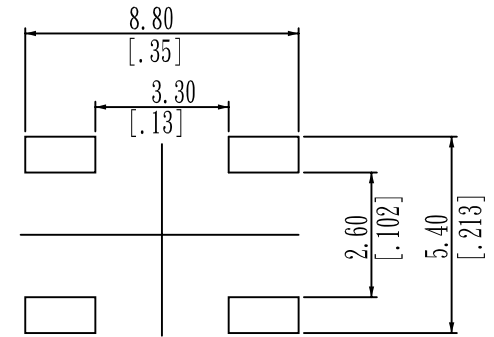
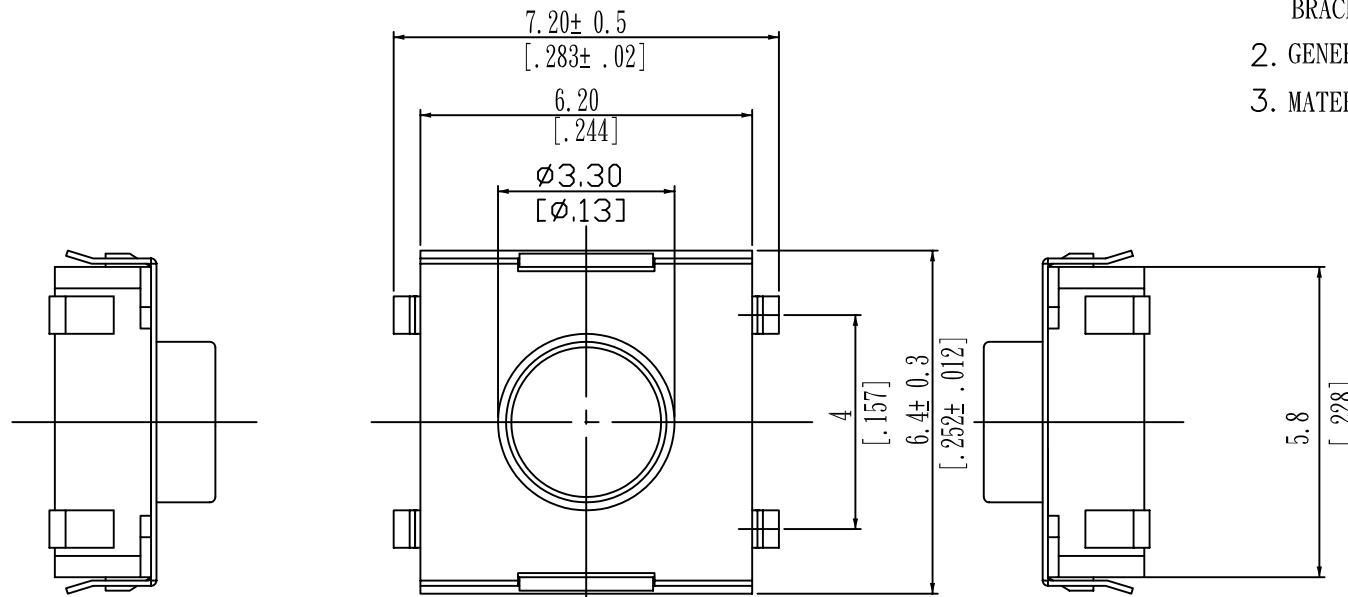
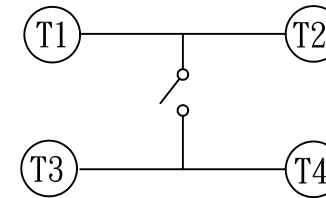
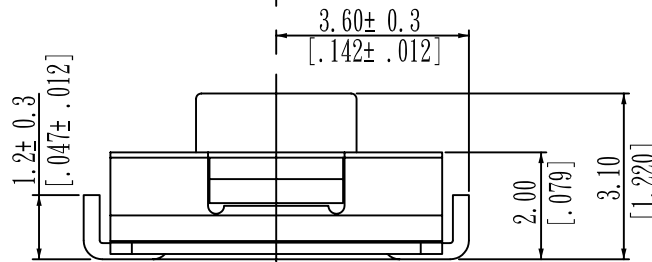


NOTE:

1. ALL DIMENSIONS ARE IN MILLIMETERS, BRACKETED DIMENSIONS ARE IN INCHES.
2. GENERAL TOLERANCES MAX. ± 0.20 mm.
3. MATERIAL & \square : SEE PAGE 3 OF 3.



P.C.B. LAYOUT



CIRCUIT DIAGRAM

ZONE	REV	DESCRIPTION	DATE	APPD.
	A	DWG.REL.		

APPD:	QTY:
CHKD:	SCALE: 10 : 1
DR: 楊佩儒	REV: A
DESIGN: 張俊新	UNITS: mm

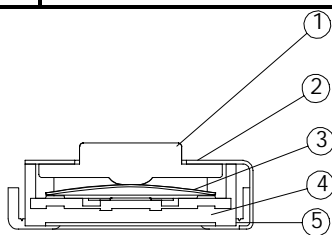
JOYNet Enterprise Co., Ltd. Technology • Profession • Service

PART NO: **DTSL-62** \square MAT'L: _____

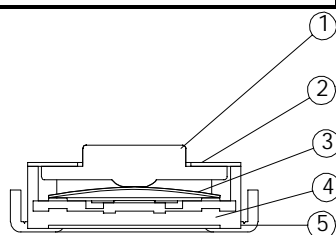
FINISH: _____

PART NAME:	TACT H=3.1 L TYPE
DWG NO:	R D 5 P 6 2 L

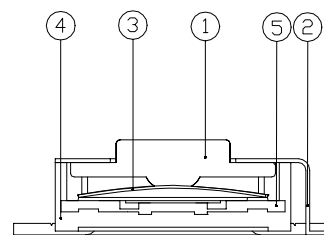
ITEM	DESC.	Q ' TY	MATERIALS	TREATMENT	REMARK
1.	STEM	1	THERMOPLASTIC 60、 61 =NYLON UL 94V-0 62 =(SILICONE)	SILICONE RUBBER HARDNESS:80°	-
2.	COVER	1	NTCKEL SILVER	-	-
3.	CONTACT	1	PHOSPHOR BRONZE	WITH SILVER CLADDING	-
4.	BASE	1	HIGH TEMP THERMOPLASTIC NYLON UL 94V-0	MOLDED BLACK	-
5.	TERMINAL	1	BRASS	WITH SILVER CLADDING	-



DTSGL-6*



DTSL-6*



DTSGF-6*

PEMARK:

PROD. NO. : D T S - 6 -

Prod. Series: _____

G = With Ground Terminal
 = Without Ground Terminal

L = With L S. M. T. Terminal

F = With F S. M. T. Terminal

Total Height: _____

0 = 2.0 mm

1 = 2.5 mm

2 = 3.1 mm [180g ONLY]

Package Style:

B =Tube

T/R=Tape & Reel

COLOR OF STEM FOR

OPERATING FORCE:

K = Black, 100g

N = Brown, 160g

R = Red, 260g

S = White, 320g

Y = Yellow,520g

*N = Brown, 180g

[TACT 3.1 ONLY]

C	工變 03009 號	
B	新增產品 TACT 3.1mm	李正哲
A	DWG.REL	李正哲
REV.	ECO. NO.	APPD.

TITLE:			APPD. :	
TACT SWITCH			CHKD. :	
PRROD.	NO.:	DTS -6 -	PR.	:楊佩儒
FILE	NO.:	E-B-CT15	REV :	C
			SHEET :1of1	