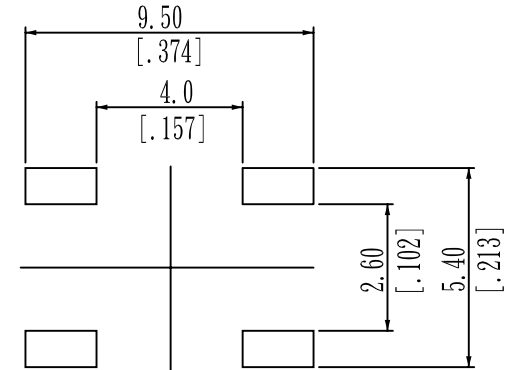
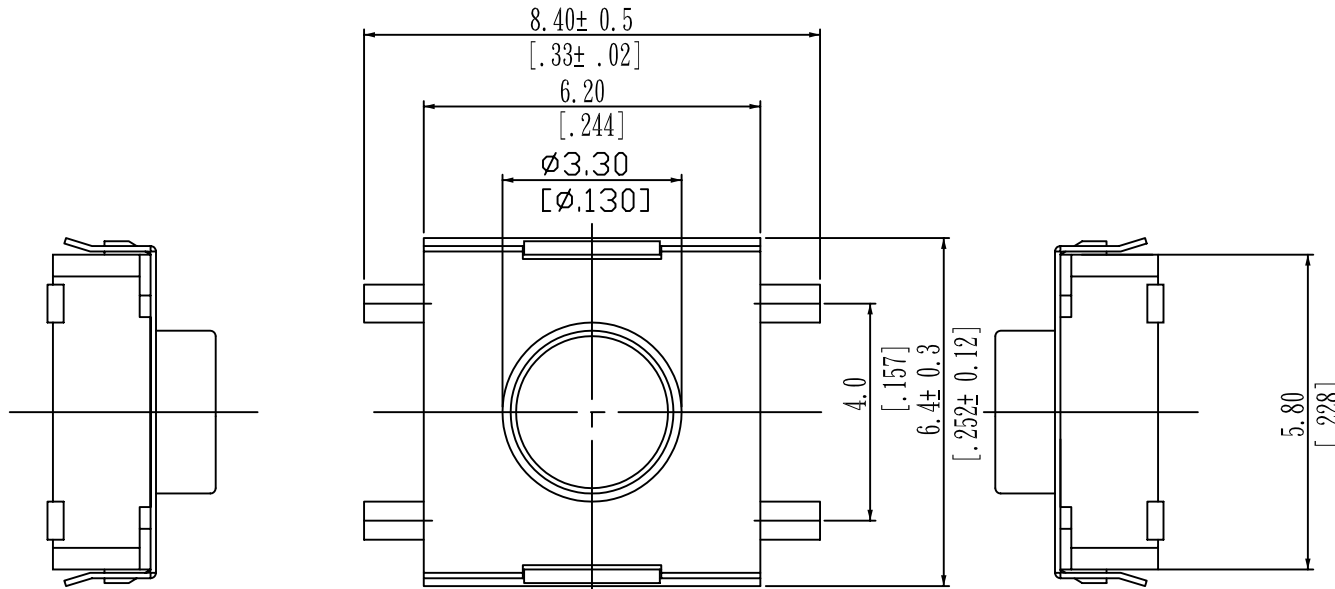
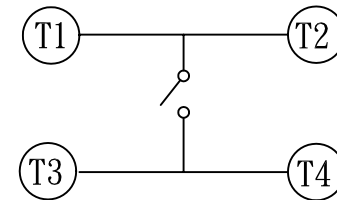
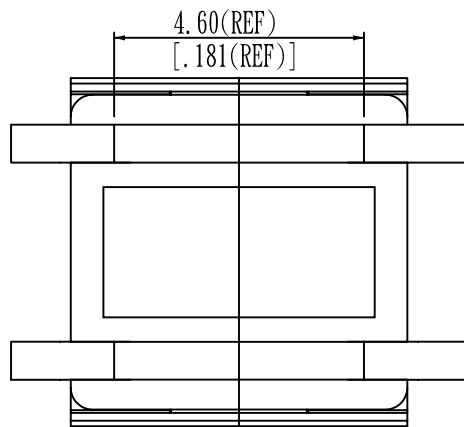
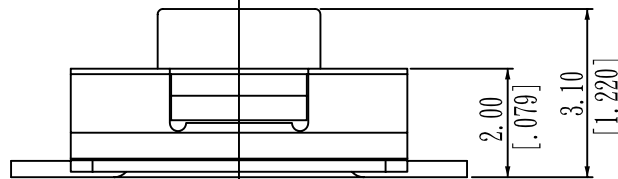


NOTE:

1. ALL DIMENSIONS ARE IN MILLIMETERS, BRACKETED DIMENSIONS ARE IN INCHES.
2. GENERAL TOLERANCES $\pm 0.20\text{mm}$.
3. MATERIAL & □ : SEE PAGE 3 OF 3.



P.C.B. LAYOUT

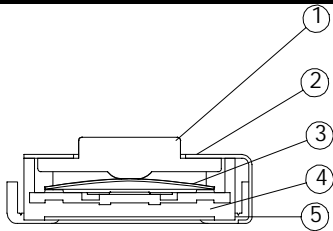


CIRCUIT DIAGRAM

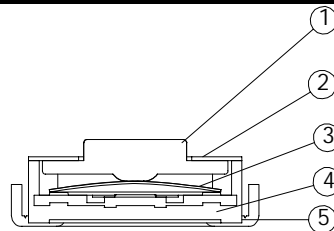
ZONE	REV	DESCRIPTION	DATE	APPD.
	A	DWG.REL.		

APPD:	Q'TY:	JOYNet Enterprise Co., Ltd. <ul style="list-style-type: none"> • Technology • Profession • Service 	PART NAME:
CHKD:	SCALE: 10 : 1		TACT 6x6 H=3.1 F TYPE
DR: 楊佩儒	REV: A	PART NO: DTSP-62□	MAT'L:
DESIGN: 張俊新	UNITS: mm	FINISH:	DWG NO: RD5P62F

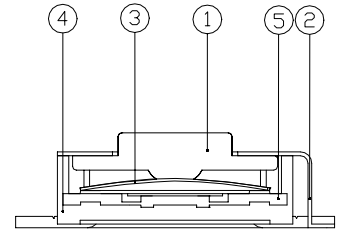
ITEM	DESC.	Q'TY	MATERIALS	TREATMENT	REMARK
1.	STEM	1	THERMOPLASTIC 60、61 =NYLON UL 94V-0 62 =(SILICONE)	SILICONE RUBBER HARDNESS:80°	-
2.	COVER	1	NTCKEL SILVER	-	-
3.	CONTACT	1	PHOSPHOR BRONZE	WITH SILVER CLADDING	-
4.	BASE	1	HIGH TEMP THERMOPLASTIC NYLON UL 94V-0	MOLDED BLACK	-
5.	TERMINAL	1	BRASS	WITH SILVER CLADDING	-



DTSGL-6*



DTSL-6*



DTSGF-6*

PEMARK:

PROD. NO. :

D T S

- 6

-

Prod. Series:

G = With Ground Terminal
= Without Ground Terminal

L = With L S. M. T. Terminal

F = With F S. M. T. Terminal

Total Height:

0 = 2.0 mm

1 = 2.5 mm

2 = 3.1 mm [180g ONLY]

Package Style:

B =Tube
T/R=Tape & Reel

COLOR OF STEM FOR
OPERATING FORCE:

K = Black, 100g

N = Brown, 160g

R = Red, 260g

S = White, 320g

Y = Yellow,520g

*N = Brown, 180g

[TACT 3.1 ONLY]

C	工變 03009 號	
B	新增產品 TACT 3.1mm	李正哲
A	DWG.REL	李正哲
REV.	ECO. NO.	APPD.

TITLE:	APPD. :	
TACT SWITCH	CHKD. :	
PRROD. NO.:DTS -6 -	PR. :楊佩儒	
FILE NO.: E-B-CT15	REV : C	SHEET :1of1