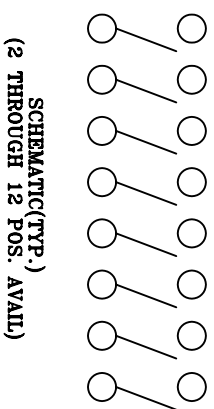
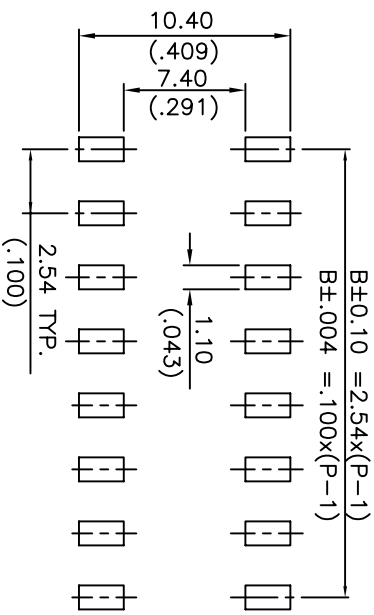
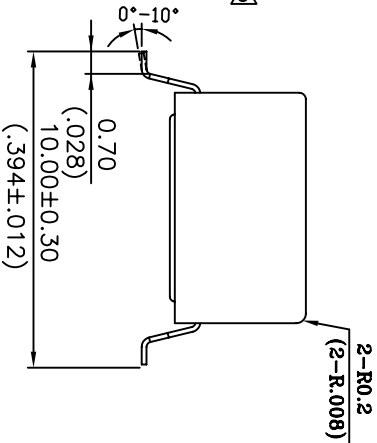
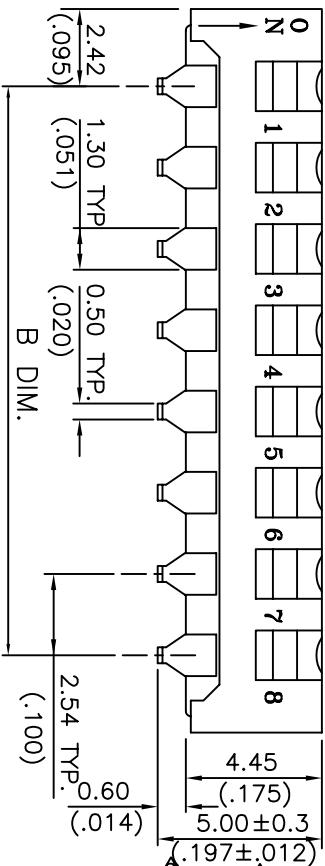
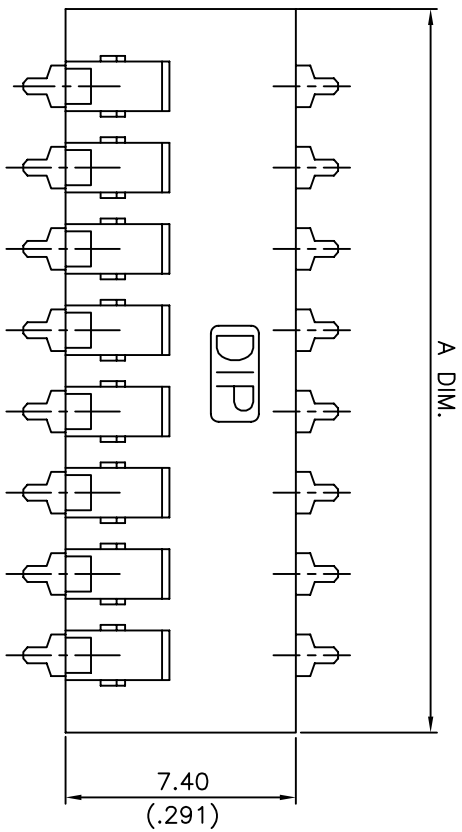


NOTE:
 1. ALL DIMENSIONS ARE MILLIMETERS.
 BRACKETED DIMENSIONS ARE IN INCHES.
 2. GENERAL TOLERANCES : DECIMAL DIMENSIONS±0.20(.008)
 3. MATERIAL : SEE PAGE 3 OF 3 .



POS NO.	A DIM.	B DIM.
12	32.77(1.290)	27.94(1.100)
*10	27.69(1.090)	22.86(.900)
9	25.15(.990)	20.32(.800)
*8	22.61(.890)	17.78(.700)
7	20.07(.790)	15.24(.600)
*6	17.53(.690)	12.70(.500)
5	14.99(.590)	10.16(.400)
*4	12.45(.490)	7.62(.300)
3	9.91(.390)	5.08(.200)
*2	7.37(.290)	2.54(.100)

* AVAILABLE.

ZONE	REV	DESCRIPTION	DATE	APPD.
A				
B				
C				
D				
E				
F				
G				
H				

APPD:	QTY:	SCALE:	6:1	UNITS:	mm	PART NO.:	PM 00 09 00	MAT'L:		PART NAME:	IC PIANO TYPE DIP SWITCH(SMT STYLE)
CHKD:		REV:	C							DWG NO.:	RD8P8M
DR:	14.14.96										
DESIGN:	14.14.96										

JOYNet Enterprise Co., Ltd.
 Technology
 Profession
 Service