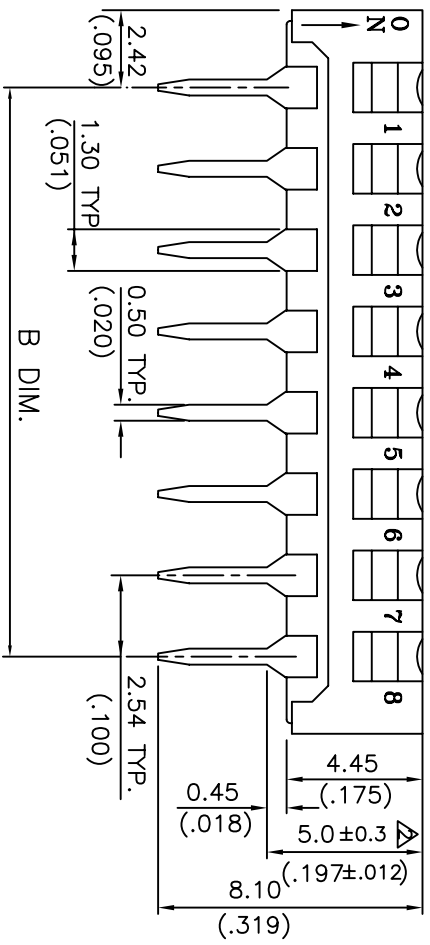
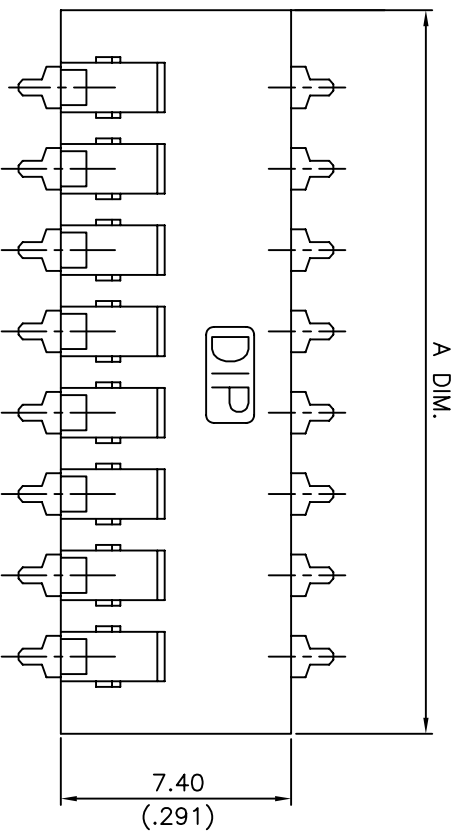
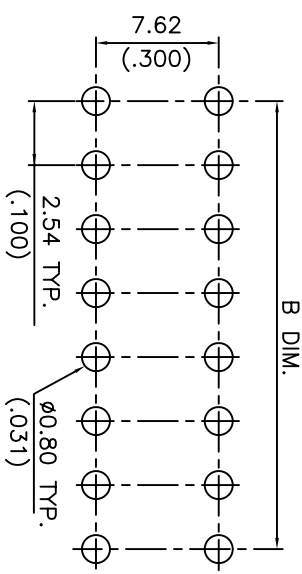


**NOTE:**  
 1. ALL DIMENSIONS ARE MILLIMETERS.  
 BRACKETED DIMENSIONS ARE IN INCHES.  
 2. GENERAL TOLERANCES : DECIMAL DIMENSIONS±0.20[.008]  
 3. MATERIAL : SEE PAGE 3 OF 3 .



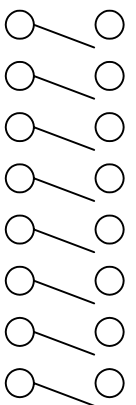
12	32.77(1.290)	27.94(1.100)
*10	27.69(1.090)	22.86(.900)
9	25.15(.990)	20.32(.800)
*8	22.61(.890)	17.78(.700)
7	20.07(.790)	15.24(.600)
*6	17.53(.690)	12.70(.500)
5	14.99(.590)	10.16(.400)
*4	12.45(.490)	7.62(.300)
3	9.91(.390)	5.08(.200)
*2	7.37(.290)	2.54(.100)
POS NO.	A DIM.	B DIM.

\* AVAILABLE.

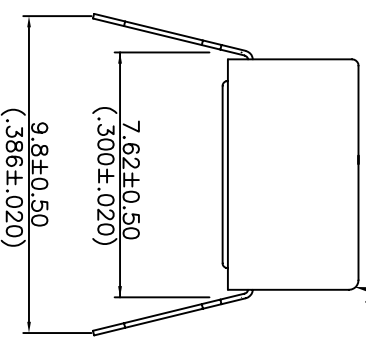


**RECOMMEND PCB LAYOUT**

2-R0.2  
 (2-R.008)



SCHEMATIC(TYP.)  
 (2 THROUGH 12 POS. AVAIL)



APPD:		QTY:	
CHKD:		SCALE:	6:1
DR:	12.16.00	UNITS:	mm
DESIGN:	JACKY WU	PART NO.:	P1000900
DATE:	09.30.96	FINISH:	
APPD:	P2A.421		
DESCRIPTION:	DWG. REL. 4.85-8.0 ← 5.0±0.3		

APPD:		QTY:	
CHKD:		SCALE:	6:1
DR:	12.16.00	UNITS:	mm
DESIGN:	JACKY WU	PART NO.:	P1000900
DATE:	09.30.96	FINISH:	
APPD:	P2A.421		
DESCRIPTION:	DWG. REL. 4.85-8.0 ← 5.0±0.3		
ZONE/REV:	A		

**JOYNet Enterprise Co., Ltd.**  
 Technology \* Professions \* Service  
 PART NAME: IC PLANO TYPE DIP SWITCH  
 RD8P81