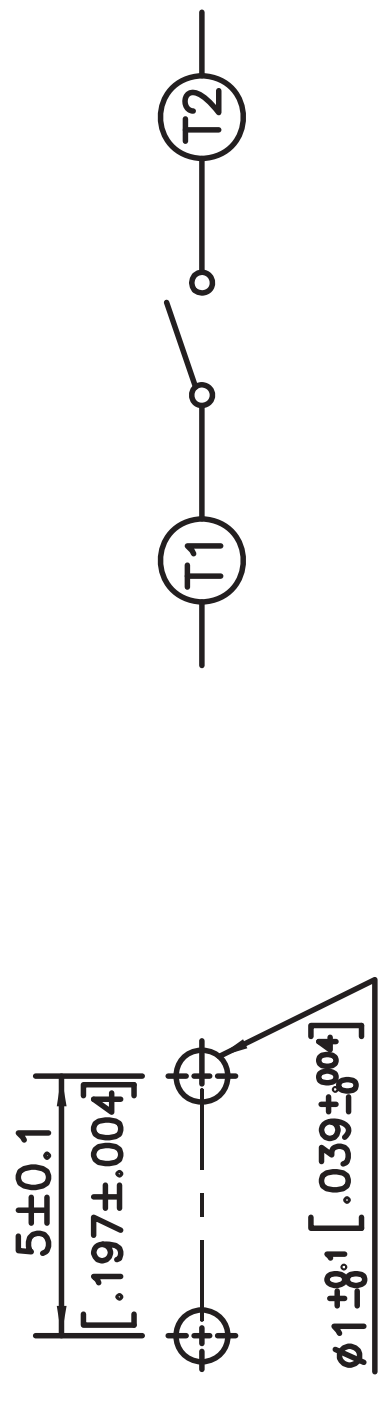
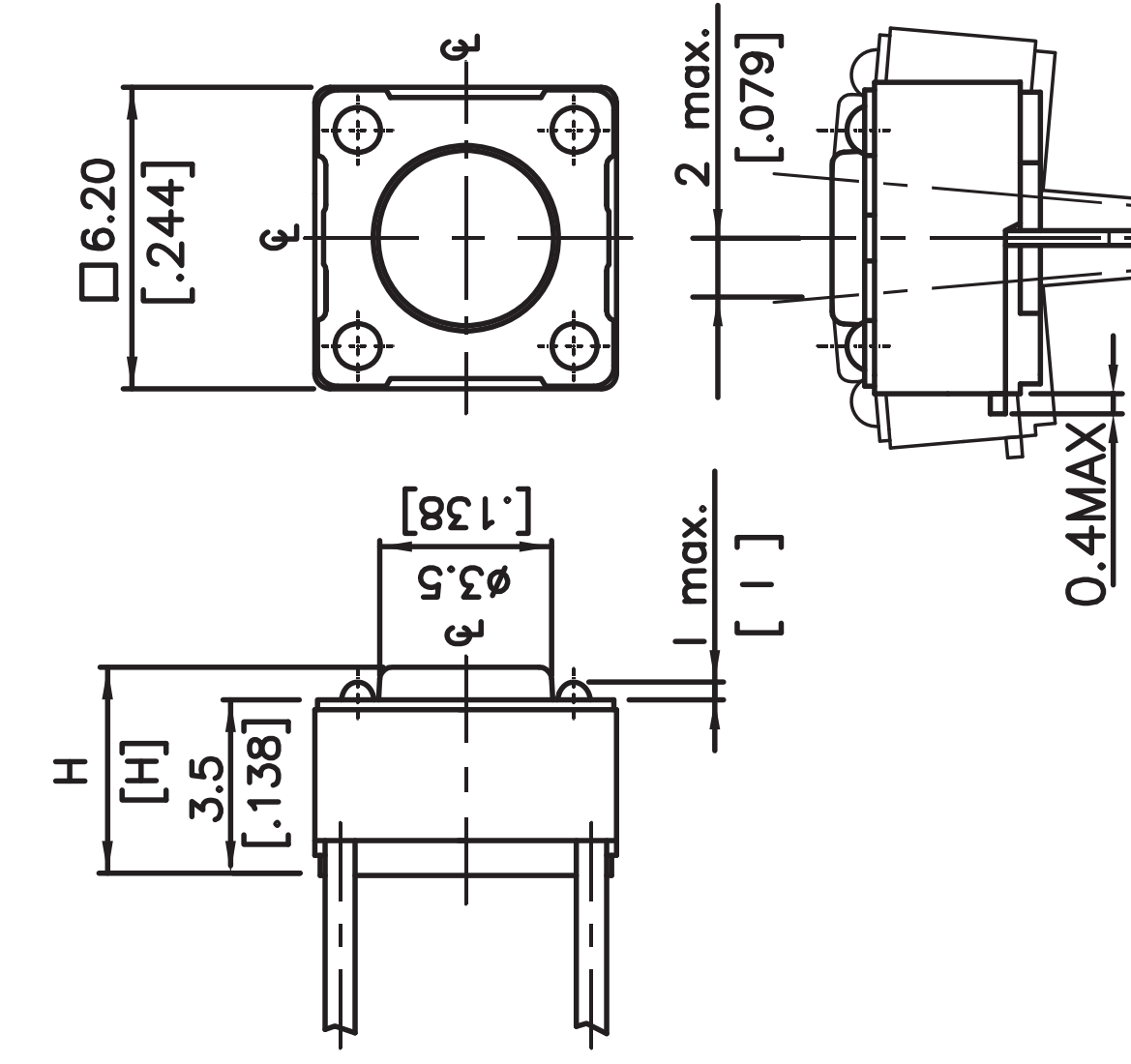


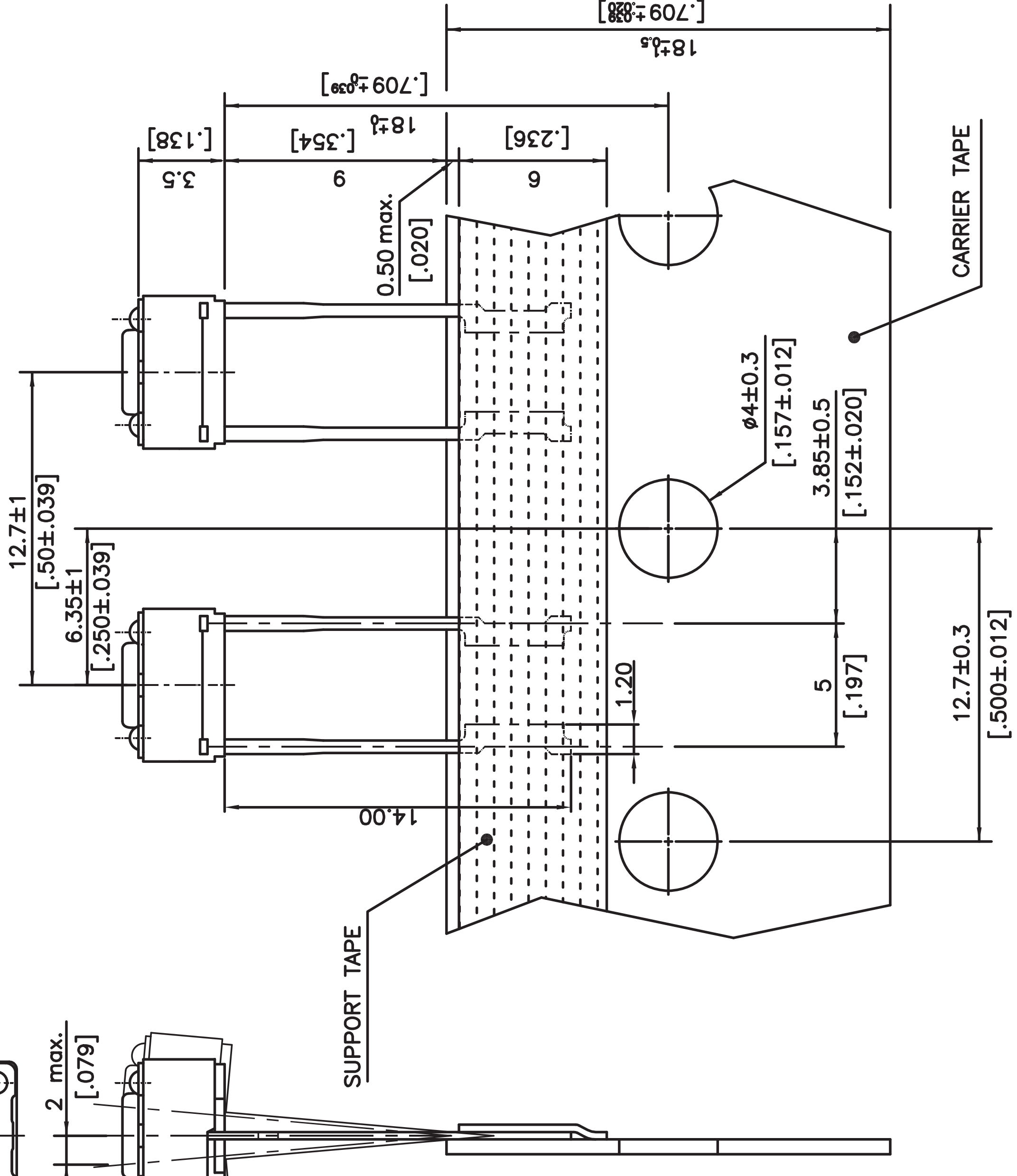
1 2 3 4 5 6 7 8 9 10  
 A B C D E F G H

DTST-62~66□-V	0.6 MAX	.0236 MAX
DTST-61□-V	0.5 MAX	.0197 MAX
PROD. NO.	I	INCHES.



P.C.B LAYOUT  
 CIRCUIT DIAGRAM

NOTE:  
 1. ALL DIMENSIONS ARE IN MILLIMETERS,  
 BRACKETED DIMENSIONS ARE IN INCHES.  
 2. GENERAL TOLERANCES MAX.±0.20mm.



DTST-66□-V	13.0 [0.512]
DTST-65□-V	9.5 [0.374]
DTST-63□-V	7.0 [0.275]
DTST-62□-V	5.0 [0.197]
DTST-61□-V	4.3 [0.169]
PROD. NO.	H

ZONE/REV	DESCRIPTION	DATE	APPD.
A	DWG. REL.	02.22'05	邱明義

APPD:	QTY:	PART NAME: TACT TAPED RADIAL SWITCHES	
CHKD:	SCALE: 4:1	JOYNet Enterprise Co., Ltd.	
DR: 楊佩儒	REV: A	PART NO:	DWG NO: R D 5 P 6 T 1 - V
DESIGN:	UNITS: mm	MAT'L:	FINISH: