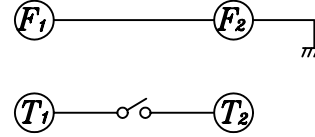
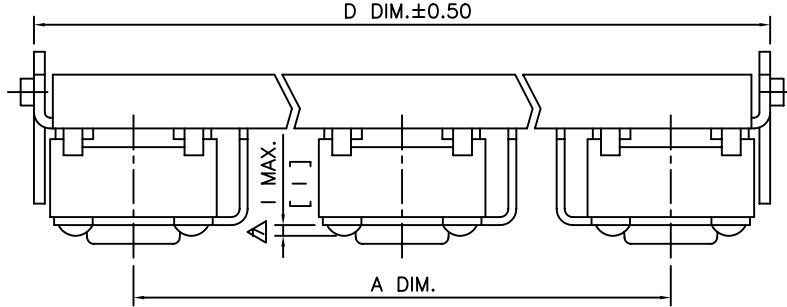
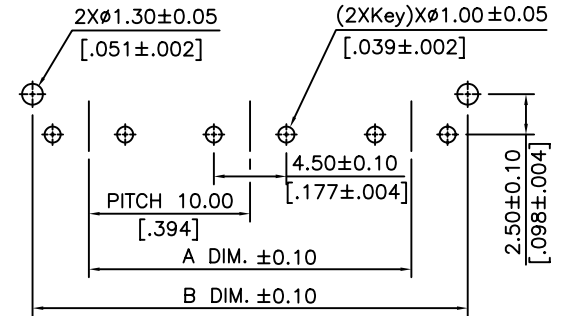


**NOTE:**

1. ALL DIMENSIONS ARE IN MILLIMETERS, BRACKETED DIMENSIONS ARE IN INCHES.
2. GENERAL TOLERANCES MAX. ±0.20mm.
3. MATERIAL & □-1□ : SEE PAGE 3 OF 3.
4. DETAILS OF DTSU-64 $\frac{1}{8}$ □ OUTER DIMENSIONS: REFER TO THE DWG.-DTSU-64□□.

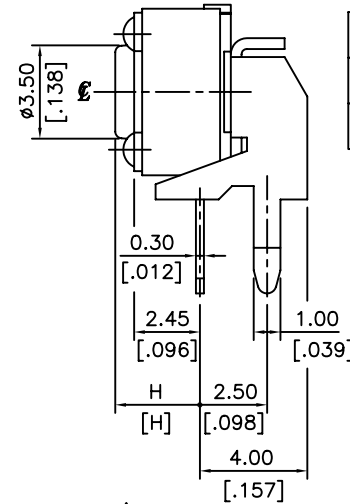
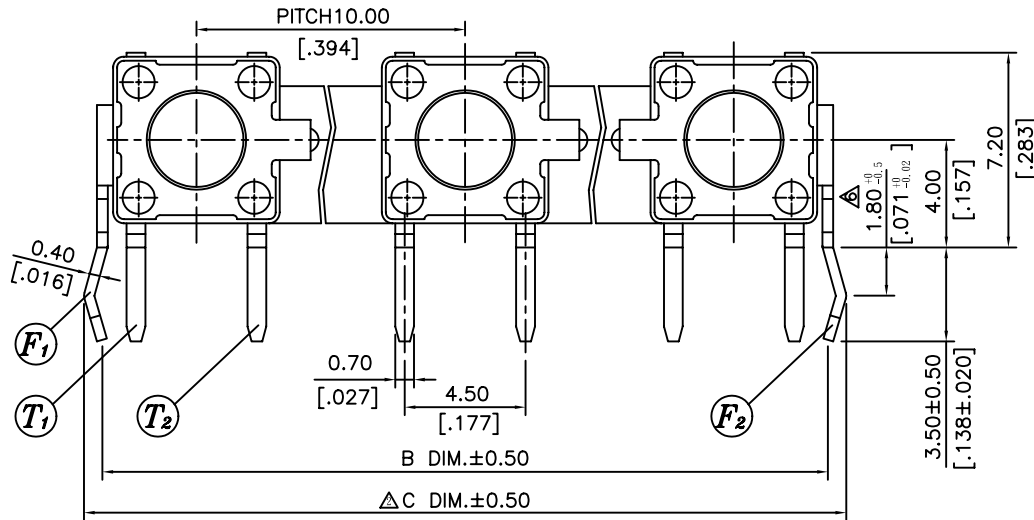


**CIRCUIT DIAGRAM.**



**P.C.B. LAYOUT 3:1**

DTSU-62~66□ 1□	0.5 MAX	.02 MAX
DTSU-61□-1□	0.4 MAX	.016 MAX
PROD. NO.	I	INCHES



**DIMENSION.**

DTSU-66□-1□	11.85 [.467]
DTSU-65□-1□	8.35 [.329]
DTSU-64 $\frac{1}{8}$ □-1□	6.15(SQ) [.242]
DTSU-63□-1□	5.85 [.230]
DTSU-62□-1□	3.85 [.152]
DTSU-61□-1□	3.15 [.124]
PROD. NO.	DIM. H

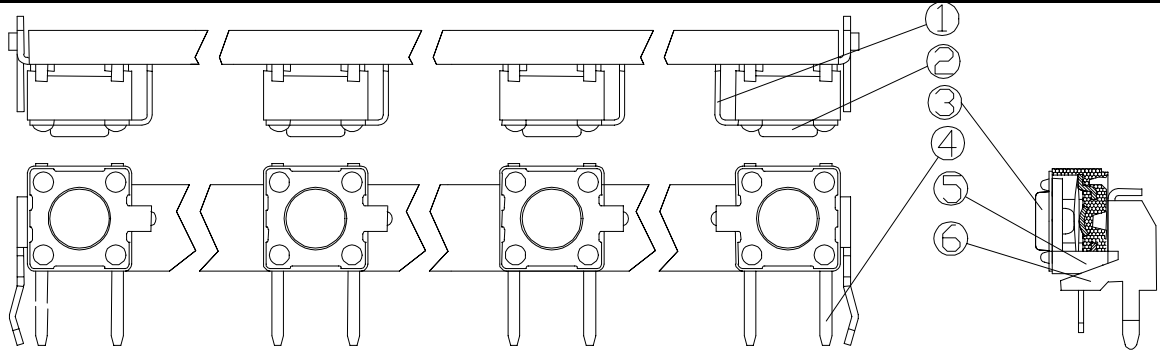
**DIMENSION.**

DIM.	KEYS.	2 KEYS. (-10)	3 KEYS. (-11)	4 KEYS. (-12)	5 KEYS. (-15)	6 KEYS. (-13)	7 KEYS. (-14)
A DIM.		10	20	30	40	50	60
B DIM.		17	27	37	47	57	67
ΔC DIM.		18.7	28.7	38.7	48.7	58.7	68.7
ΔD DIM.		17.4	27.4	37.4	47.4	57.4	67.4

△G	變更鉗合尺寸		
△F	增訂尺寸公差 $\frac{+0}{-.5}$	06.02'97	楊豐富
△E	增訂△尺寸	02.11'97	楊豐富
△D	增訂△尺寸	01.08'97	楊豐富
△C	增訂△尺寸	08.12'96	楊豐富
△B	增訂尺寸 C DIM	07.15'95	施教郎
△A	<b>DWG.REL.</b>	11.09'94	施教郎
ZONE	REV	DESCRIPTION	DATE APPD.

APPD:	Q'TY:		PART NAME: <b>6X6 TYPE</b>
CHKD:	SCALE: <b>5 : 1</b>		(MULTIPLE TACT SWITCH)
DR:	REV: G	UNITS: mm	DWG NO:
DESIGN:		PART NO: <b>DTSU-6□□-1□</b>	<b>R D 5 P 6 U 1</b>
		MAT'L:	
		FINISH:	

ITEM	DESC.	Q'TY	MATERIALS	TREATMENT	REMARK
1.	COVER		STEEL	TIN PLATED 100u" MIN	②
2.	STEM		HIGH - TEMP THERMOPLASTIC NYLON UL 94V-0	→	①②
3.	CONTACT		PHOSPHOR BRONZE	WITH SILVER CLADDING	②
4.	TERMINAL		BRASS	WITH SILVER CLADDING	②
5.	BASE		HIGH - TEMP THERMOPLASTIC PBT UL 94V-0	MOLDED BLACK	②
6.	FRAME CASE	1	STEEL	TIN PLATED	



Remark: ① Prod. No. : D T S - 6

Prod. Series:  
U= Multiple Type

See Chart On Page 1 Of 3

Color Of Stem For  
Operating Force:  
K = Black ,100g  
N = Brown ,160g  
R = Red ,260g  
S = Salmon,320g  
Y = Yellow,520g

Amounts Of Keys:

0 = 2 keys  
1 = 3 keys  
2 = 4 keys  
3 = 6 keys  
4 = 7 keys  
5 = 5 keys

Kind Of Pitch:

1 = 10mm/Pitch  
2 = 15mm/Pitch  
3 = 18mm/Pitch  
4 = 20mm/Pitch  
5 = 14mm/Pitch

(The last two descriptions are only use in Multiple type )

Example: DTSU-61K-12 is a 10mm pitch, 4keys Multiple Tactile Switch with 6x6 100g and the measure "H" is 3.15mm.

②The amounts of cover, stem, contact, terminal and base are based on key number.

H	工<工變>99037	楊豐富
G	工<聯>8015	楊豐富
F	工<聯>8001 號	楊豐富
E	ADD	楊豐富
D	工連 019 號	施教郎
C	工連 007 號	施教郎
B	工連 027 號	施教郎
A	DWG.REL	施教郎
REV.	ECO. NO.	APPD.

TITLE:	APPD. : 楊豐富
MULTIPLE TACTILE SWITCH	CHKD. : 吳振中
PRROD.NO.: DTSU- -	PR. : 楊佩儒
FILE NO.: E-B-CT06	REV : H SHEET : 1 of 1