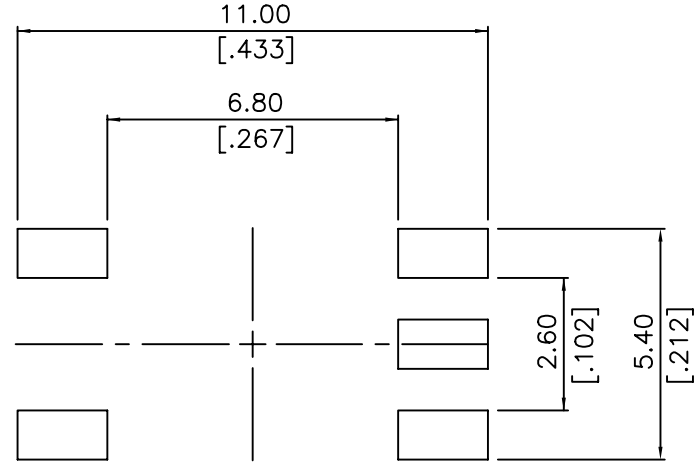
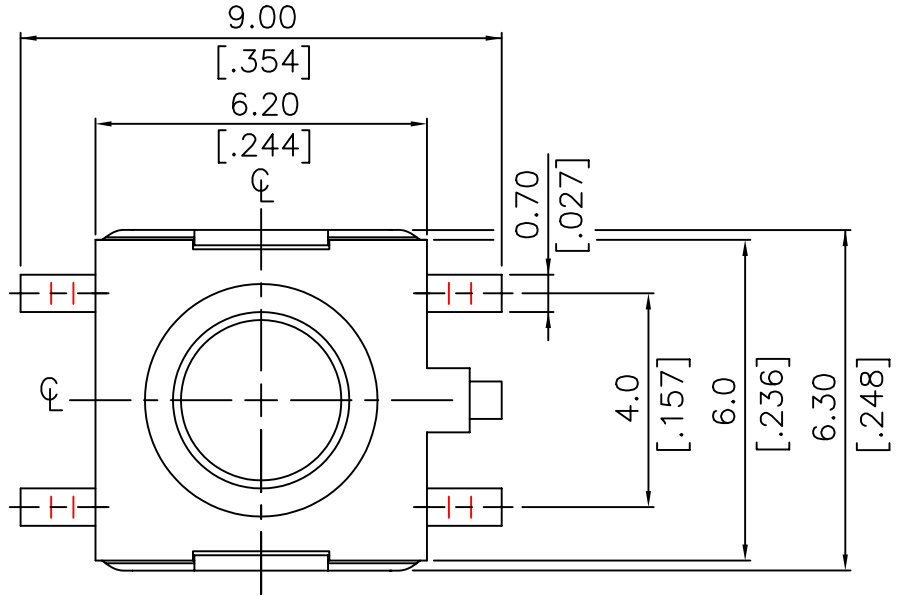
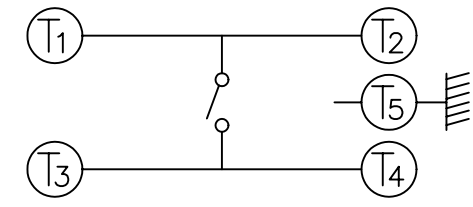
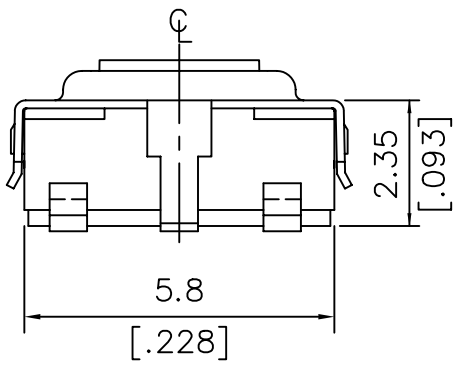
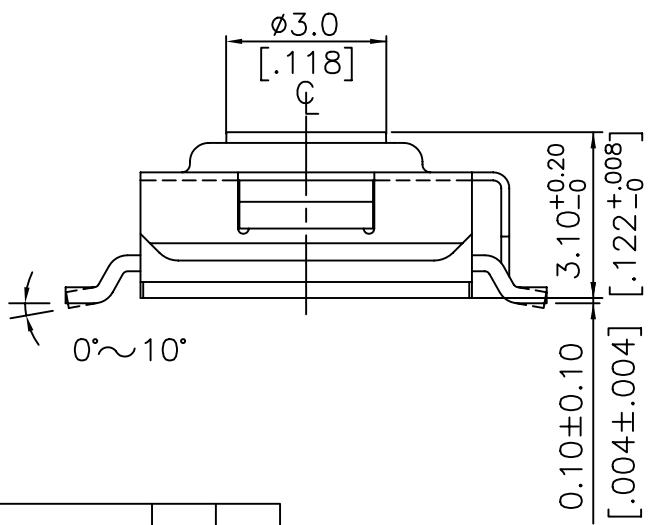


NOTE:

- 1. ALL DIMENSIONS ARE IN MILLIMETERS, BRACKETED DIMENSIONS ARE IN INCHES.
- 2. GENERAL TOLERANCES MAX. ±0.20mm.
- 3. MATERIAL & □ : SEE PAGE 3 OF 3.



P.C.B. LAYOUT



CIRCUIT DIAGRAM

△				
△				
△				
△	A	DWG.REL.		
ZONE	REV	DESCRIPTION	DATE	APPD.

APPD:	QTY:
CHKD:	SCALE: 10 : 1
DR: ????	REV: A
DESIGN: ±i<T?s	UNITS: mm

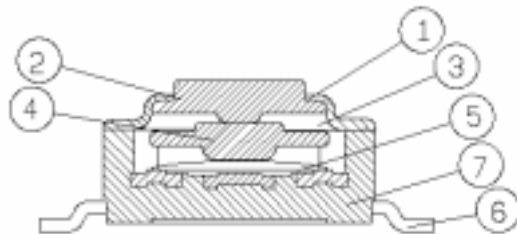
久益鑫企業有限公司

 JOYNet Enterprise Co., Ltd.

PART NO:	MAT'L:
DTSCMW-66□	FINISH:

PART NAME:
TACT SWITCH 6X6 SMT / WASHABLE TYPE (H=3.1mm)
DWG NO:
R D 5 P 6 W 13

ITEM	DESC.	Q'TY	MATERIALS	TREATMENT	REMARK
1.	COVER	1	STAINLESS STEEL	NONE	
2.	STEM	1	HIGH - TEMP THERMOPLASTIC NYLON UL 94V-0	→	①
3.	ADHESIVE TAPE	1	TEFLON	NONE	
4.	METAL STEM	1	BRASS	NICKEL PLATED	
5.	CONTACT	1	PHOSPHOR BRONZE	WITH SILVER CLADDING	
6.	TERMINAL	1	BRASS	WITH SILVER CLADDING	
7.	BASE	1	HIGH-TEMP THERMOPLASTIC NYLON UL 94V-0	MOLDED BLACK	



REMARK:

① Prod. No. : D T S W - 6 6 -

G = With Ground Terminal

Termination Type :

H = Through Hole

M = S.M.T.

J = J Tape S.M.T.

With Washable Type

Stem Height :

66 = 3.1 mm

Package Style:

= Regular

T\R = Tape & Reel

B = Tube

Color Of Stem For
Operating Force :

N = Brown, 160g.

G	新增 DTSGMW-66	
F	工<工變>00038	楊豐富
E	工(聯)8015	楊豐富
D	工<聯>8001 號	楊豐富
C	工(變聯)7013 號	楊豐富
B	工聯 009 號	施教郎
A	DWG.REL	施教郎
REV.	ECO. NO.	APPD.

TITLE: TACTILE SWITCH WITH WASHABLE TYPE		APPD. :
PRROD. NO. :DTS W-66		CHKD. :
FILE NO. :E-B-CT10	REV : G	PR. : 楊佩儒
		SHEET: 1of1