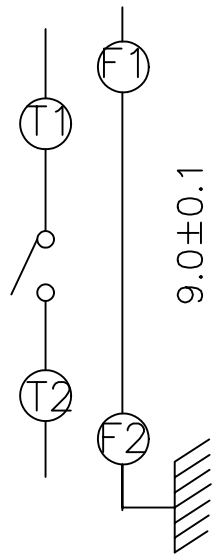
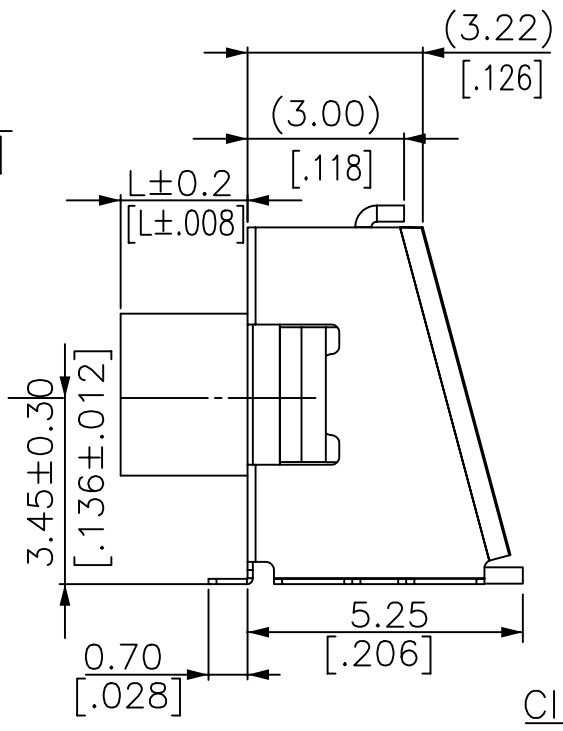
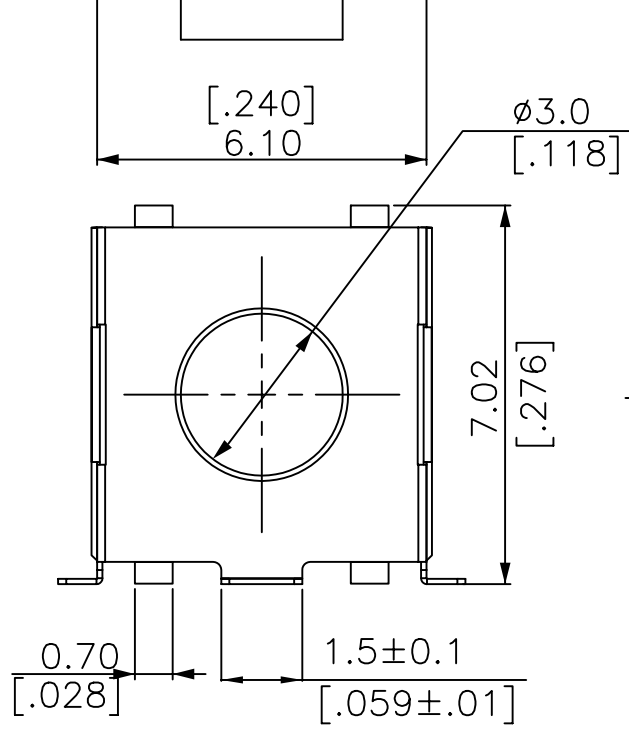
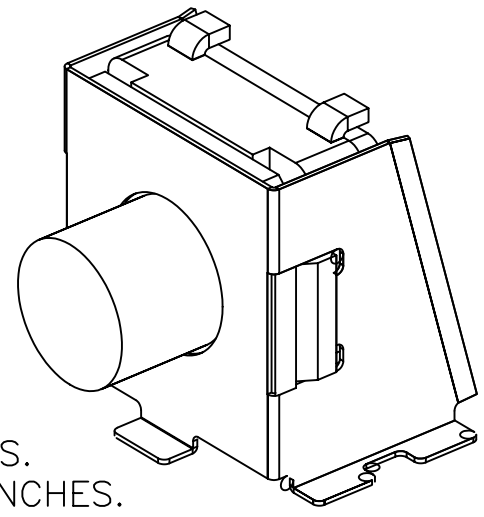


NOTE:

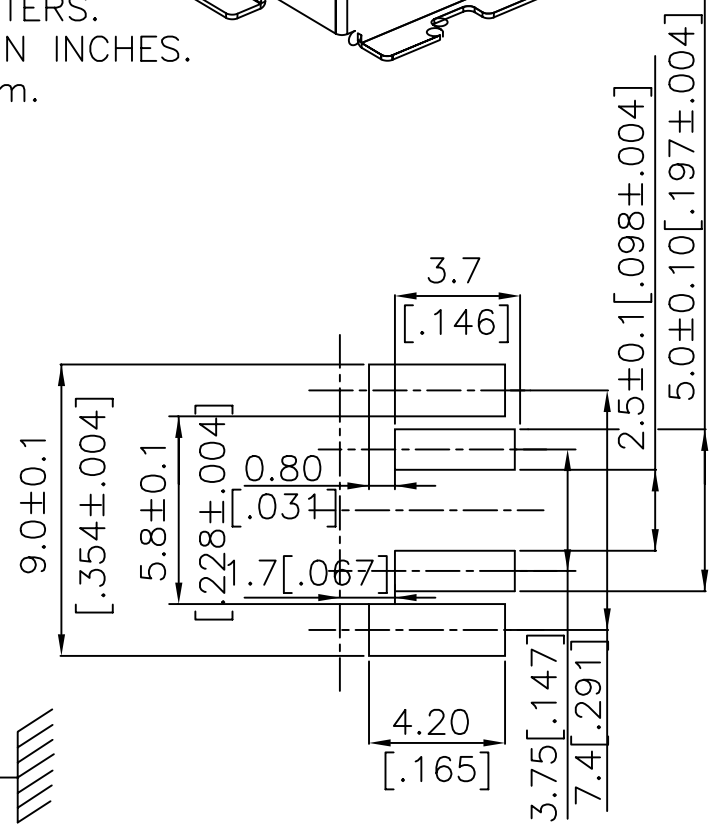
1.

PROD. NO.	L(mm)	L(inch)
TA(S)-600	0.00	0.0000
TA(S)-608	0.80	0.0314
TA(S)-610	1.00	0.0393
TA(S)-623	2.35	0.0925

2. ALL DIMENSIONS ARE IN MILLIMETERS.
 BRACKETED DIMENSIONS ARE IN INCHES.
 3. GENERAL TOLERANCES ±0.20mm.



CIRCUIT DIAGRAM

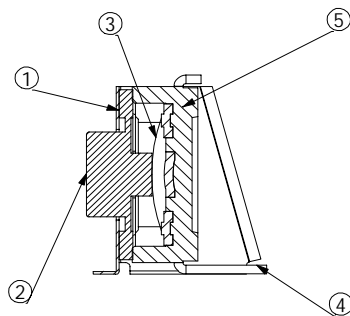


P.C.B. LAYOUT

ZONE	REV.	DESCRIPTION	DATE	APPD.
	C	新增TA(S)-6 180g產品		
	B	原料號DTSMA(S)-6**R變更TA(S)-6**R	04.26	李正哲
	A	DWG.REL	04.26	李正哲

APPD:	Q'TY:		PART NAME:
CHKD:	SCALE: 10:1		TA(S)-□□□ 6
DR: 楊佩儒	REV: C	UNITS: mm	DWG NO:
DESIGN: 張文逸		PART NO: TA(S)□□□	R D 5 P 6 M A
		MAT'L:	
		FINISH:	

ITEM	DESC.	Q'TY	MATERIALS	TREATMENT	REMARK
1.	COVER	1	NTCKEL SILVER	-	
2.	SEALED RUBBER	1	SILICONE RUBBER HARDNESS :70、60°	RED and BROWN	
3.	CONTACT	1	PHOSPHOR BRONZE	WITH SILVER CLADDING	
4.	TERMINAL	1	BRASS	WITH SILVER CLADDING	
5.	BASE	1	HIGH – TEMP THERMOPLASTIC NYLON UL 94V-0	MOLDED BLACK	



Remark:

① PROD. NO. : T A - 6 - -

Termination Type: _____
A=Right Angle Type

Package Style: _____
=Bulk Pack
T\R= Tape & Reel

Prod. No.: _____
S=Support

Operating Force: _____
R = Red, 260g
N = BROWN, 180g

Stem Height: _____
00 = 0.0 mm
08 = 0.8 mm
10 = 1.0mm
23 = 2.35 mm

D	工變 03009	
C	新增 180g 產品	李正哲
B	工(工變)01024	李正哲
A	DWG.REL.	李正哲
REV.	ECO. NO.	APPD

TITLE: TACTILE SWITCH WITH WASHABLE TYPE		APPD. :
PRROD.NO:TA(S)-6 -		CHKD. :
FILE NO.: E-B-CT17		PR. : 楊佩儒
		REV: D SHEET: 1of 1