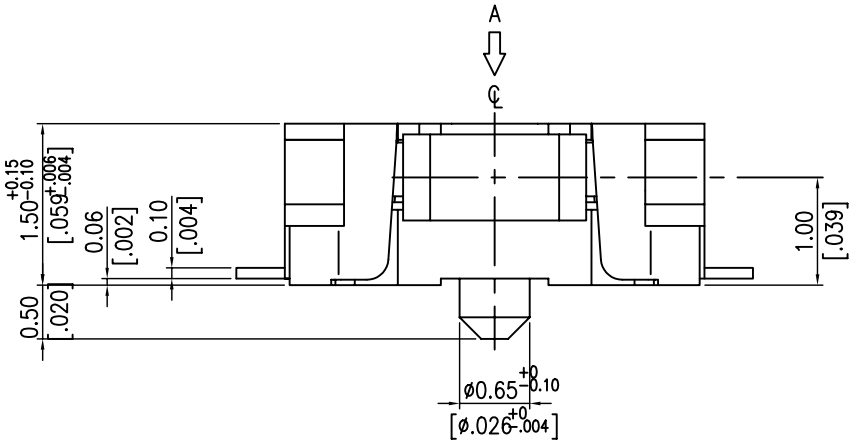
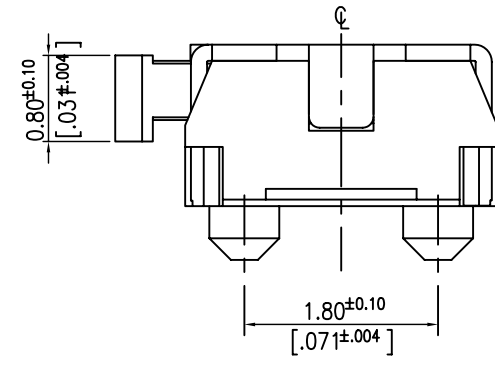
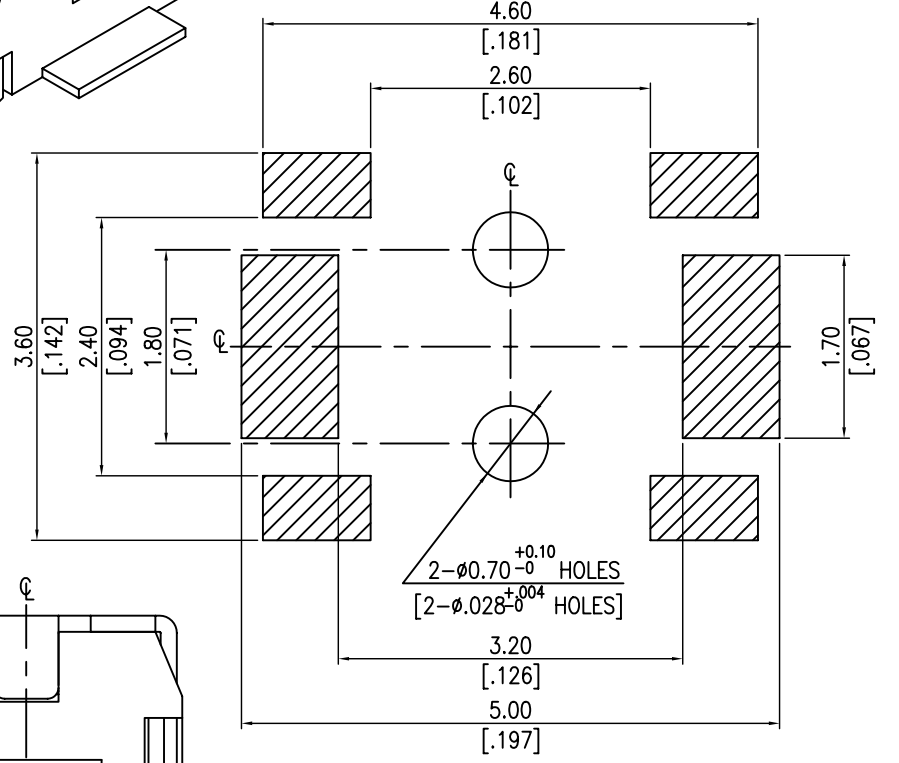


P.C.B. LAYOUT
(VIEW FROM THE DIRECTION A)

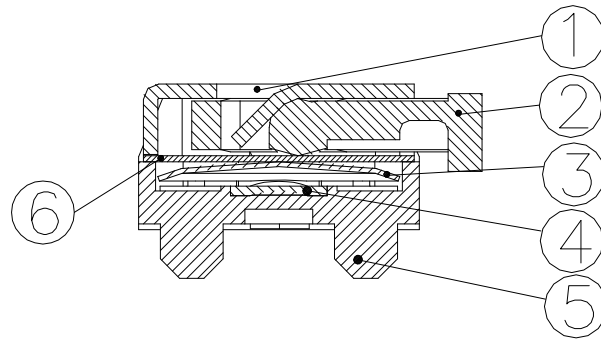


NOTE:
1. ALL DIMENSIONS ARE IN MILLIMETERS.
BRACKETED DIMENSIONS ARE IN INCHES.
2. GENERAL TOLERANCES ±0.2mm

ZONE	REV.	DESCRIPTION	DATE	APPD.

APPD:	Q' TY:		PART NAME:
CHKD:	SCALE: 20/1		TACT SWITCH
DR:	REV: A1	UNITS: mm	DWG NO:
DESIGN:		PART NO: MPTCFG	MPTCFG
		MAT L:	
		FINISH:	

ITEM	DESC	Q'TY	METERIALS	TREATMENT	REMARK
1	COVER	1	STAINLESS STEEL	WITH TIN PLATING	-
2	STEM	1	HIGH - TEMP THERMOPLASTIC LCP	NONE	-
3	CONTACT	1	STAINLESS STEEL	WITH SILVER CLADDING	-
4	TERMINAL	1	PHOSPHOR BRONZE	WITH SILVER CLADDING	-
5	BASE	1	HIGH - TEMP THERMOPLASTIC LCP	MOLDED WHITE	-
6	TAPE	1	TEFLON	-	-



REMARK :

①PROD. NO. :

M P T -

PACKAGE STYLE:
T/R = TAPE & REEL

FRONT PUSH DOWN STEM HEIGHT :
=SIDE STEM
P1 = 1.5 mm
P2 = 2.0 mm

=Without Ground Terminal
G =Ground Terminal

F=With Flat Terminal
L=With Bending Terminal

=Without Post
C =With Post

Side/Vertical Push Switch

A1	DWG.REL	
REV.	ECO. NO.	APPD.

TITLE :	APPD. :
SIDE VERTICAL PUSH SWITCH	CHKD. :
PRROD. NO. : MPT- -	PR. : 楊佩儒
FILE NO. : E-B-CT24	REV. : A1 SHEET : 1/1