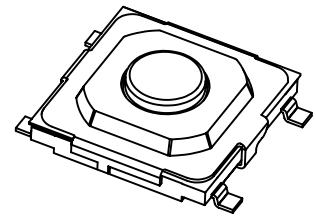
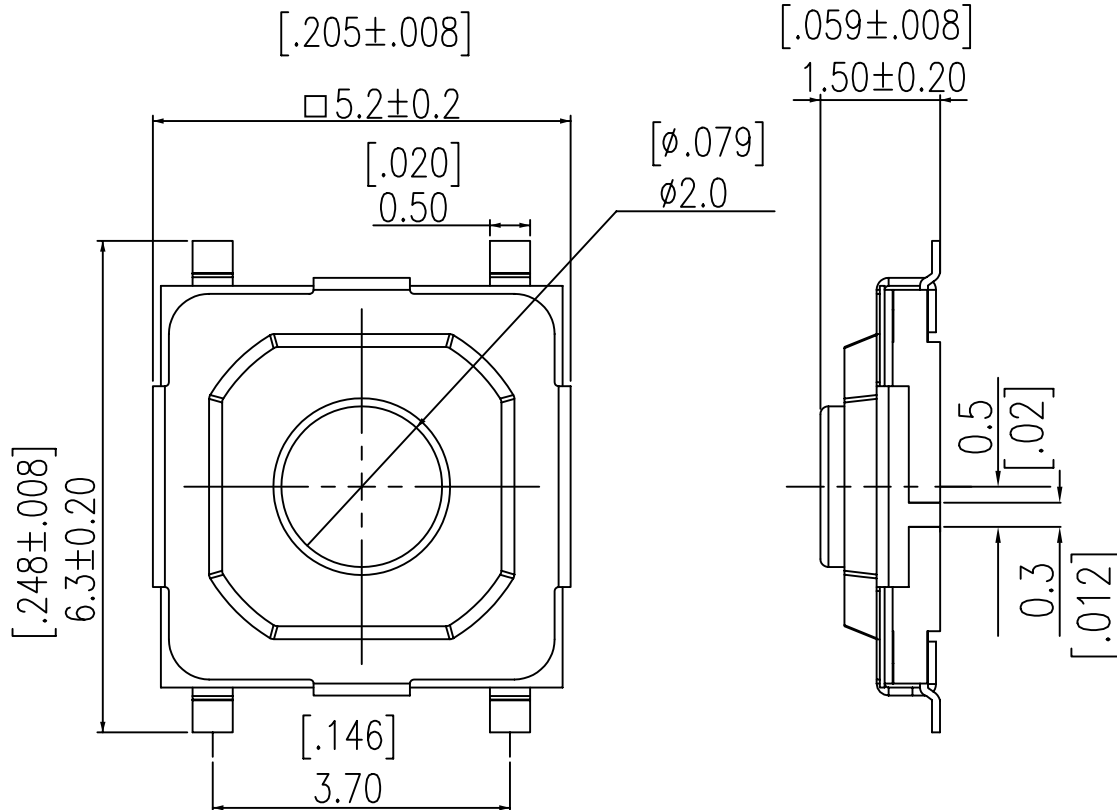


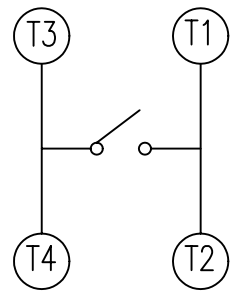
1 2 3 4 5 6 7 8 9 10

A
B
C
D
E
F
G
H

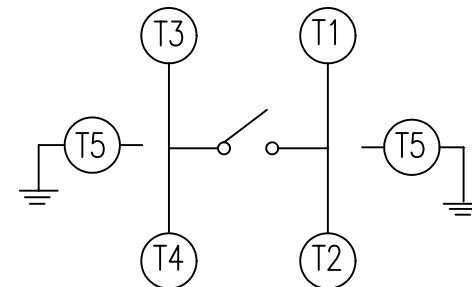


TMG-53

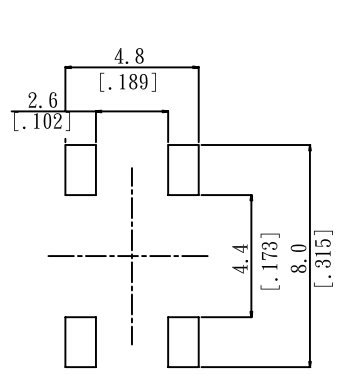
NOTE:
 1. ALL DIMENSIONS ARE IN MILLIMETERS.
 BRACKETED DIMENSIONS ARE IN INCHES.
 2. GENERAL TOLERANCES ±0.20mm.
 3. WEIGHT: (TMG-534) ~ 0.0535 ± 0.02g



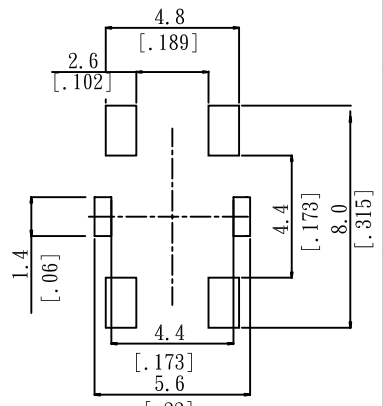
WITHOUT GROUND
CIRCUIT DIAGRAM



WITH GROUND
CIRCUIT DIAGRAM



WITHOUT GROUND
P.C.B LAYOUT



WITH GROUND
P.C.B LAYOUT

附註一

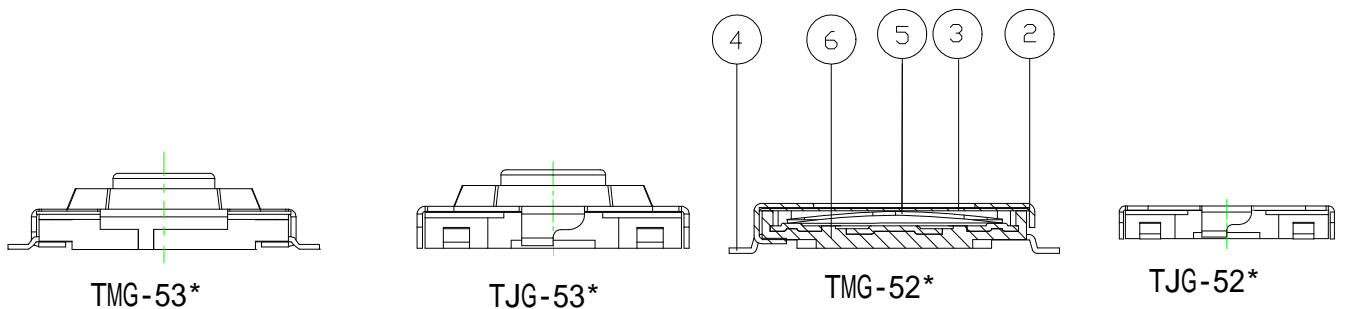
| PART NO | OF |
|---------|-------|
| TMG-533 | 160gf |
| TMG-534 | 260gf |

| ZONE | REV. | DESCRIPTION | DATE | APPD. |
|------|------|---------------------------|----------|-------|
| | D | 刪除TM-53圖形 | | |
| | C | 新增260gf產品 | 11.02'01 | 李正哲 |
| | B | 變更料號原DTSM-5153變更TM(G)-533 | 07.24'01 | 李正哲 |
| | A | DWG.REL | 90.06.01 | 李正哲 |

| | | | | |
|---------|-------------|-----------|---|---------|
| APPD: | QTY: | | Technology • Profession • Service | |
| CHKD: | SCALE: 15:1 | | PART NAME: | |
| DR: | REV: D | UNITS: mm | PART NO: | MAT'L: |
| DESIGN: | | | 附註一 | FINISH: |

| | |
|------------|-----------|
| PART NAME: | TMG-53* |
| DWG NO: | R D 5 P 5 |

| ITEM | DESC. | Q'TY | MATERIALS | TREATMENT | REMARK |
|------|---------------|------|-------------------------------------|----------------------|--------|
| 1. | METAL STEM | 1 | BRASS | NICKEL PLATED | - |
| 2. | COVER | 1 | NICKEL SILVER | NONE | - |
| 3. | ADHESIVE TAPE | 1 | TEFLON | NONE | - |
| 4. | TERMINAL | 1 | BRASS | WITH SILVER CLADDING | - |
| 5. | CONTACT | 1 | PHOSPHOR BRONZE STAINLESS STEEL | WITH SILVER CLADDING | - |
| 6. | BASE | 1 | HIGH - TEMP THERMOPLASTIC LCP | MOLDED BLACK | - |



REMARK:

① PROD. NO. :

TERMINATION TYPE:

M = M TYPE S.M.T.

J = J TYPE S.M.T.

Prod. Series:

G = With Ground Terminal

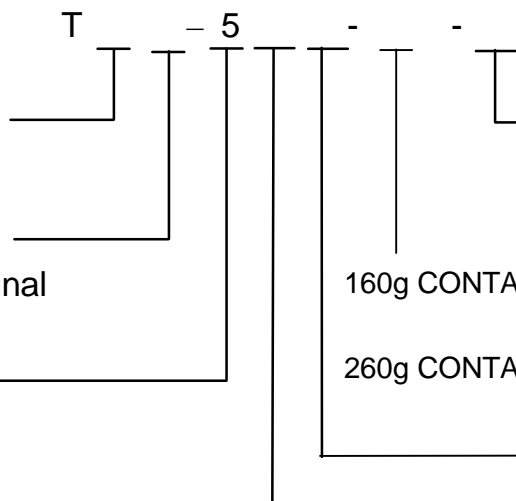
PROD. SIZE:

5 = 5 X 5

TOTAL HEIGHT:

2 = 0.8 mm

3 = 1.5 mm



Package Style:

=REGULAR

T\R=TAPE & REEL

160g CONTACT : =PHOSPHOR BRONZE

S = STAINLESS STEEL

260g CONTACT : = STAINLESS STEEL

OPERATING FORCE :

3 = 160g.

4 = 260g.

| | | |
|------|-------------------------|-------|
| F | 增加彈片材質 | |
| E | 工(工變)03014 | 李正哲 |
| D | 新增腳型 J TYPE | 李正哲 |
| C | 新增 TM(G)-523, 增加 260 荷重 | 李正哲 |
| B | 工(工變)01024 | 李正哲 |
| A | DWG.REL. | 李正哲 |
| RVE. | ECO NO. | APPD. |

| | |
|-----------------------|-------------------|
| TITLE: | APPD : |
| TACTILE SWITCH TYPE | CHKD.: |
| PROD. NO. : T - 5 - - | PR .: 楊佩儒 |
| FILE NO. : E-B-CT16 | REV: F SHEET:1of1 |