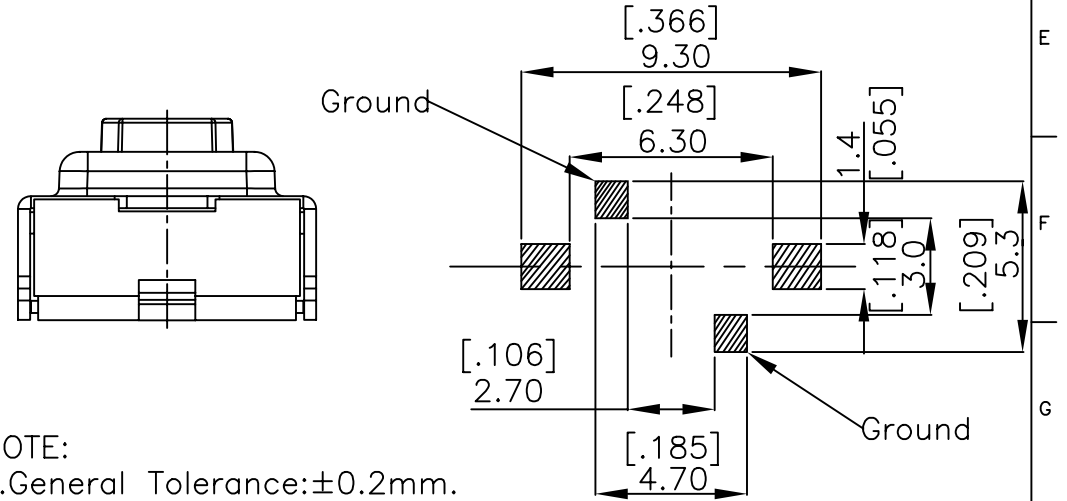
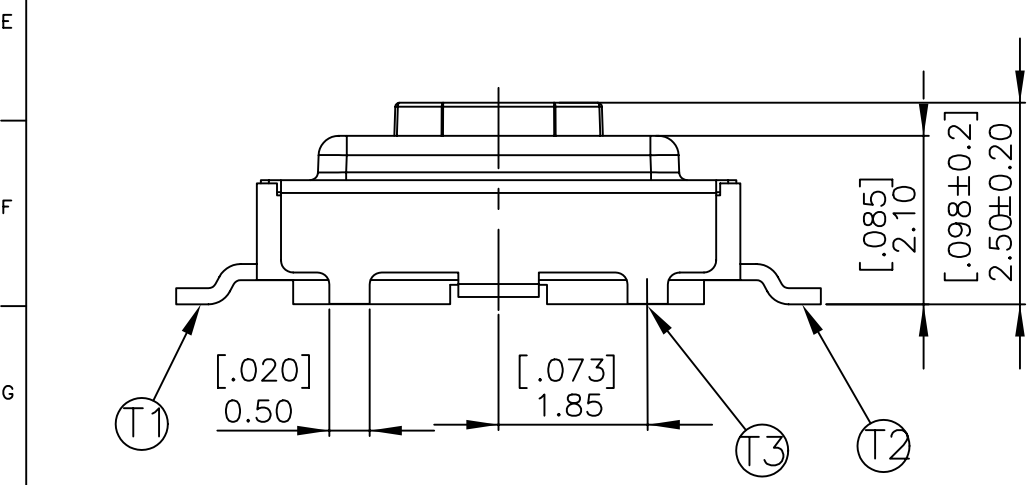


CIRCUIT DIAGRAM



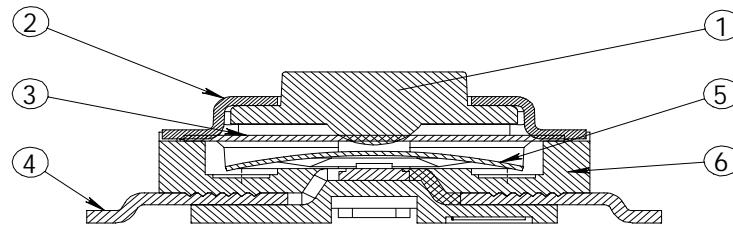
P.C.B. LAYOUT

NOTE:  
1.General Tolerance:±0.2mm.

APPD:	Q'TY:			
CHKD:	SCALE: 15:1			
DR: 張文逸	REV: A1	UNITS: mm		
DESIGN: 張文逸				
A1	DWG.REL			
ZONE	REV	DESCRIPTION	DATE	APPD.

APPD:	Q'TY:	Technology • Profession • Service		PART NAME:
CHKD:	SCALE: 15:1			TMG-325N
DR: 張文逸	REV: A1	UNITS: mm	PART NO:	MAT'L:
DESIGN: 張文逸			TMG-325N	FINISH:
				DWG NO:
				TMG-325-01

ITEM	DESC.	Q'TY	MATERIALS	TREATMENT	REMARK
1.	STEM	1	HIGH - TEMP THERMOPLASTIC NYLON UL 94V-0	-	-
2.	COVER	1	NICKEL SILVER	NONE	-
3.	ADHESIVE TAPE	1	TEFLON	NONE	-
4.	TERMINAL	1	BRASS	WITH SILVER CLADDING	-
5.	CONTACT	1	PHOSPHOR BRONZE STAINLESS STEEL	WITH SILVER CLADDING	-
6.	BASE	1	HIGH - TEMP THERMOPLASTIC NYLON UL 94V-0	MOLDED BLACK	-



TMG-3□□□

REMARK:

① PROD. NO. : T M G - 3 - - - - -

TERMINATION TYPE: \_\_\_\_\_ Package Style: \_\_\_\_\_  
M = M TYPE S.M.T. =REGULAR  
T\R=TAPE & REEL

Prod. Series: \_\_\_\_\_ OPERATING FORCE : \_\_\_\_\_  
G = With Ground Terminal N = 160g. BROWN  
R = 260g. RED

PROD. SIZE: \_\_\_\_\_  
3 = 3.5 X 6

TOTAL HEIGHT: \_\_\_\_\_  
25 = 2.5 mm

TITLE:		APPD :	
TACTILE SWITCH TYPE		CHKD.:	
PROD. NO. : TMG-3 -		PR .: 張文逸	
FILE NO. : E-B-CT27		REV: A1	SHEET: 1of1

A1	DWG.REL.	
RVE.	ECO NO.	APPD.