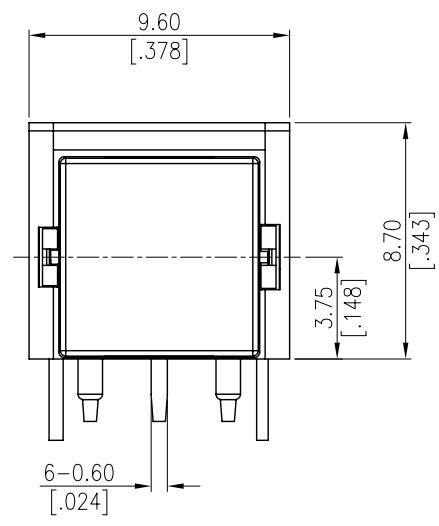
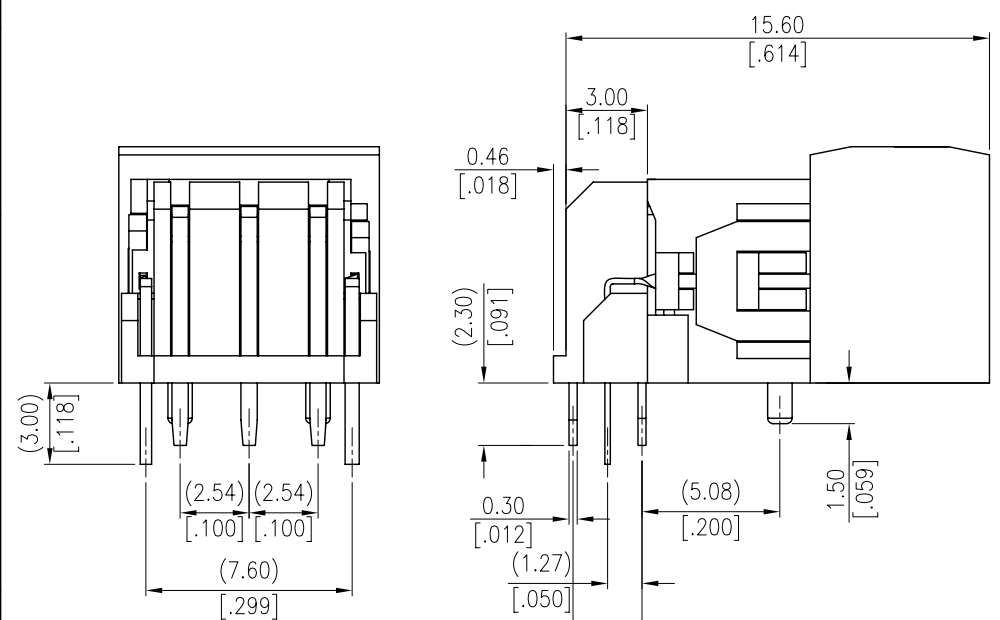
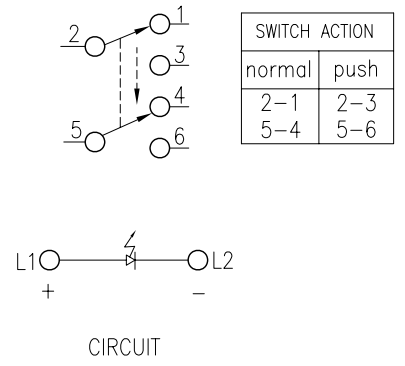
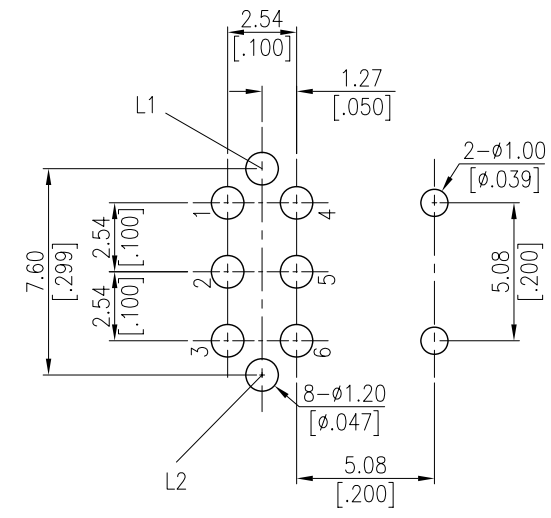
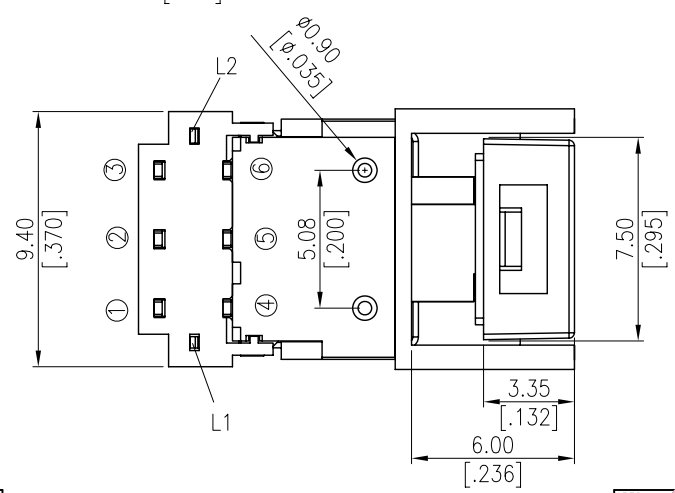


本公司智慧財產，未經同意不得複製  
 Diptronics copyright,  
 may not be used without permission from Diptronics.



NOTE:  
 1.ALL DIMENSIONS ARE IN MILLIMETERS,BRACKETED DIMENSIONS ARE IN INCHES.  
 2.GENERAL TOLERANCES MAX.±0.20mm.  
 SPECIFICATIONS:  
 1.RATING: DC 30V 0.1A  
 2.LIFE: 10,000 cycles  
 3.OPERATION FORCE: 250gf±100gf  
 4.STROKE: 1.5+0.5/-0mm  
 5.CONTACT RESISTANCE: 50mΩ MAX.  
 6.DIELECTRIC STRENGTH: AC 50V(50Hz) 1 MINUTE  
 7.INSULATION RESISTANCE: 100MΩ MIN.  
 8.OPERATION TEMPERATURE RANGE: -10°C~+70°C



| ZONE | REV.      | DESCRIPTION | DATE     | APPD. |
|------|-----------|-------------|----------|-------|
| A    |           |             |          |       |
| A    |           |             |          |       |
| A    |           |             |          |       |
| A    | DWG. REL. |             | 12'07.26 |       |

|               |            |         |     |
|---------------|------------|---------|-----|
| APPD:         | 邱明義        | QTY:    |     |
| CHKD:         | 張文遠        | SCALE:  | 5:1 |
| DR:           | Michelle   | REV:    | A   |
| DESIGN:       | 2012.07.26 | UNITS:  | mm  |
| PART NO:      |            | MAT'L:  |     |
| ML8-AP03RQA-0 |            | FINISH: |     |

**JOYNet Enterprise Co., Ltd.**

|            |                      |
|------------|----------------------|
| PART NAME: | Push Tact Switch+LED |
| DWG NO:    | PDMP85               |