

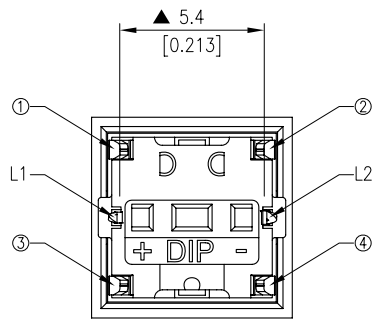
NOTE:
 1.ALL DIMENSIONS ARE IN MILLIMETERS.
 BRACKETED DIMENSIONS ARE IN INCHES.
 2.GENERAL TOLERANCES ±0.25mm
 3.MECHANICAL:
 Operating Force(OF): 160±50gf
 Life: 160g±50g, 300,000 CYCLES
 4.ELECTRIAL:
 Switch Rating: 50 mA, 12V DC
 Contact Resistance: 100 mΩ Max
 Insulation Resistance: 500V DC, 100 MΩ Min
 LED Operating Current: 20mA Max.

ML6-H2□2□QA

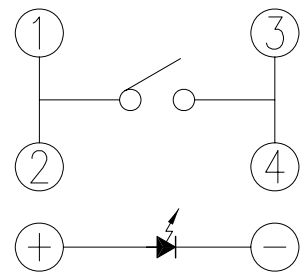
LED Color
 B: Blue

Cap Finish

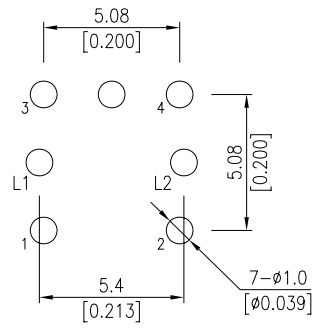
Cap Finish	Cap Mark			Cap Color
	-	1	2	
T	No Mark	-	-	Transparent Light Spread



CIRCUIT



P.C.B LAYOUT



△				
△				
△				
△	A1	DWG. REL.	09.02'11	
ZONE	REV.	DESCRIPTION	DATE	APPD.

APPD: 邱明義	QTY:	JOYNet Enterprise Co.,Ltd.	PART NAME:
CHKD: 張文遠	SCALE: 5:1		ML6
DR: Aries	REV: A1	PART NO: ML6-H2□2□QA	DWG NO: RDMP6H2
DESIGN: Aries	UNITS: mm	MAT'L:	FINISH: