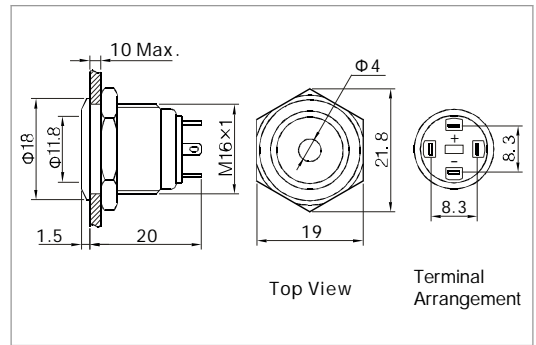


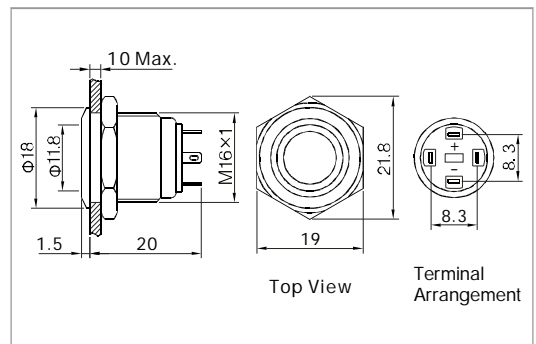
Check the detail part number from P1

**Anti-vandal dot illuminated push button**


- ◎ Φ16mm diameter
- ◎ Switch Rating: 2A/36VDC
- ◎ Contact Configuration: 1NO
- ◎ Operation Type: Momentary
- ◎ The crust material: Stainless Steel/  
Nickel Plate Brass
- ◎ IP Degree: Ip65


**Anti-vandal ring illuminated push button**


- ◎ Φ16mm diameter
- ◎ Switch Rating: 2A/36VDC
- ◎ Contact Configuration: 1NO
- ◎ Operation Type: Momentary
- ◎ The crust material: Stainless Steel/  
Nickel Plate Brass
- ◎ Ring Illuminated
- ◎ IP Degree: IP65



Specification	GQ16F-10D/J/Δ/▲/◎		GQ16F-10E/J/Δ/▲/◎			
The Fornt Shape	Flat Round		Flat Round			
Terminal Type	Pin Terminal(2×0.5mm)		Pin Terminal(2×0.5mm)			
Switching	No.1		No.1			
Max.Switch Rating	2A/36VDC		2A/36VDC			
Contact Resistance	≤50mΩ		≤50mΩ			
Insulation Resistance	≥1000MΩ		≥1000MΩ			
Dielectric Intensity	2000VAC		2000VAC			
Operating Temp	-20℃ ~ +55℃		-20℃ ~ +55℃			
Mechanical life	1,000,000cycles		1,000,000cycles			
Electrical life	200,000 cycles		200,000 cycles			
Panel Thickness	1 ~ 10mm		1 ~ 10mm			
Torque	5 ~ 14Nm		5 ~ 14Nm			
Operation Pressure	About 4N		About 4N			
Operation Distance	About 1.5mm		About 1.5mm			
IP Degree	IP65		IP65			
Material	Contact	Silver Alloy		Silver Alloy		
	Button	Stainless Steel/Nickel Plated Brass		Stainless Steel/Nickel Plated Brass		
	Body	Stainless Steel/Nickel Plated Brass		Stainless Steel/Nickel Plated Brass		
	Base	PBT		PBT		
	RoHS	Made to order		Made to order		
LED Spec.	Type	Dot Illuminated(LED)		Ring Illuminated(LED)		
	Color	<span style="color:red">R</span> <span style="color:yellow">Y</span> <span style="color:orange">O</span>	<span style="color:green">G</span> <span style="color:blue">B</span> <span style="color:white">W</span>	<span style="color:red">R</span> <span style="color:yellow">Y</span> <span style="color:orange">O</span> <span style="color:green">G</span> <span style="color:blue">B</span> <span style="color:white">W</span>		
	Rated Voltage(Ue)	AC/DC 1.7V	AC/DC 2.8V	AC/DC 1.7V	AC/DC 2.8V	
	Rated Current(Ie)	20mA		20mA		
	Life	40000 hours		40000 hours		
Current-Limiting Resistance Configuration Table	Operating Voltage (U)	6V	12V	24V	36V	Formula $R = \frac{U - U_e}{I_e}$
	Current-Limiting Resistance(R)	<span style="color:red">R</span> <span style="color:yellow">Y</span> <span style="color:orange">O</span> <span style="color:green">G</span> <span style="color:blue">B</span> <span style="color:white">W</span>	210Ω, 1/4W	510Ω, 1/2W	1.2kΩ, 3/4W	
		<span style="color:red">R</span> <span style="color:yellow">Y</span> <span style="color:orange">O</span> <span style="color:green">G</span> <span style="color:blue">B</span> <span style="color:white">W</span>	160Ω, 1/4W	460Ω, 1/2W	1.2KΩ, 3/4W	2.2KΩ, 1W