

F

E

D

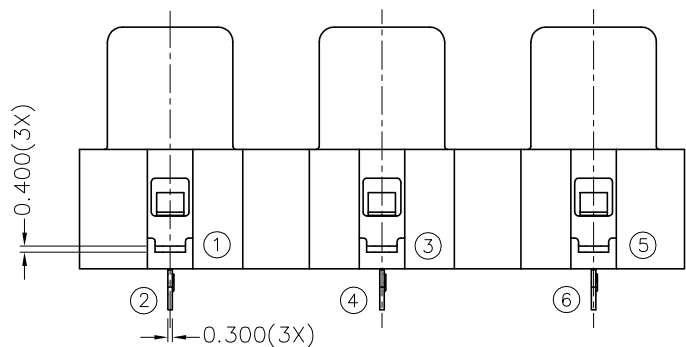
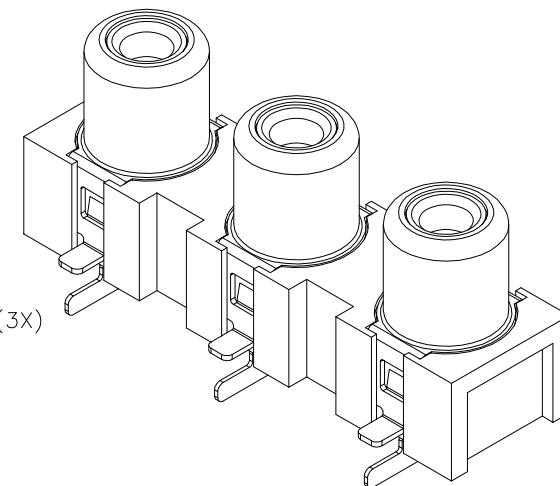
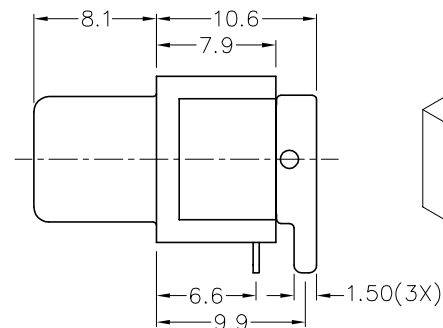
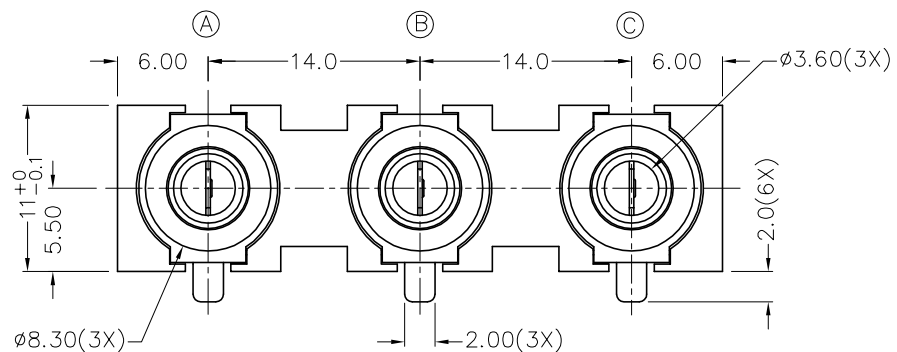
C

B

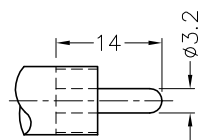
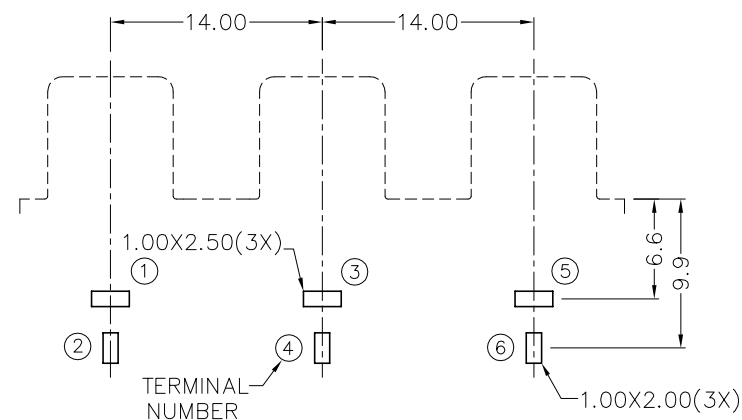
A

RoHS
Compliant

ZONE	SYMBOL	REVISION	APPROVAL	DATE
		REMARK MODIFIED	J.X.KUANG	17-7-2007



MODEL NO.	TRC-026		
SCHEMATIC	(A)	○ 1	
		○ 2	
	(B)	○ 3	
	○ 4		
(C)	○ 5		
	○ 6		



RCA MATE PLUG

* MATERIAL

SHELLS : C.R.STEEL
 TERMINALS : BRASS
 HOUSING : PA66
 INSULATION WASHER : PA66

REMARK:

MODEL NO.	(A)	(B)	(C)
TRC-026-YE-WH-RE	YELLOW	WHITE	RED
TRC-026-RE-WH-YE	RED	WHITE	YELLOW

PCB LAYOUT
(BOTTOM VIEW)

 **JOYNet** Enterprise Co.,Ltd.

PART NAME	RCA SOCKET	TOLERANCE UNLESS	0.0±0.2	UNIT:	mm	DESIGN	Z.H.LIU	DATE	28-4-2006	SCALE	2:1
PART NO.	TRC-026	OTHERWISE SPECIFIED:	0.00±0.1 0.000±0.05			CHECK	T.Y.LI	DATE	17-7-2007	MATERIAL	*
					APPROVAL		DATE		DWG. NO.	TZ\RC026-PA66/B	
							DATE		SHEET		

F

E

D

C

B

A