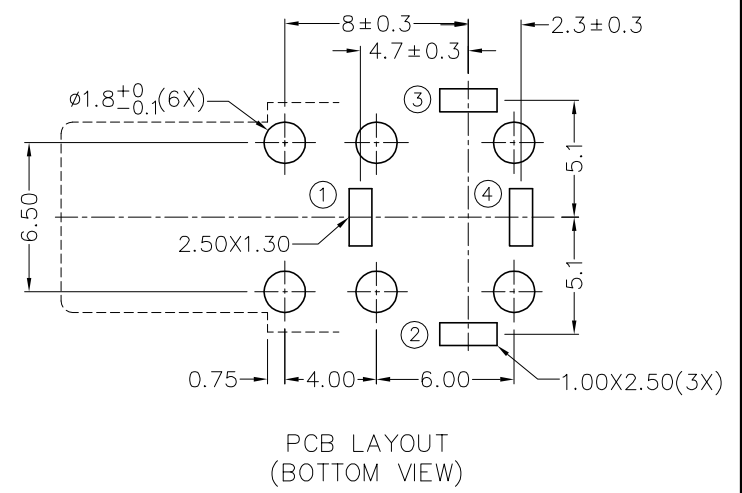
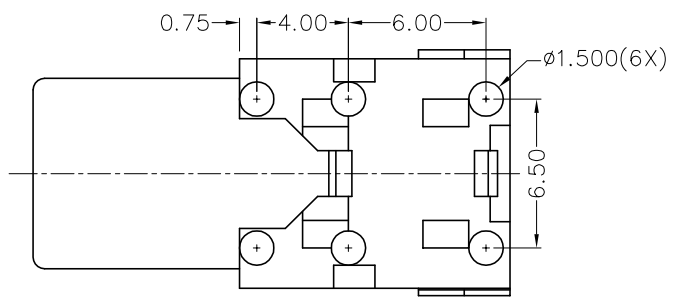
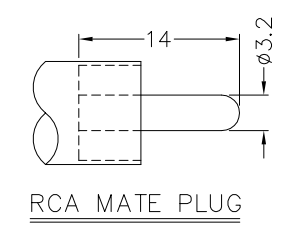
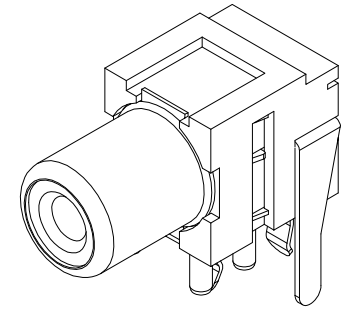
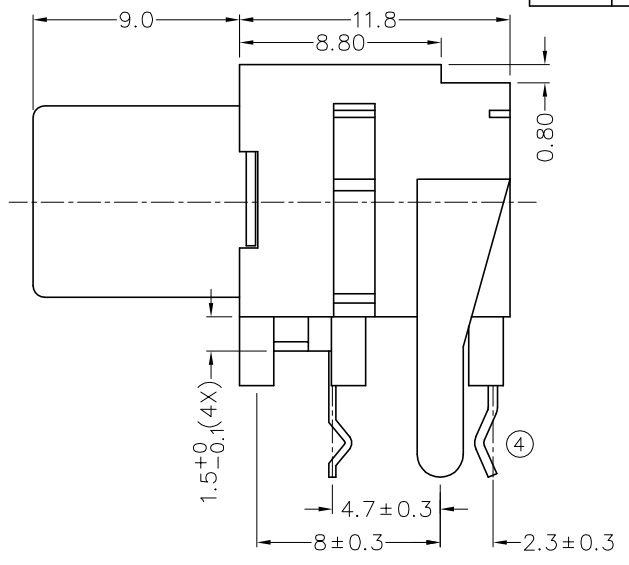
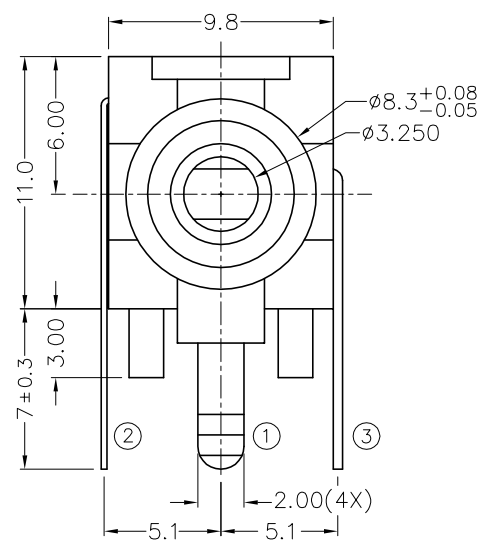


F E D C B A

ZONE	SYMBOL	REVISION	APPROVAL	DATE
		MODIFY PART NAME	J.X.KUANG	14-8-2008

RoHS
Compliant



* MATERIAL
 TERMINAL 1 : C.R.STEEL
 TERMINAL 2 : COPPER ALLOY
 TERMINAL 3 : BRASS
 TERMINAL 4 : COPPER ALLOY
 HOUSING : PBT

COLOR CODE	MODEL NO.	TRC-005-4	TRC-005-3	TRC-005-2A	TRC-005-2B
B BLACK	SCHEMATIC				
R RED					
W WHITE					
Y YELLOW					



DESIGN	K.YAU-YEUNG	DATE	29-9-2003	SCALE	3:1
DRAWING	T.Y.LI	DATE	14-8-2008	MATERIAL	*
CHECK		DATE		DWG. NO.	TZ\RC005-PBT/C
APPROVAL		DATE		SHEET	

PART NAME	RCA SOCKET	TOLERANCE UNLESS	0.0±0.2	UNIT:	mm
PART NO.	TRC-005	OTHERWISE SPECIFIED:	0.00±0.1 0.000±0.05		

F E D C B A