

F

E

D

C

B

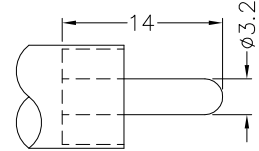
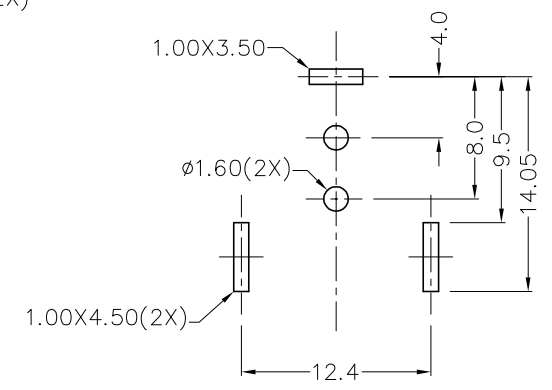
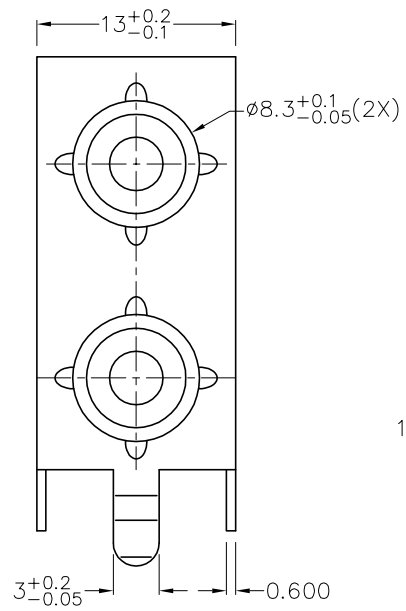
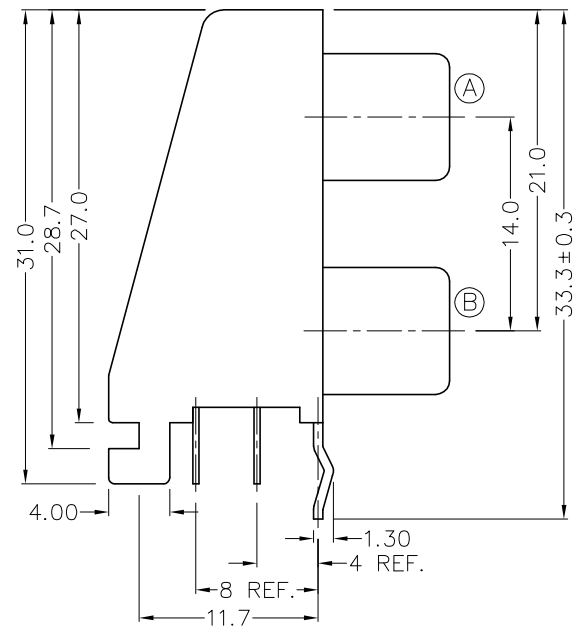
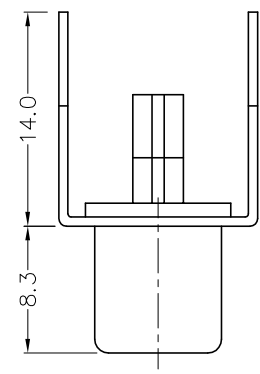
A

RoHS
Compliant

ZONE	SYMBOL	REVISION	APPROVAL	DATE
		ADD REMARK	J.X.KUANG	5-11-2007

REMARK:

MODEL NO.	(A)	(B)
TRC-002-BK-BK	BLACK	BLACK
TRC-002-RE-RE	RED	RED
TRC-002-WH-WH	WHITE	WHITE
TRC-002-RE-WH	RED	WHITE
TRC-002-WH-RE	WHITE	RED
TRC-002-YE-RE	YELLOW	RED



RCA MATE PLUG



DESIGN	J.JIANG	DATE	18-6-2004	SCALE	2:1
DRAWING	T.Y.LI	DATE	5-11-2007	MATERIAL	
CHECK		DATE		DWG. NO.	TZ\RC002/C
APPROVAL		DATE		SHEET	

PART NAME	RCA SOCKET	TOLERANCE UNLESS	0.0±0.2	UNIT:	mm
PART NO.	TRC-002	OTHERWISE SPECIFIED:	0.00±0.1 0.000±0.05		

F

E

D

C

B

A