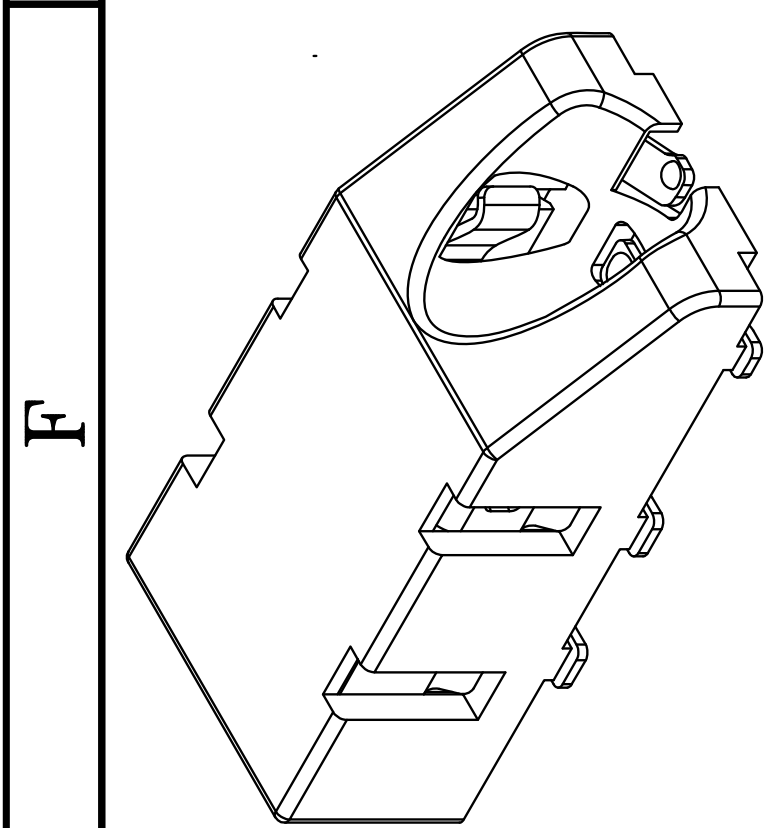
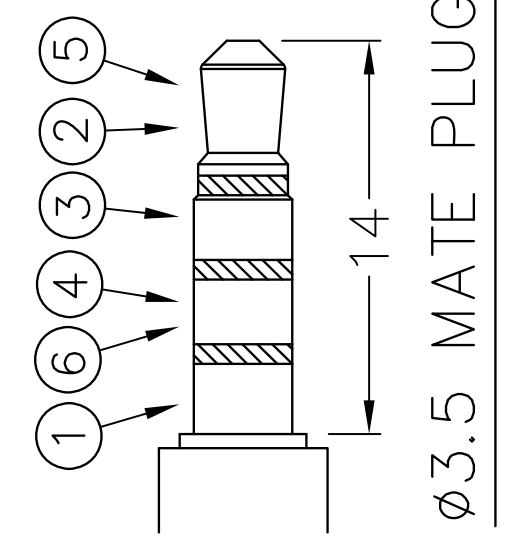
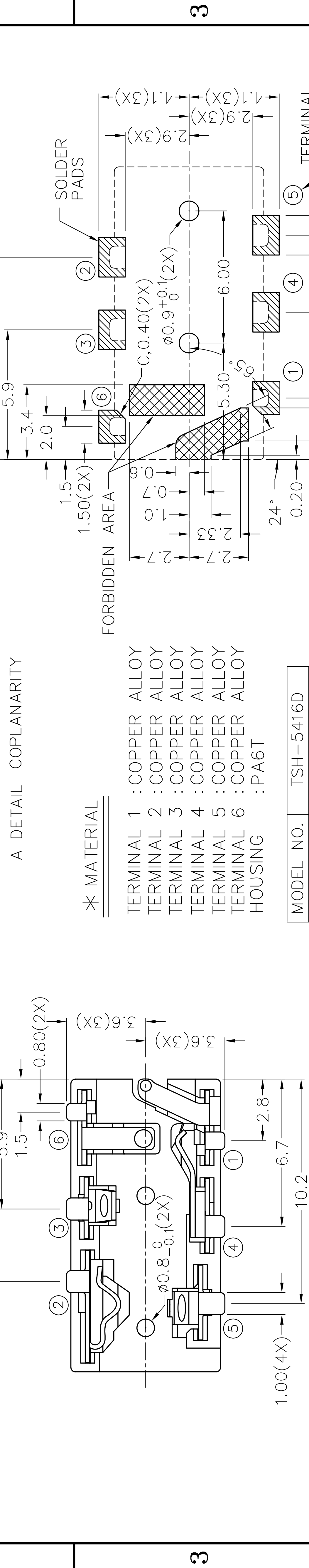
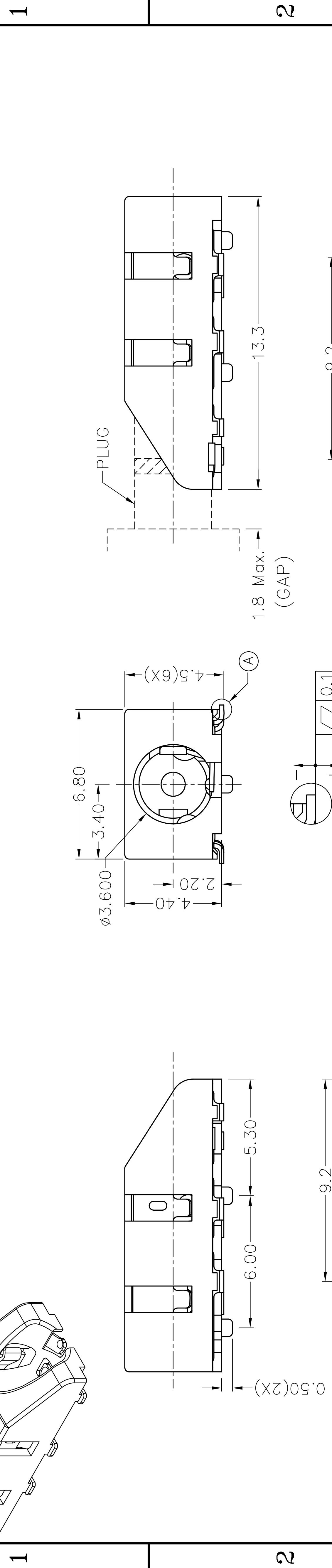


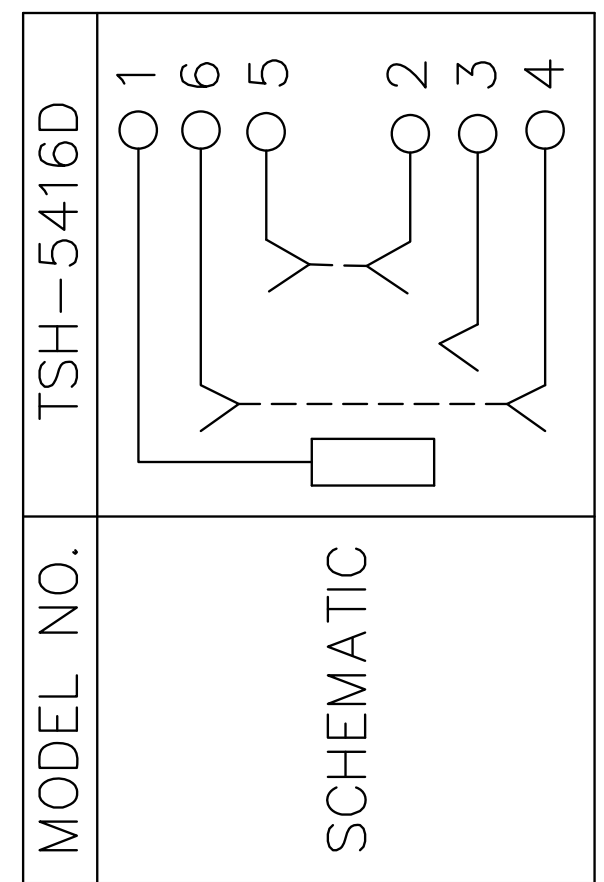
F		E		D		C		B		A	
PART NAME		3.5mm SMD STEREO JACK		TOLERANCE UNLESS OTHERWISE SPECIFIED: 0.00±0.05		DESIGN		DATE		SCALE	
PART NO.		TSH-541D		UNIT: mm		DRAWING		DATE		MATERIAL	
						CHECK		DATE		DWG. NO. TZ\SH541D-PA6T/A	
						APPROVAL		DATE		SHEET	
										* 4:1	



**RoHS**  
Compliant



- \* MATERIAL
- TERMINAL 1 : COPPER ALLOY
  - TERMINAL 2 : COPPER ALLOY
  - TERMINAL 3 : COPPER ALLOY
  - TERMINAL 4 : COPPER ALLOY
  - TERMINAL 5 : COPPER ALLOY
  - TERMINAL 6 : COPPER ALLOY
  - HOUSING : PA6T



A DETAIL COPLANARITY

RECOMMENDED  
SOLDER PAD LAYOUT  
(TOP VIEW)

F		E		D		C		B		A	
PART NAME		3.5mm SMD STEREO JACK		TOLERANCE UNLESS OTHERWISE SPECIFIED: 0.00±0.05		DESIGN		DATE		SCALE	
PART NO.		TSH-541D		UNIT: mm		DRAWING		DATE		MATERIAL	
						CHECK		DATE		DWG. NO. TZ\SH541D-PA6T/A	
						APPROVAL		DATE		SHEET	
										* 4:1	

**JOYNet Enterprise Co., Ltd.**