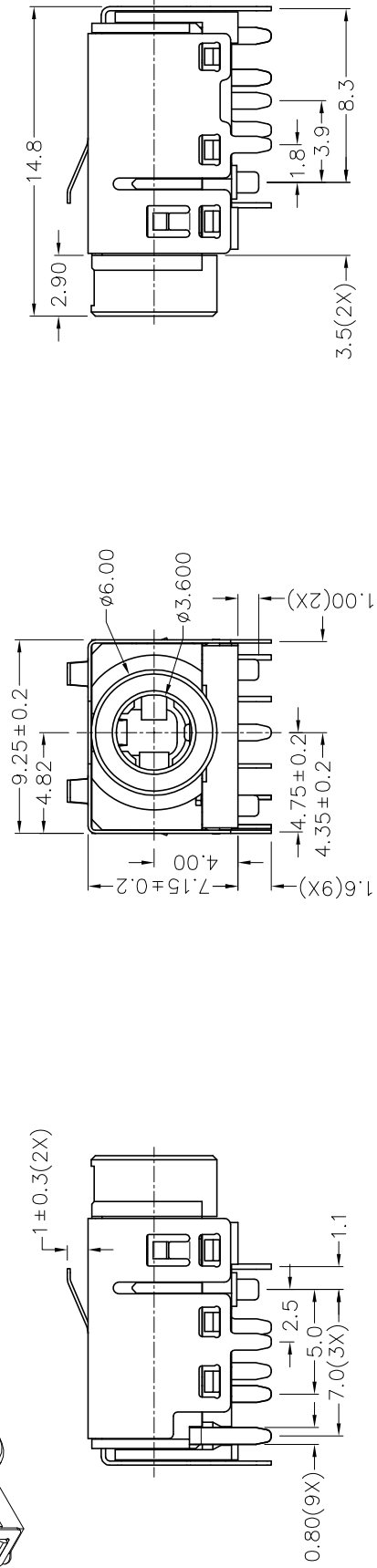
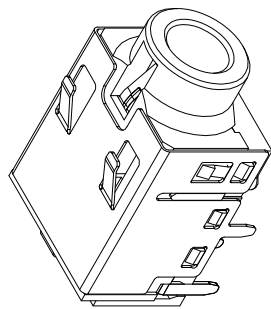


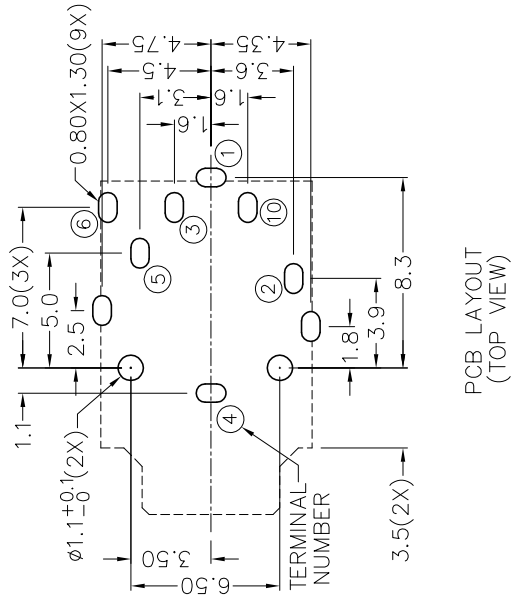
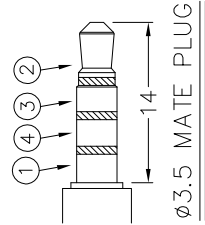
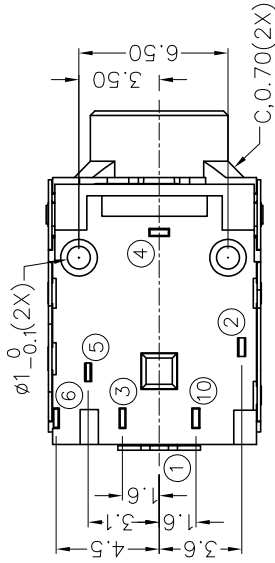
1	2	3	4	A	DATE	APPROVAL	B	REVISION	C	SYMBOL	E	D	RoHS Compliant	F
					DATE									
					DATE									



*** MATERIAL**

- TERMINAL 1 : COPPER ALLOY
- TERMINAL 2 : COPPER ALLOY
- TERMINAL 3 : COPPER ALLOY
- TERMINAL 4 : COPPER ALLOY
- TERMINAL 5 : COPPER ALLOY
- TERMINAL 6 : COPPER ALLOY
- TERMINAL 10 : BRASS
- SHIELD : STAINLESS STEEL
- HOUSING : PA6T
- COVER : PA6T

MODEL NO.	TSH-537S
Schematic Diagram	



PCB LAYOUT
(TOP VIEW)

<p>JOYNet Enterprise Co., Ltd.</p>				DESIGN	H.L.TAN	DATE	10-6-2011	SCALE	3:1	
				DRAWING	H.L.TAN	DATE	10-6-2011	MATERIAL	*	
PART NAME	3.5mm STEREO JACK	TOLERANCE UNLESS	0.0±0.2	CHECK		DATE		DWG. NO.	TZ\SH537S-PA6T/A	
PART NO.	TSH-537S	OTHERWISE SPECIFIED:	0.00±0.1 0.00±0.05 mm	APPROVAL		DATE		SHEET		
F				D				B		A