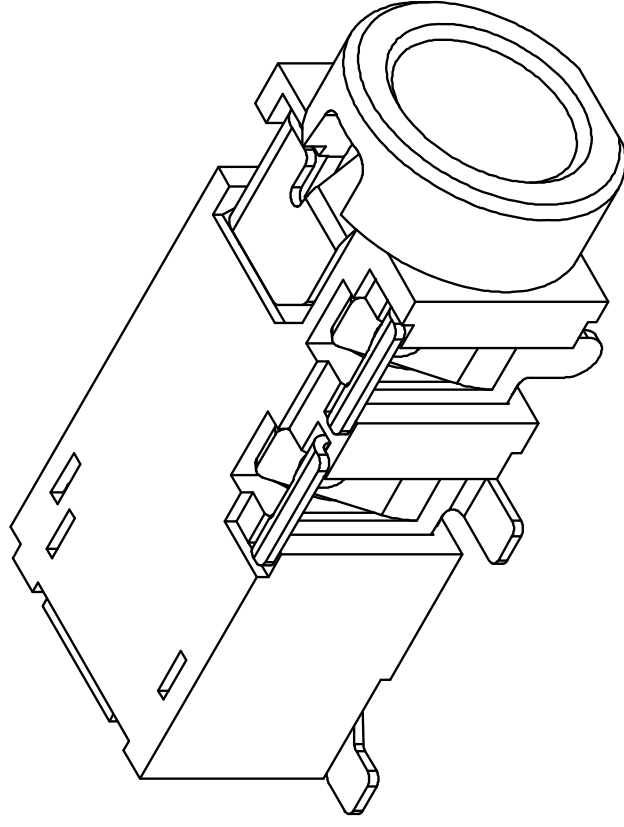
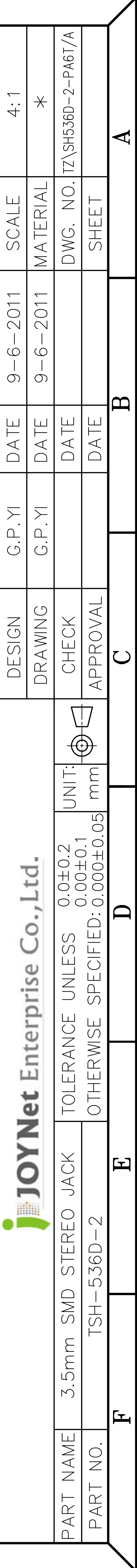
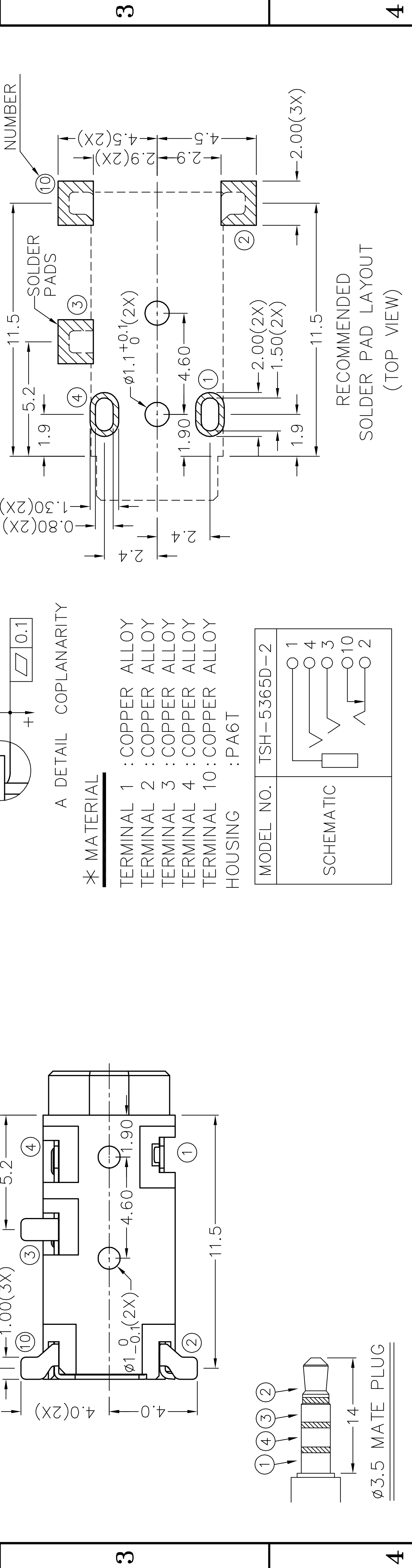
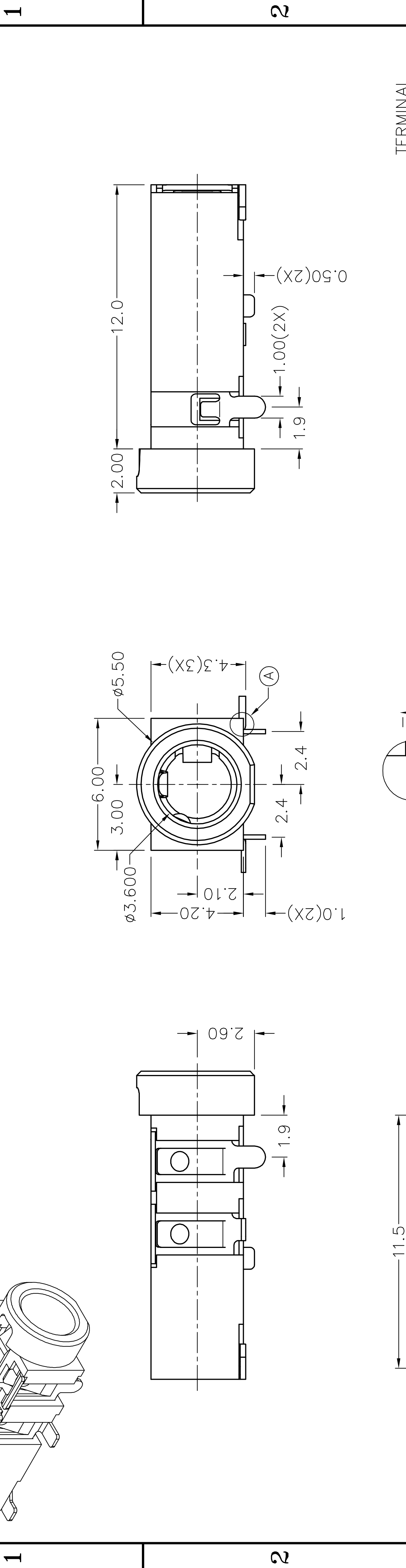


F		E		D		C		B		A	
						RoHS Compliant		ZONE SYMBOL REVISION APPROVAL DATE			



1

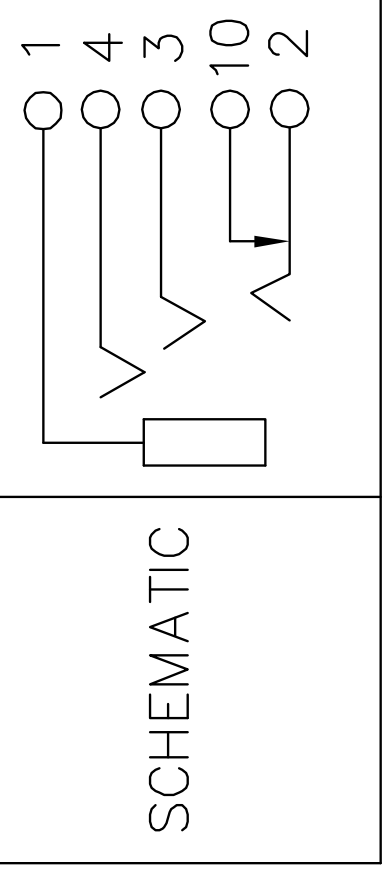
2

3

4

*** MATERIAL**

- TERMINAL 1 : COPPER ALLOY
- TERMINAL 2 : COPPER ALLOY
- TERMINAL 3 : COPPER ALLOY
- TERMINAL 4 : COPPER ALLOY
- TERMINAL 10 : COPPER ALLOY
- HOUSING : PA6T

MODEL NO.	TSH-5365D-2
SCHEMATIC	

JOYNet Enterprise Co., Ltd.

PART NAME	3.5mm SMD STEREO JACK	TOLERANCE UNLESS	0.0±0.2	UNIT:	mm	DESIGN	G.P.YI	DATE	9-6-2011	SCALE	4:1
PART NO.	TSH-536D-2	OTHERWISE SPECIFIED:	0.00±0.1			DRAWING	G.P.YI	DATE	9-6-2011	MATERIAL	*
			0.000±0.05			CHECK		DATE		DWG. NO.	TZ\SH536D-2-PA6T/A
						APPROVAL		DATE		SHEET	