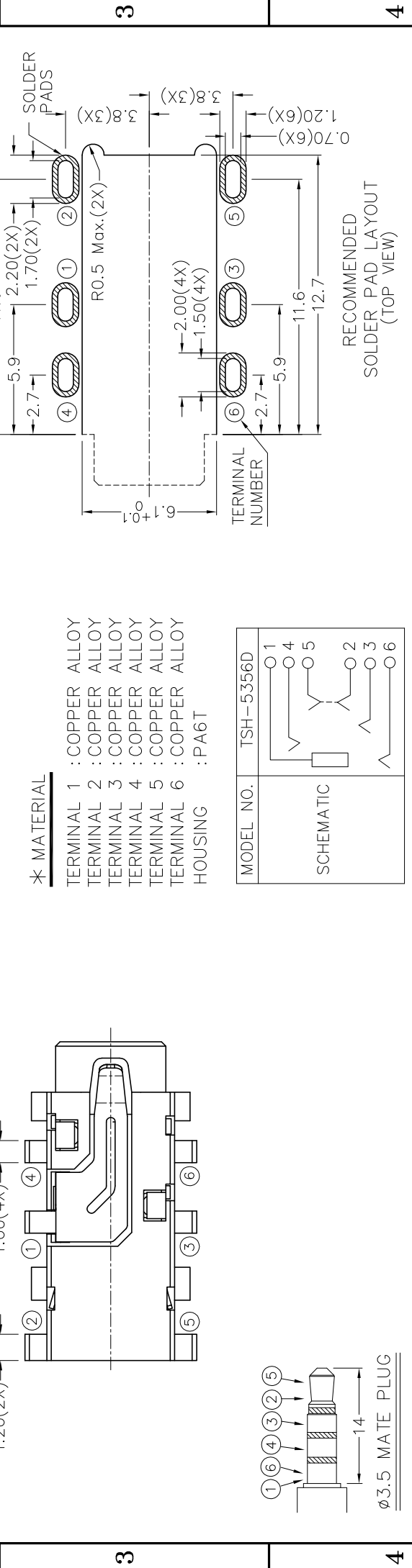
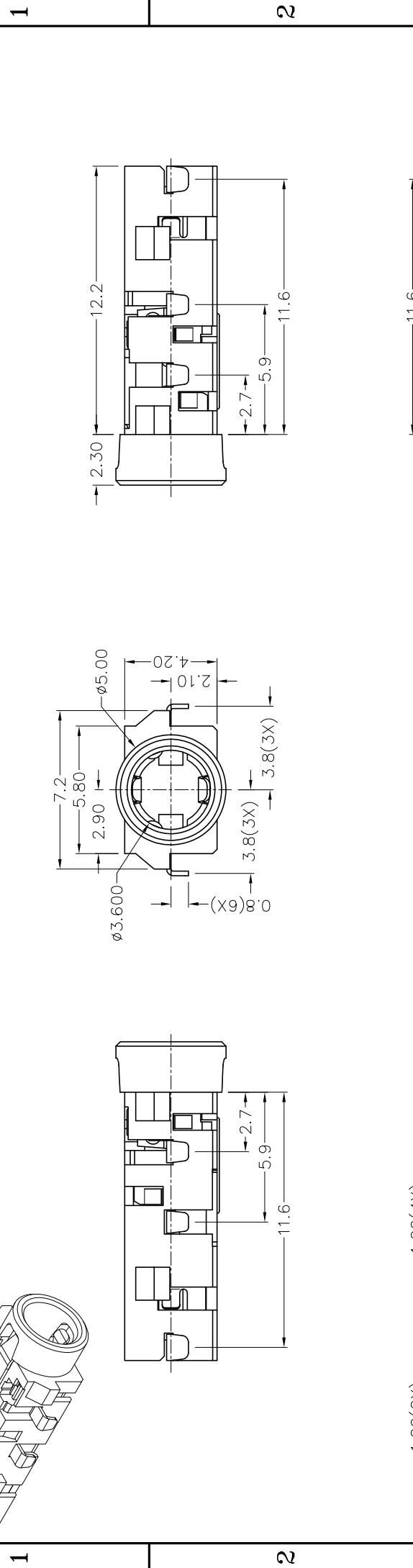


ZONE		SYMBOL		REVISION		APPROVAL		DATE	

**RoHS**  
Compliant



- \* MATERIAL**
- TERMINAL 1 : COPPER ALLOY
  - TERMINAL 2 : COPPER ALLOY
  - TERMINAL 3 : COPPER ALLOY
  - TERMINAL 4 : COPPER ALLOY
  - TERMINAL 5 : COPPER ALLOY
  - TERMINAL 6 : COPPER ALLOY
  - HOUSING : PA6T

MODEL NO.	TSH-5356D
SCHEMATIC	

RECOMMENDED  
SOLDER PAD LAYOUT  
(TOP VIEW)

<b>JOYNet Enterprise Co., Ltd.</b>		DESIGN	CH.XIONG	DATE	4-5-2011	SCALE	4:1
PART NAME	3.5mm SMD STEREO JACK	DRAWING	CH.XIONG	DATE	4-5-2011	MATERIAL	*
PART NO.	TSH-535D	CHECK		DATE		DWG. NO.	ITZ\SH535D-PA6T/A
		APPROVAL		DATE		SHEET	