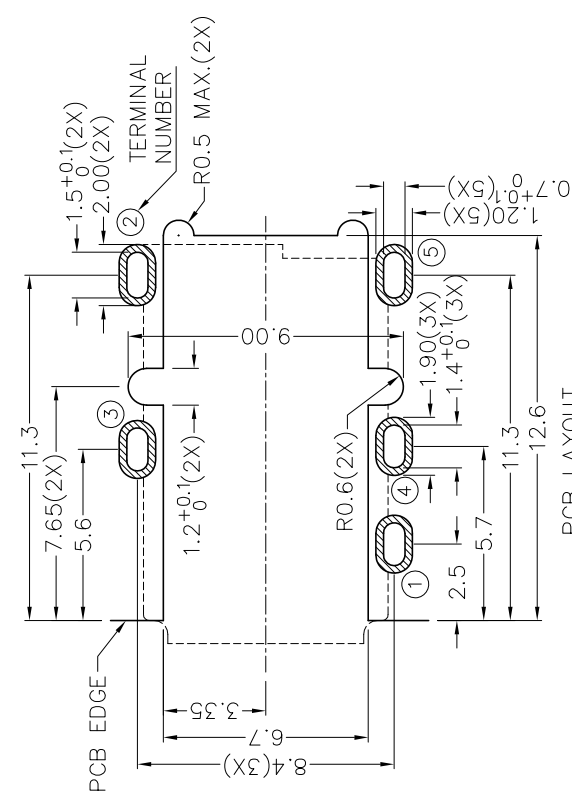
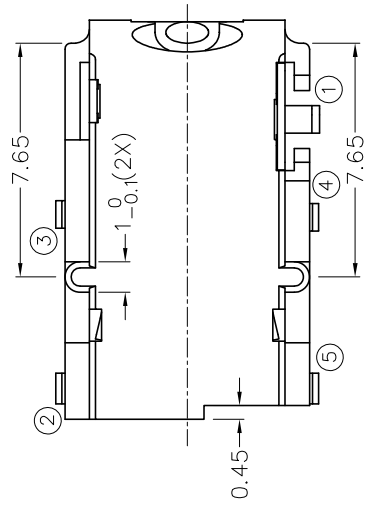
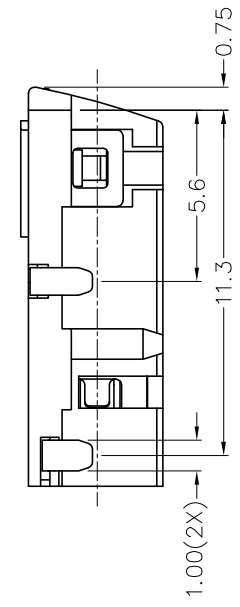
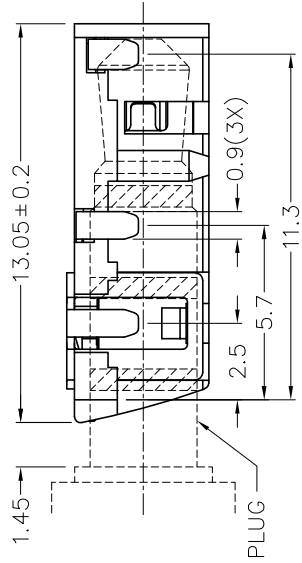
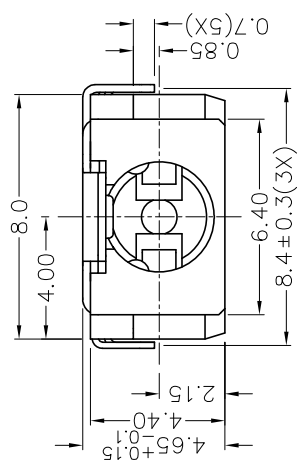
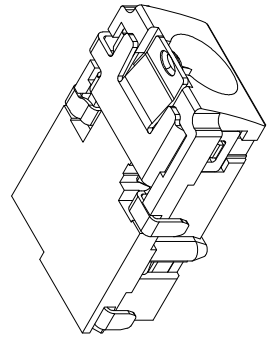


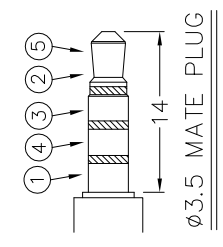
1		2		3		4	
ZONE	SYMBOL	REVISION	APPROVAL	DATE			

RoHS
Compliant



*** MATERIAL**
 TERMINAL 1 : COPPER ALLOY
 TERMINAL 2 : COPPER ALLOY
 TERMINAL 3 : COPPER ALLOY
 TERMINAL 4 : COPPER ALLOY
 TERMINAL 5 : COPPER ALLOY
 HOUSING : PA6T

MODEL NO.	TSH-5315D
SCHEMATIC	



PCB LAYOUT
(TOP VIEW)

JOYNet Enterprise Co., Ltd.		DESIGN	H.L.TAN	DATE	24-8-2010	SCALE	4:1
PART NAME	3.5mm SMD STEREO JACK	DRAWING	G.P.YI	DATE	22-10-2010	MATERIAL	*
PART NO.	TSH-531D	CHECK		DATE		DWG. NO.	TZ\SH531D-PA6T/A
		APPROVAL		DATE		SHEET	