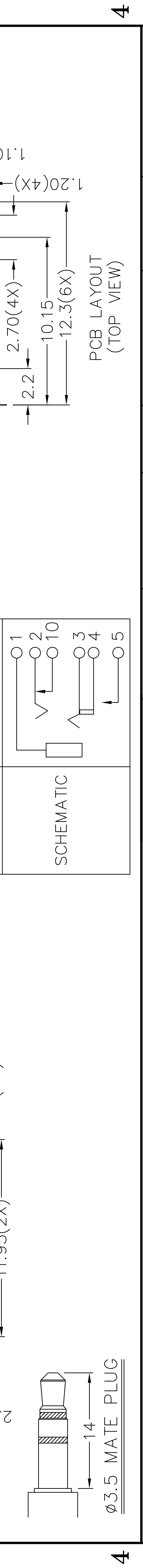
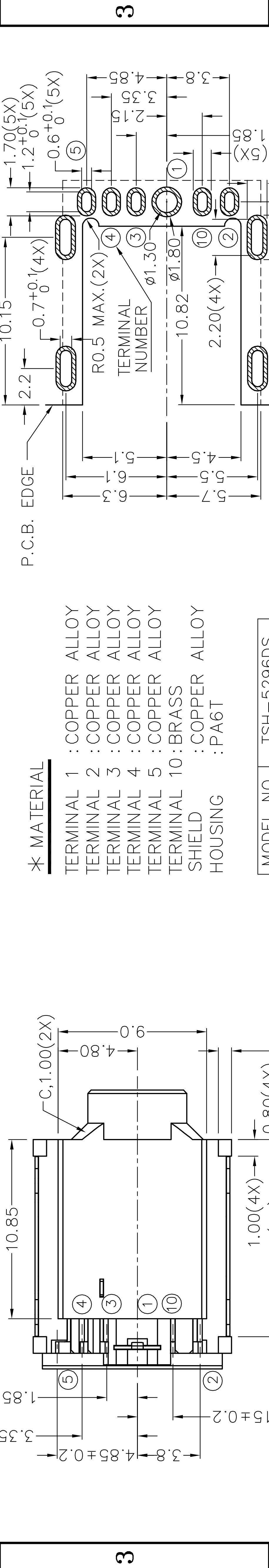
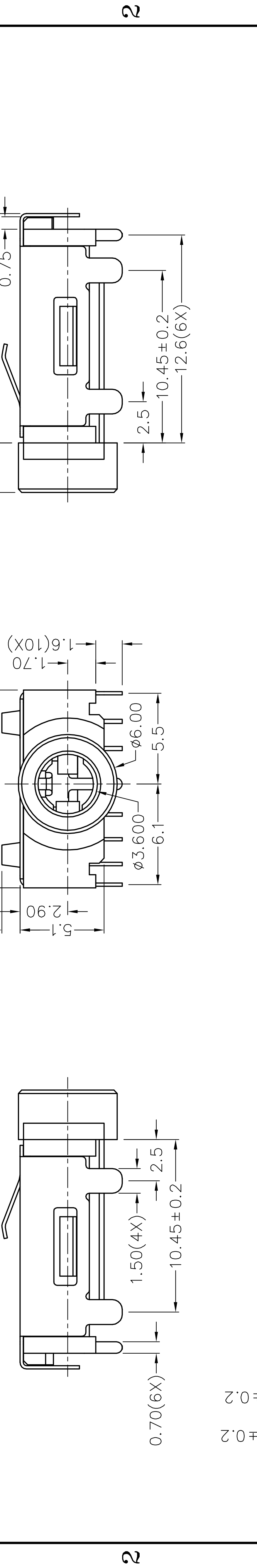
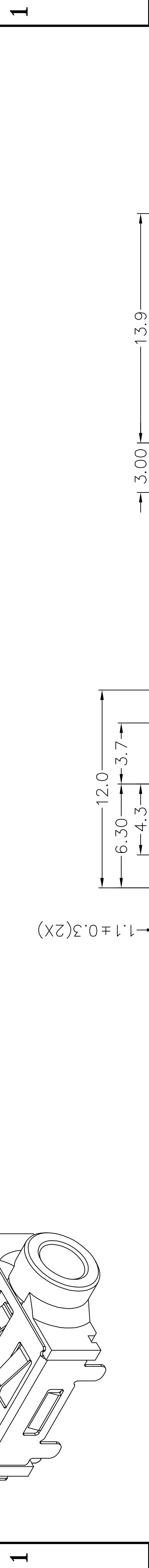


F		E		D		C		B		A	
PART NAME		3.5mm SMD STEREO JACK		TOLERANCE UNLESS OTHERWISE SPECIFIED: 0.000±0.05		DESIGN		H.L.TAN		DATE	
PART NO.		TSH-529DS		UNIT: 0.00±0.1 mm		DRAWING		H.L.TAN		DATE	
						CHECK				DWG. NO. TZ\SH529DS-PA6T/A	
						APPROVAL				SHEET	
										SCALE	
										3:1	
										MATERIAL	
										*	



PART NAME		3.5mm SMD STEREO JACK		TOLERANCE UNLESS OTHERWISE SPECIFIED: 0.000±0.05		DESIGN		H.L.TAN		DATE	
PART NO.		TSH-529DS		UNIT: 0.00±0.1 mm		DRAWING		H.L.TAN		DATE	
						CHECK				DWG. NO. TZ\SH529DS-PA6T/A	
						APPROVAL				SHEET	
										SCALE	
										3:1	
										MATERIAL	
										*	

RoHS
Compliant

- * MATERIAL
- TERMINAL 1 : COPPER ALLOY
 - TERMINAL 2 : COPPER ALLOY
 - TERMINAL 3 : COPPER ALLOY
 - TERMINAL 4 : COPPER ALLOY
 - TERMINAL 5 : COPPER ALLOY
 - TERMINAL 10 : BRASS
 - SHIELD : COPPER ALLOY
 - HOUSING : PA6T

MODEL NO.	TSH-5296DS
SCHEMATIC	

PCB LAYOUT
(TOP VIEW)

