

F

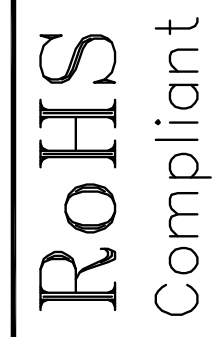
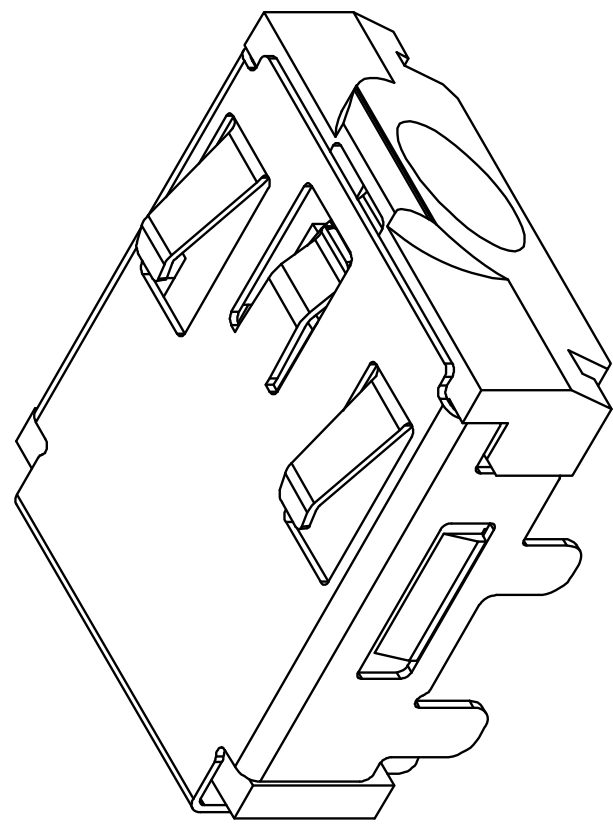
E

D

C

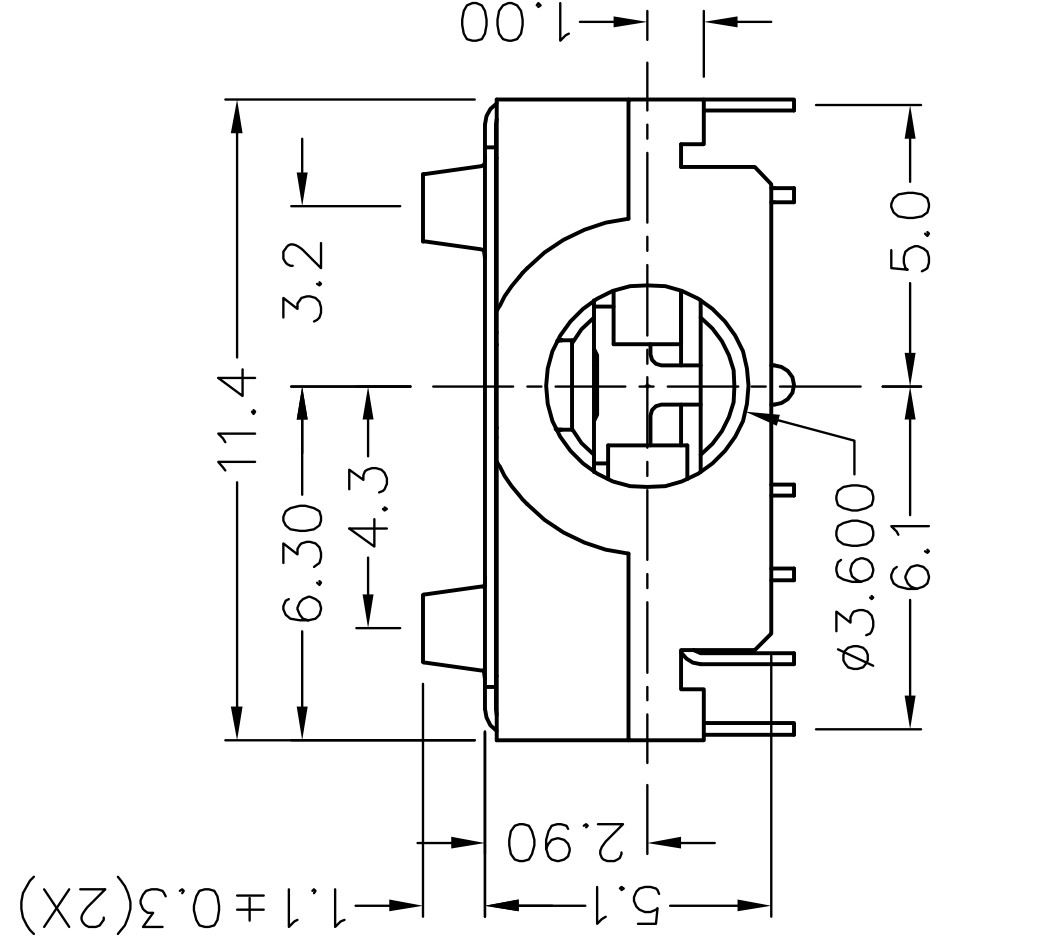
B

A



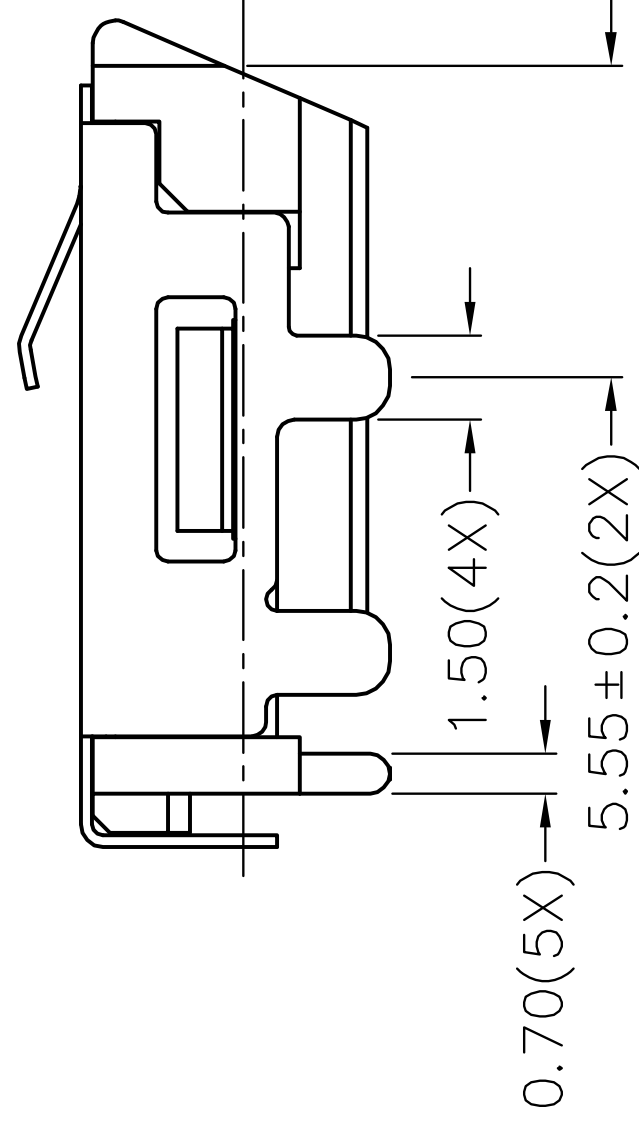
1

1



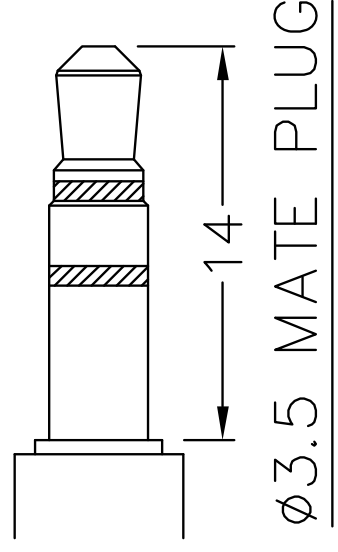
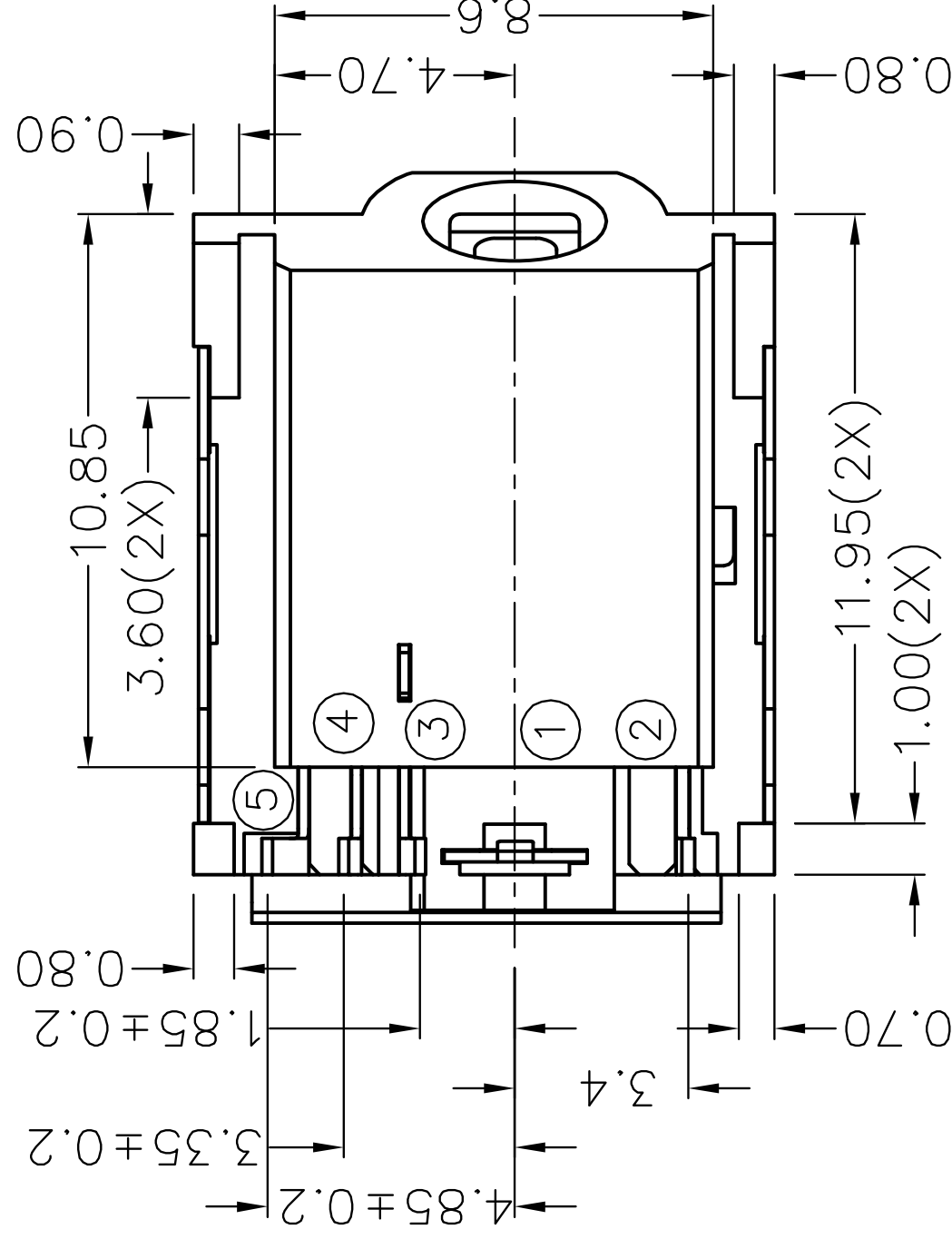
2

2



3

3



4

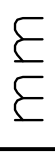
JOYNet Enterprise Co., Ltd.

PART NAME 3.5mm SMD STEREO JACK

PART NO. TSH-527DS

TOLERANCE UNLESS 0.0±0.2

OTHERWISE SPECIFIED: 0.000±0.05



UNIT: mm

ZONE

SYMBOL

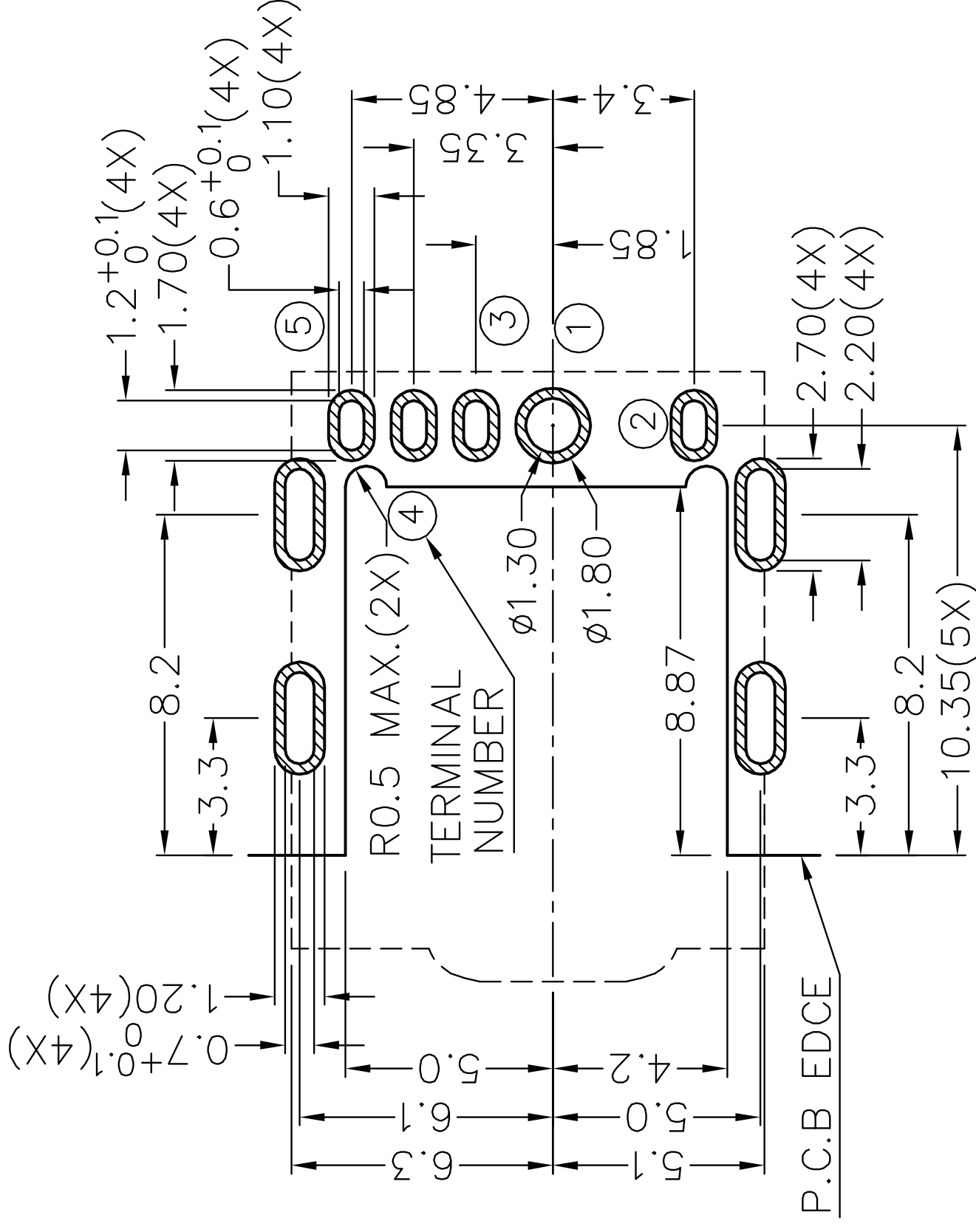
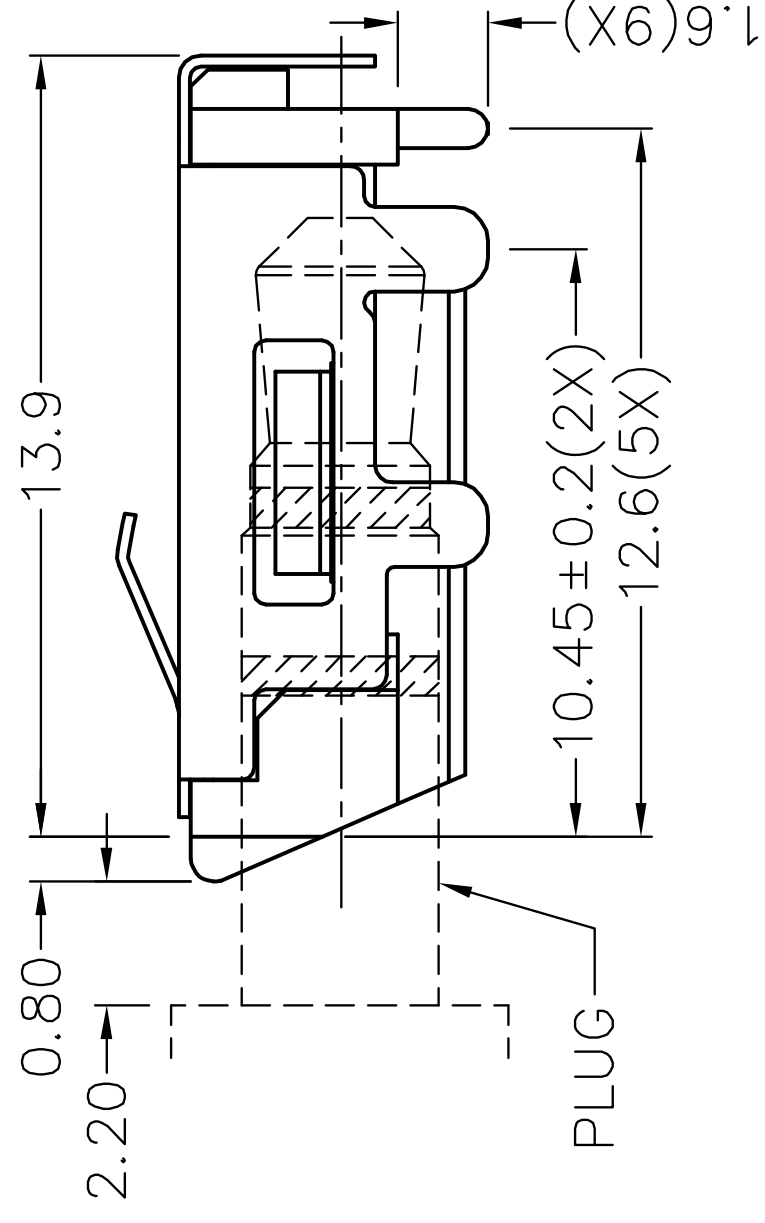
REVISION

APPROVAL

DATE

APPROVAL

DATE



*** MATERIAL**

TERMINAL 1 : COPPER ALLOY

TERMINAL 2 : COPPER ALLOY

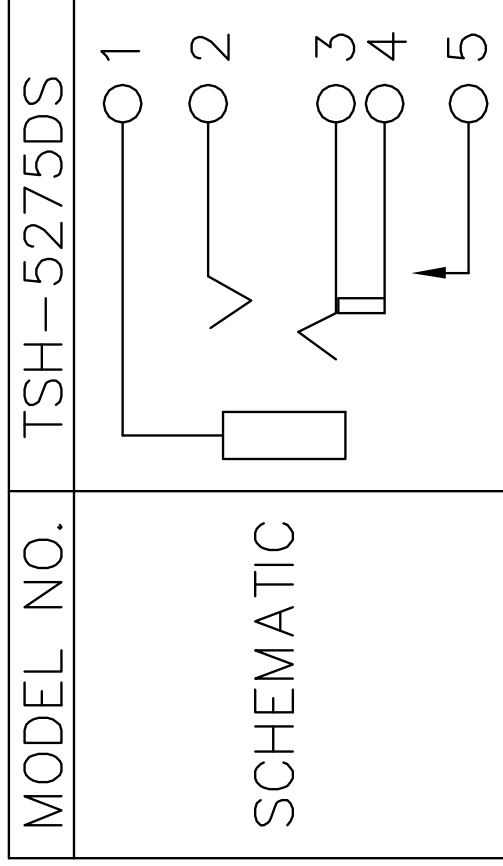
TERMINAL 3 : COPPER ALLOY

TERMINAL 4 : COPPER ALLOY

TERMINAL 5 : COPPER ALLOY

SHIELD : COPPER ALLOY

HOUSING : PA6T



F

E

D

C

B

A

DESIGN

DRAWING

CHECK
APPROVAL

G.P. YI
H.L. TAN

DATE
DATE
DATE
DATE

16-4-2010
8-9-2010

SCALE
MATERIAL

3:1

*

DWG. NO. TZ\SH527DS-PA6T/A

SHEET