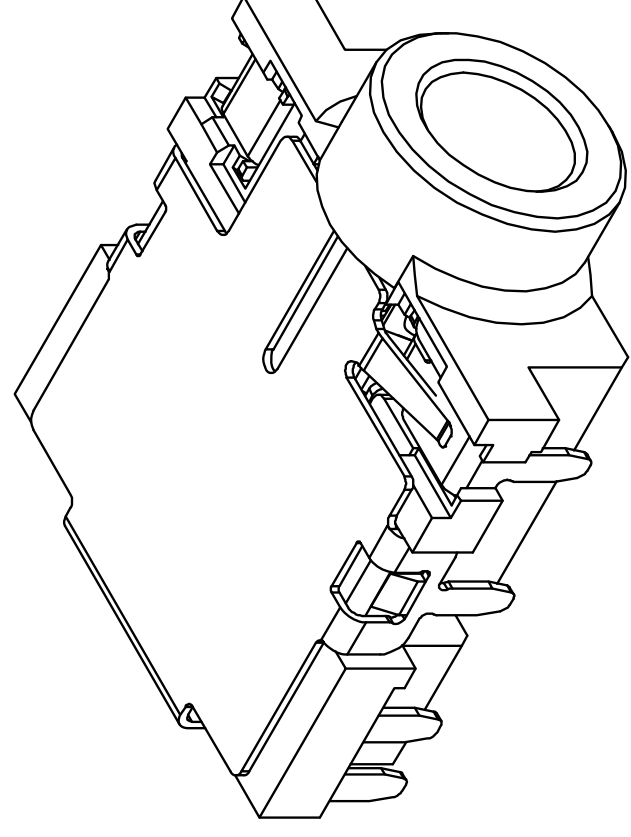
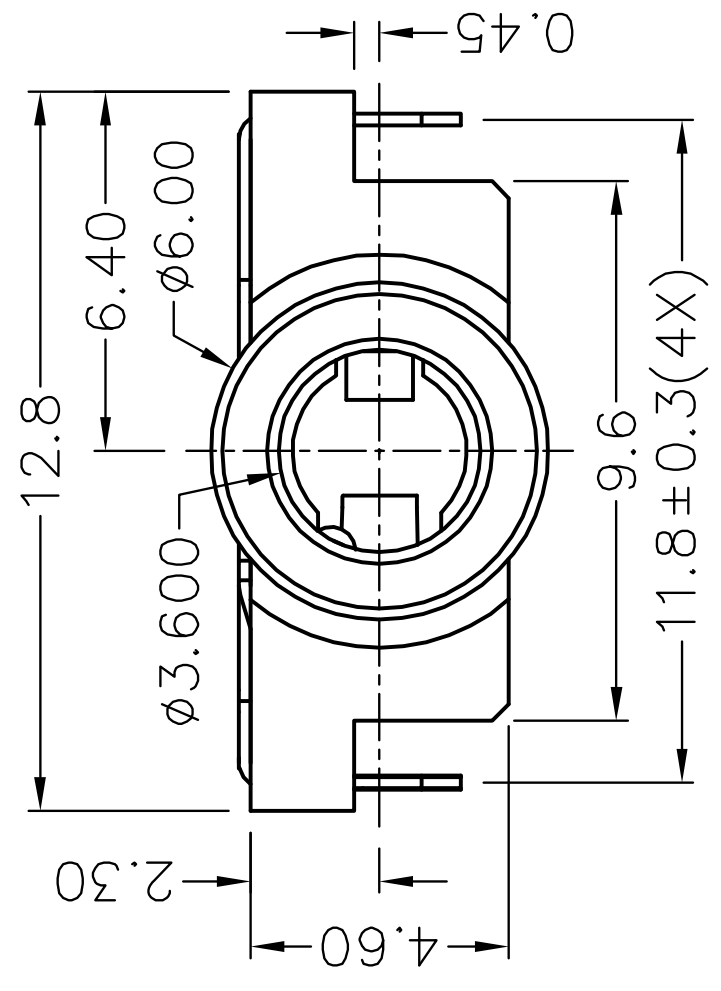
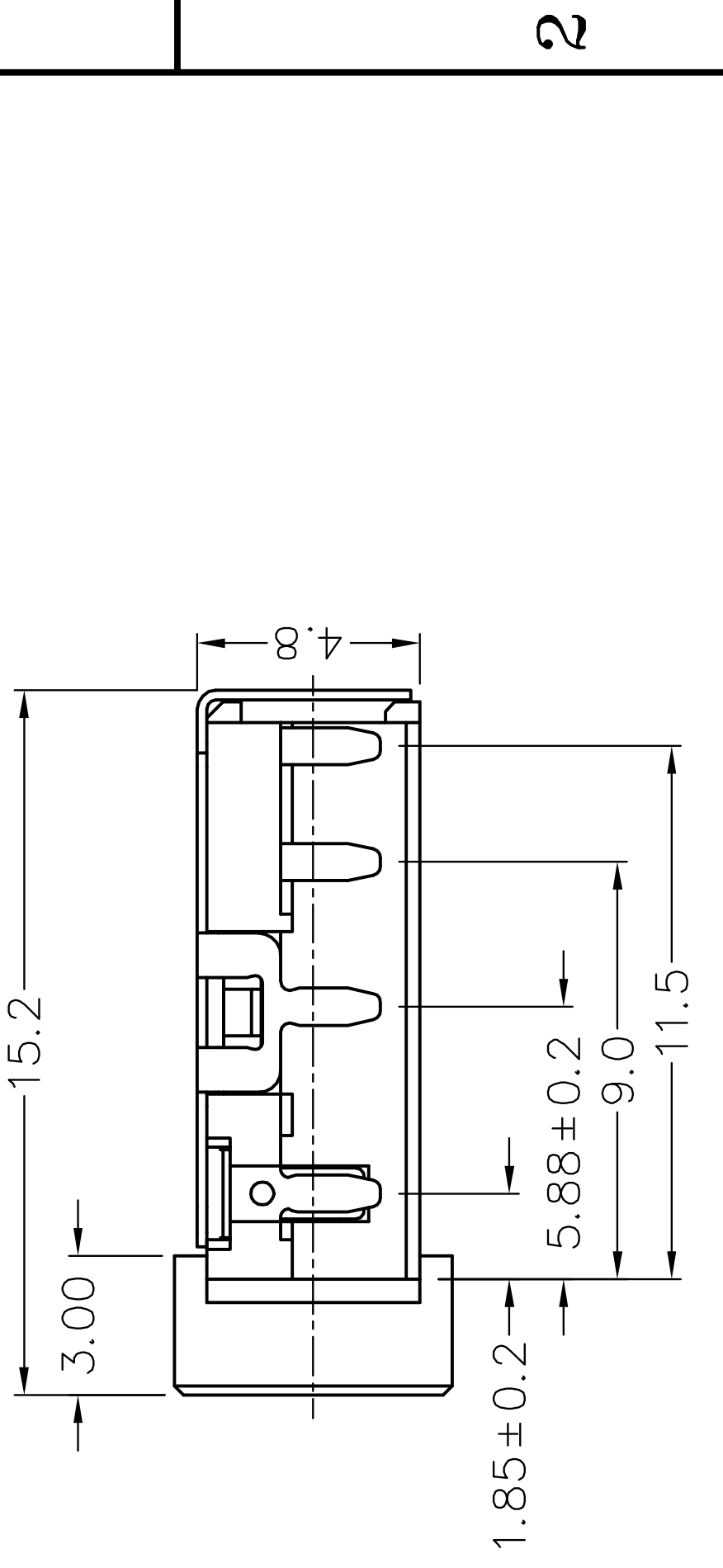


F		E		D		C		B		A	
								REVISION	APPROVAL	DATE	
ZONE		SYMBOL		DATE		APPROVAL		DATE			

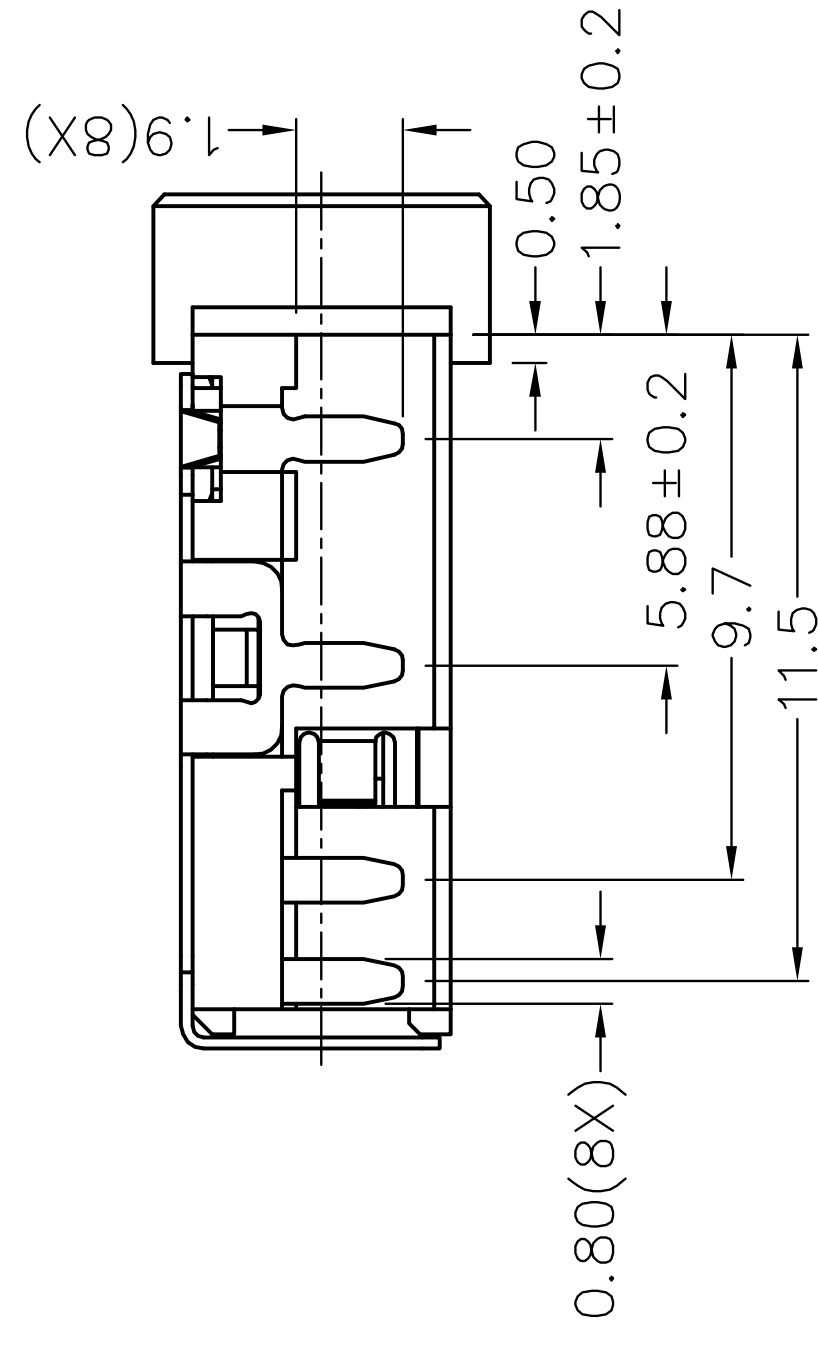
RoHS
Compliant



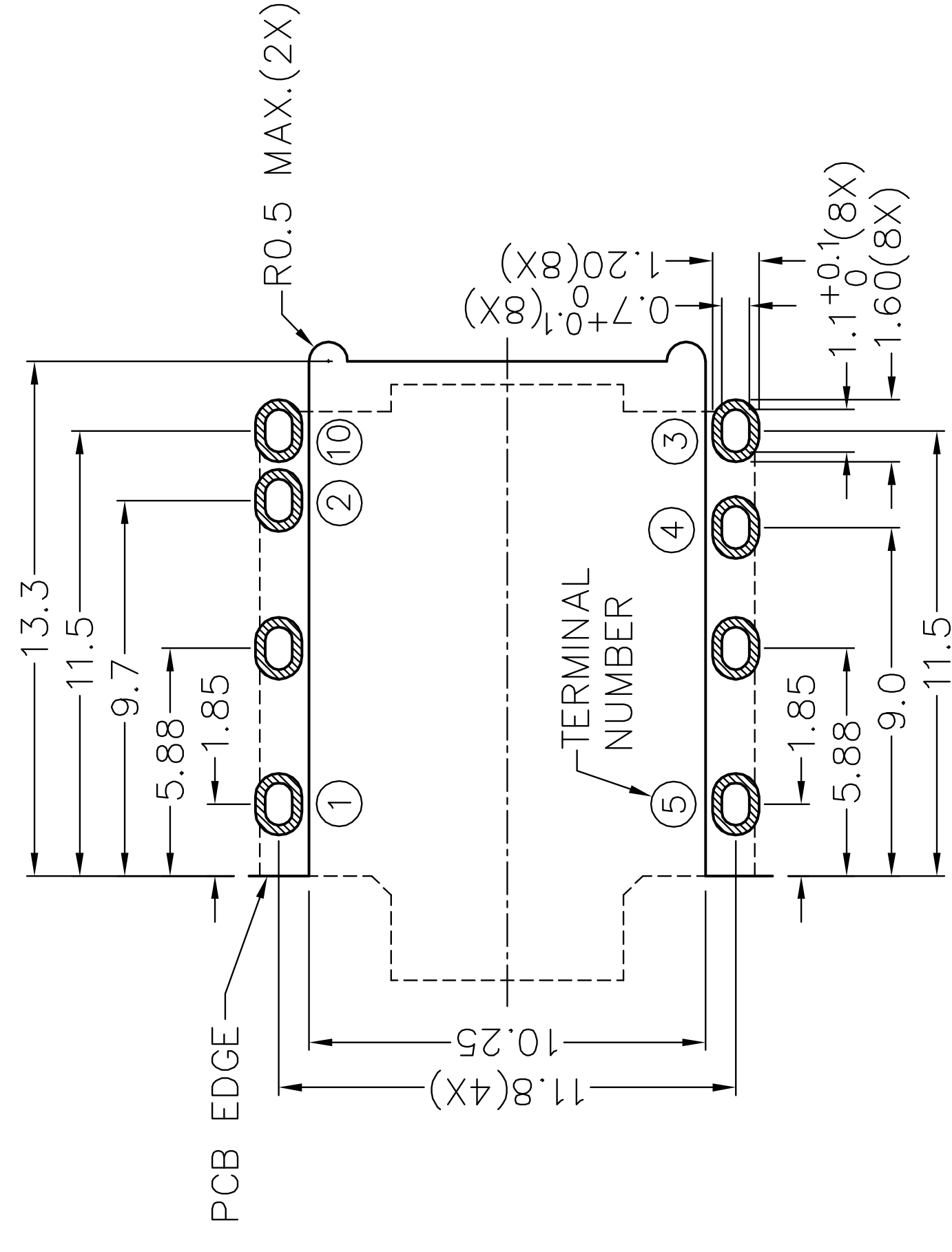
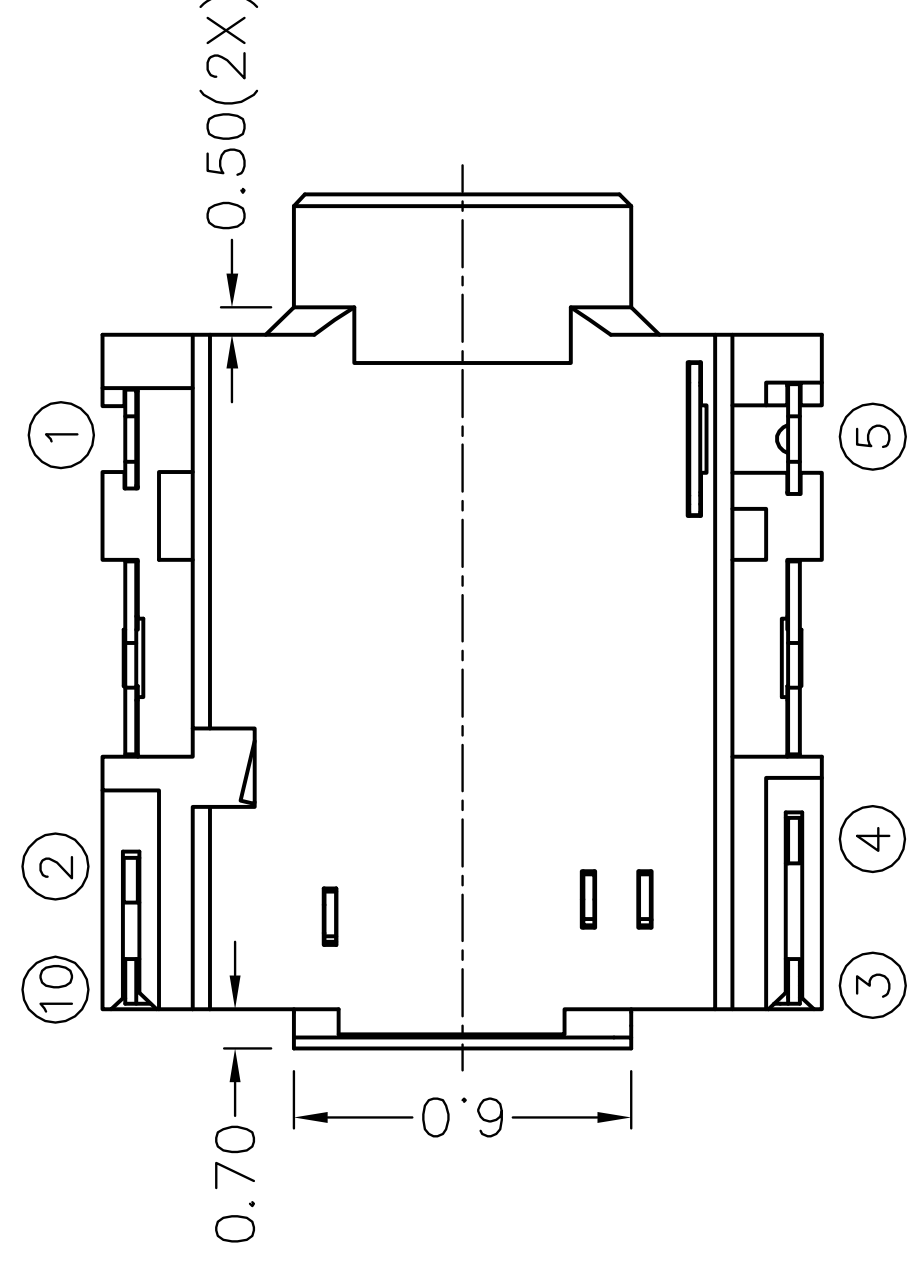
1



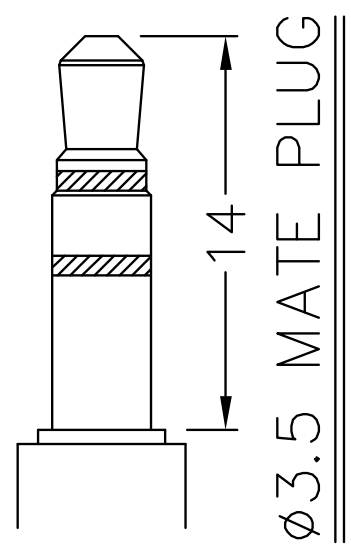
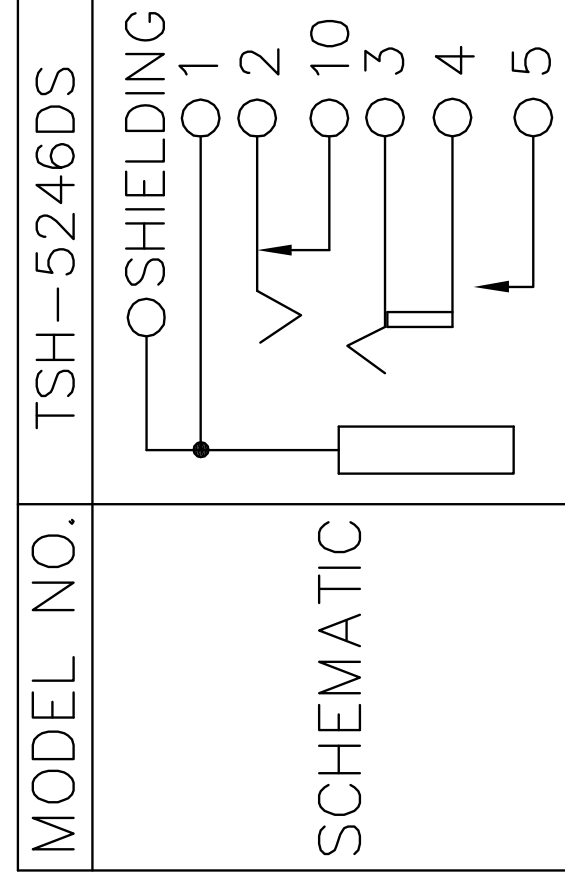
2



3



*** MATERIAL**
 TERMINAL 1 : COPPER ALLOY
 TERMINAL 2 : COPPER ALLOY
 TERMINAL 3 : COPPER ALLOY
 TERMINAL 4 : COPPER ALLOY
 TERMINAL 5 : COPPER ALLOY
 TERMINAL 10 : COPPER ALLOY
 SHIELD : COPPER ALLOY
 HOUSING : PA6T



4

PART NAME		3.5mm SMD STEREO JACK		TOLERANCE UNLESS		0.0±0.2		UNIT:		mm	
		PART NO.		TSH-524DS		OTHERWISE SPECIFIED:		0.000±0.05			
DESIGN		H.L.TAN		DATE		12-5-2011		SCALE		3:1	
DRAWING		H.L.TAN		DATE		12-5-2011		MATERIAL		*	
CHECK				DATE				DWG. NO.		TZ\SH524DS-PA6T/A	
APPROVAL				DATE				SHEET			

JOYNet Enterprise Co., Ltd.

F B A