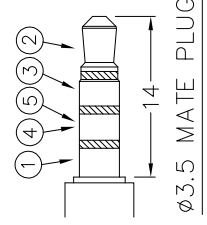
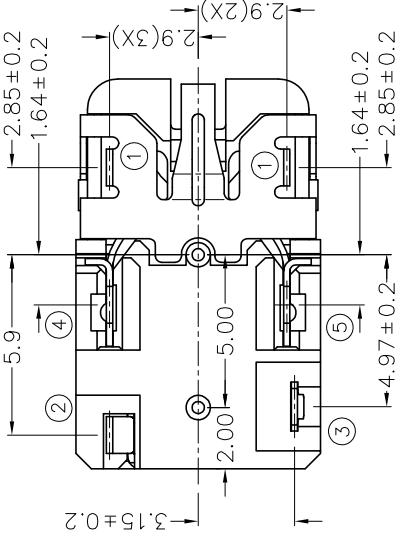
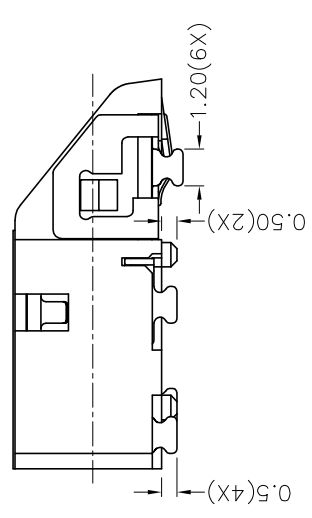
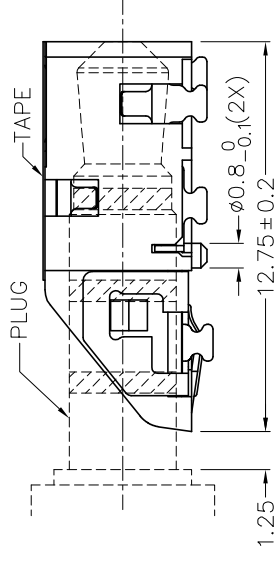
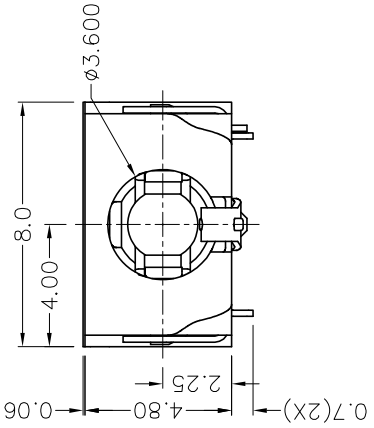
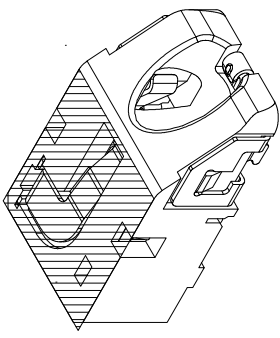
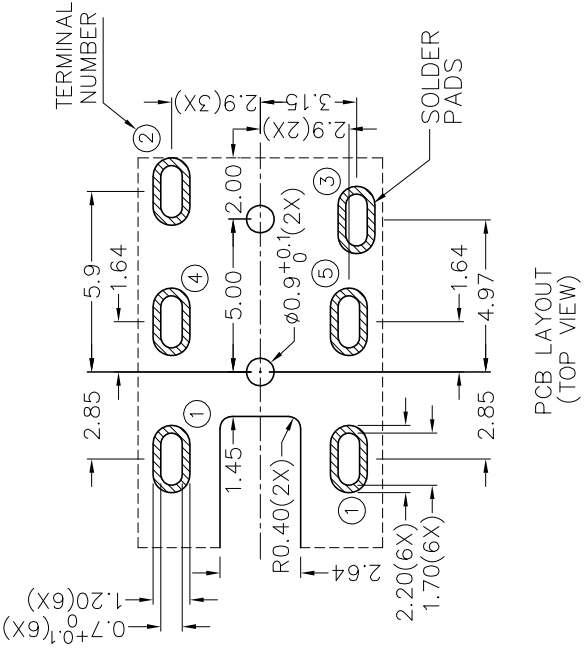
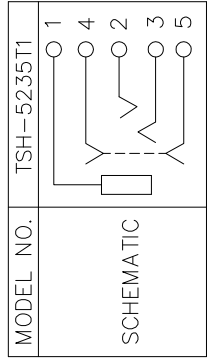


RoHS  
Compliant



\* MATERIAL

- TERMINAL 1 : COPPER ALLOY
- TERMINAL 2 : COPPER ALLOY
- TERMINAL 3 : COPPER ALLOY
- TERMINAL 4 : COPPER ALLOY
- TERMINAL 5 : COPPER ALLOY
- HOUSING : PA6T
- TAPE : POLYIMIDE



PCB LAYOUT  
(TOP VIEW)

**JOYNet Enterprise Co., Ltd.**

PART NAME	3.5mm STEREO JACK	TOLERANCE UNLESS	0.0±0.2	UNIT:	mm	DESIGN	G.P.YI	DATE	21-10-2009	SCALE	4:1
PART NO.	TSH-523T1	OTHERWISE SPECIFIED:	0.00±0.1			DRAWING	G.P.YI	DATE	30-12-2009	MATERIAL	*
			0.000±0.05			CHECK		DATE		DWG. NO.	TZ\SH523T1-PA6T/A
						APPROVAL		DATE		SHEET	