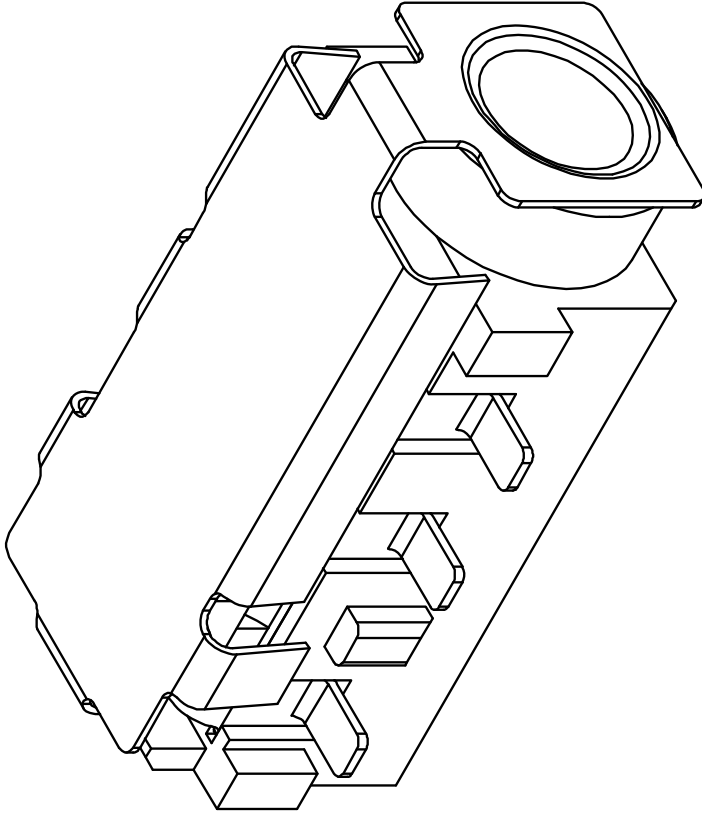
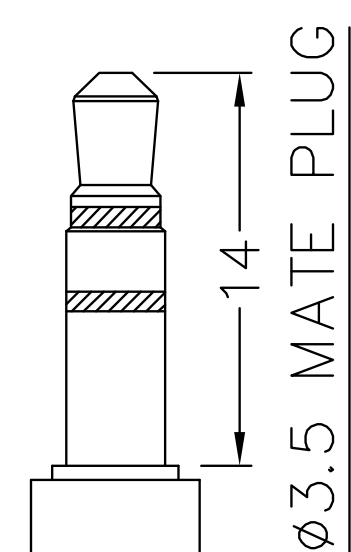
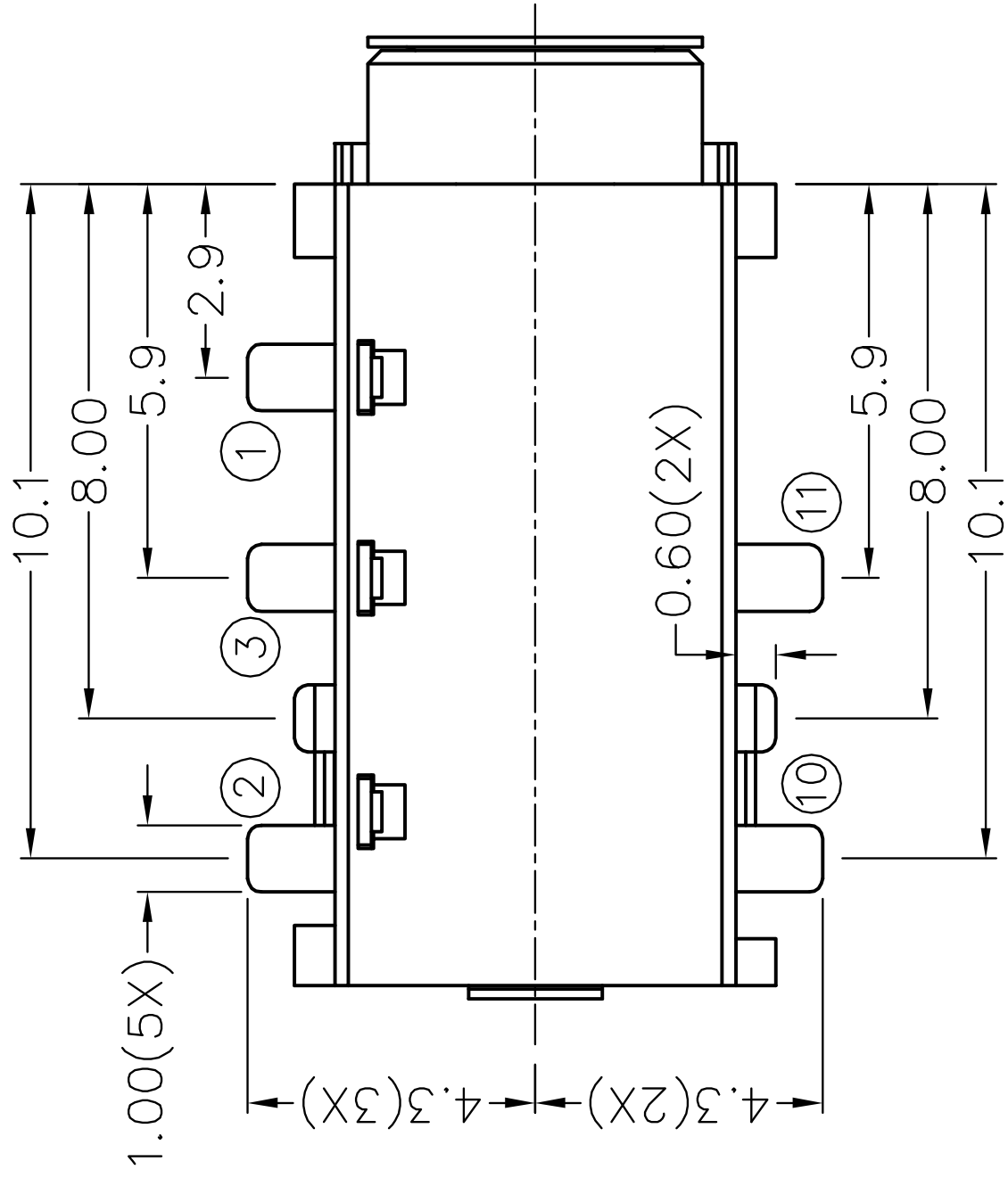
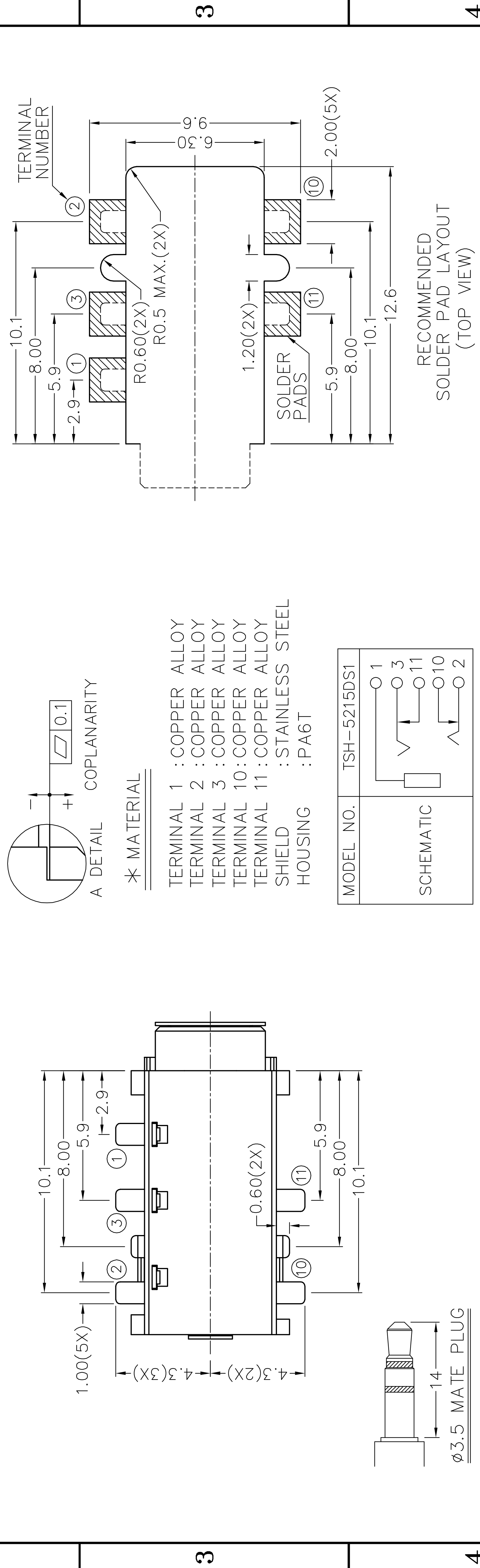
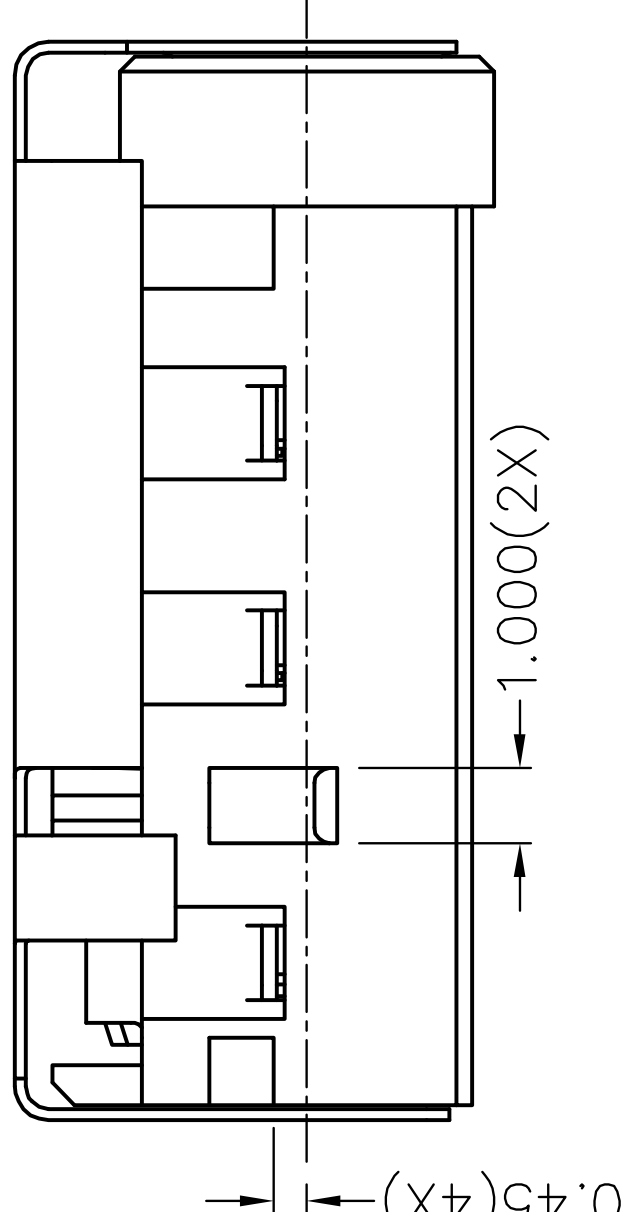
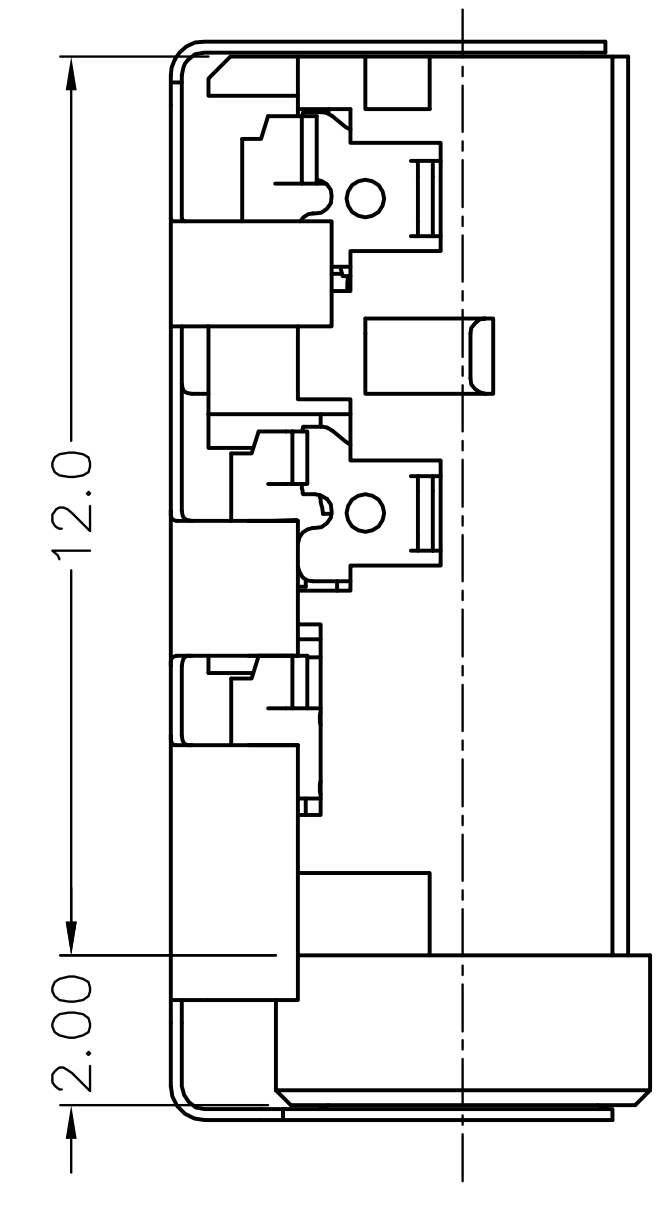
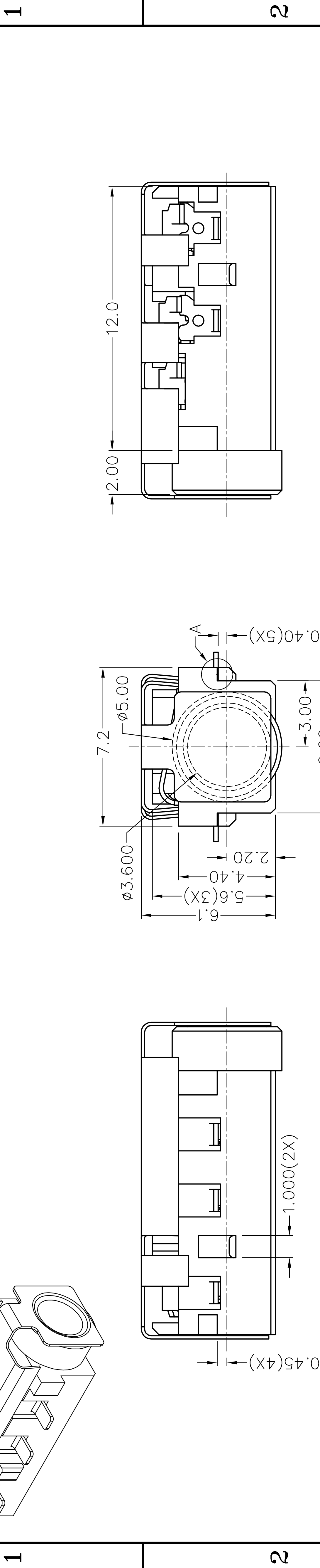



F		E		D		C		B		A	
						<div style="border: 1px solid black; padding: 5px; text-align: center;"> RoHS Compliant </div>		ZONE SYMBOL REVISION APPROVAL DATE			



F		E		D		C		B		A	
		TOLERANCE UNLESS OTHERWISE SPECIFIED: 0.000±0.05		TSH-521DS1		UNIT: mm		DESIGN DATE G.P.YI		SCALE 4:1	
PART NAME 3.5mm SMD STEREO JACK W/HANDING SHIELD		TSH-521DS1		TSH-5215DS1		DRAWING DATE G.P.YI		CHECK DATE G.P.YI		MATERIAL *	
PART NO.		TSH-521DS1		TSH-5215DS1		APPROVAL DATE		DWG. NO.		SHEET	
								TSH-5215DS1-PA6T/A			