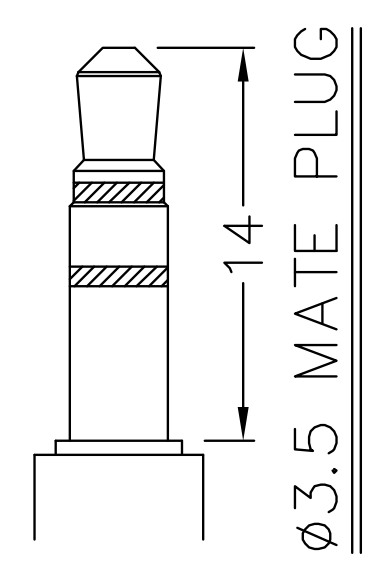
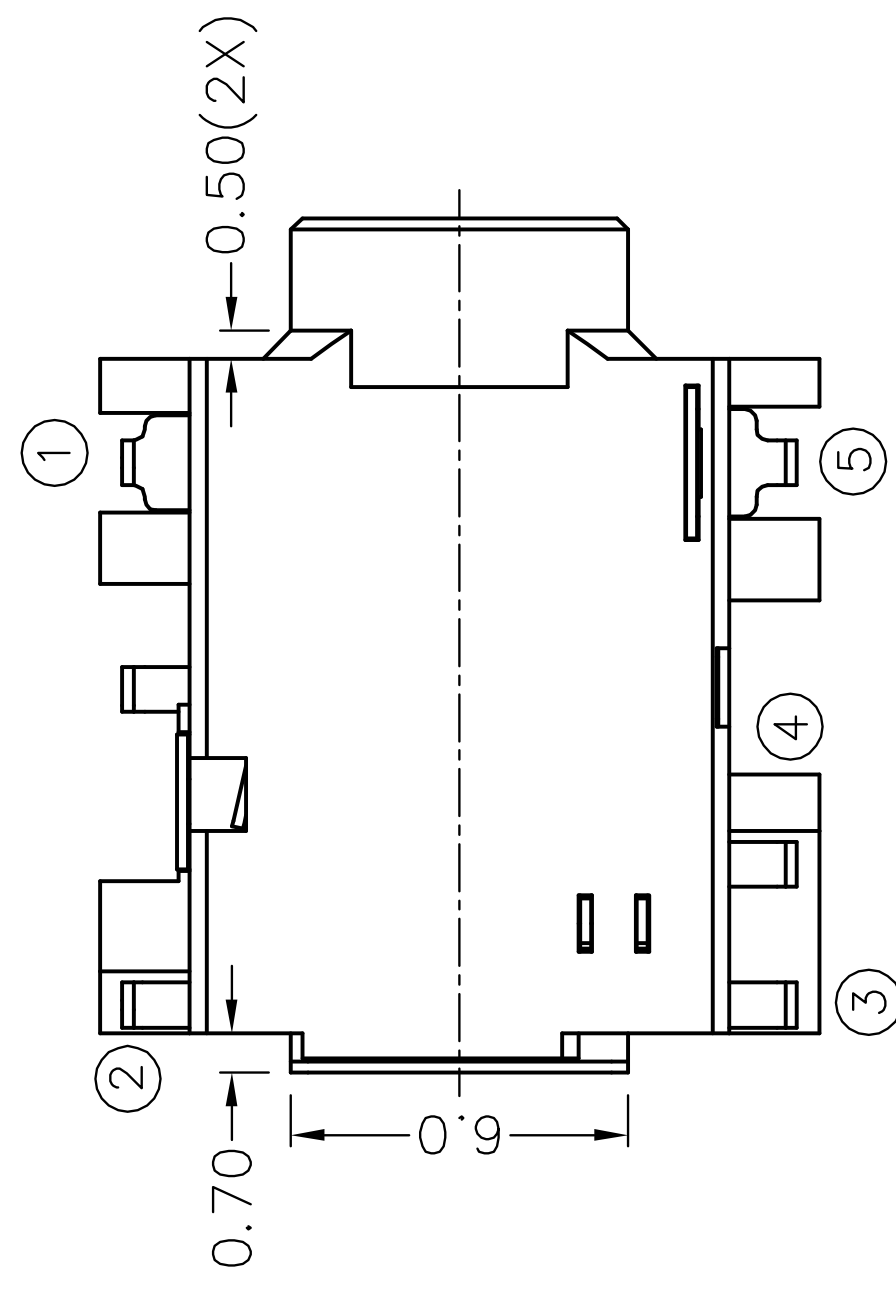
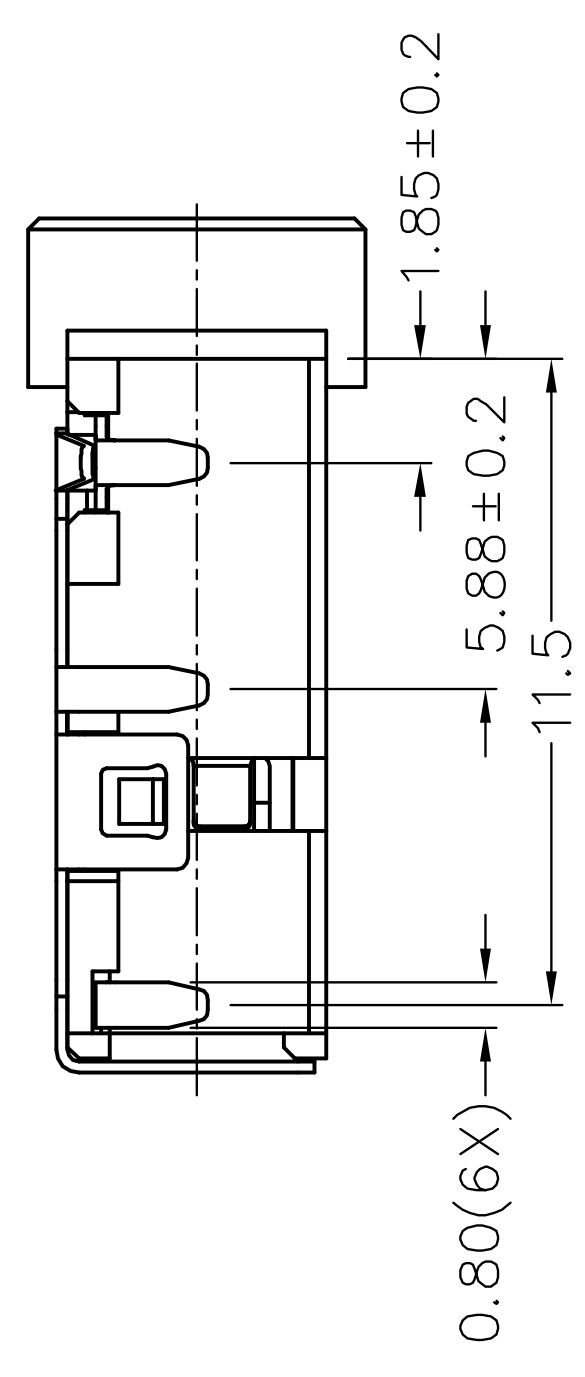
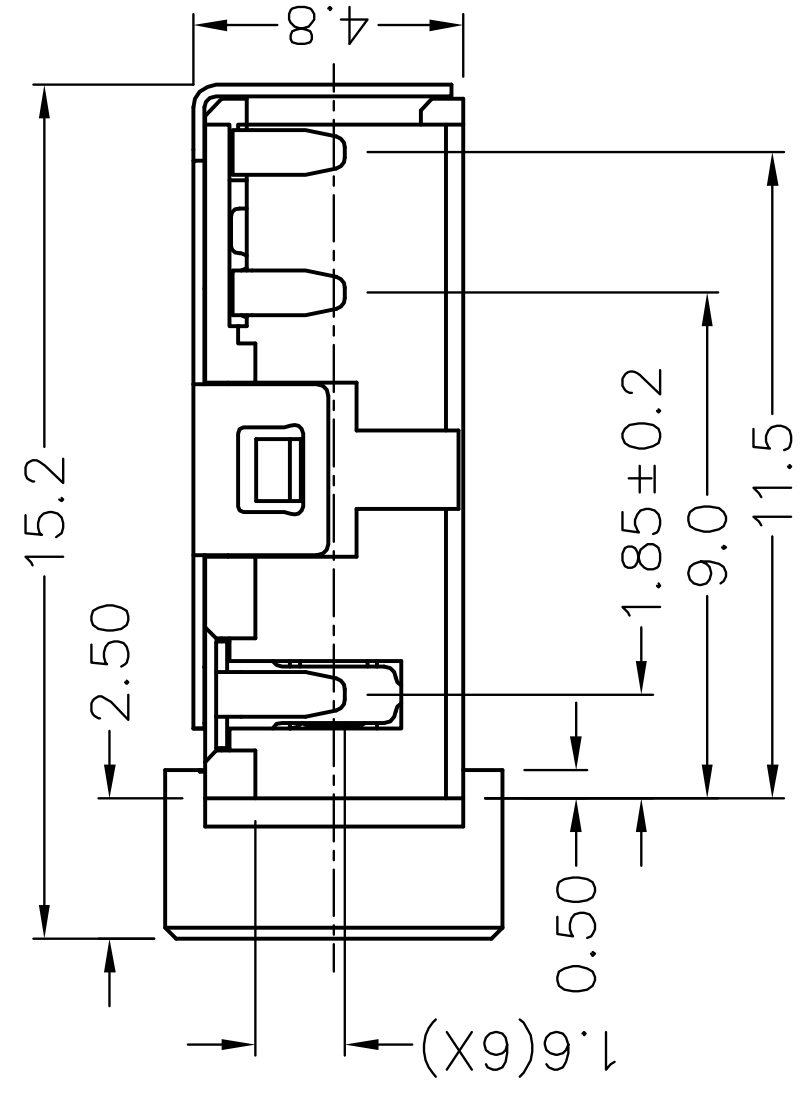
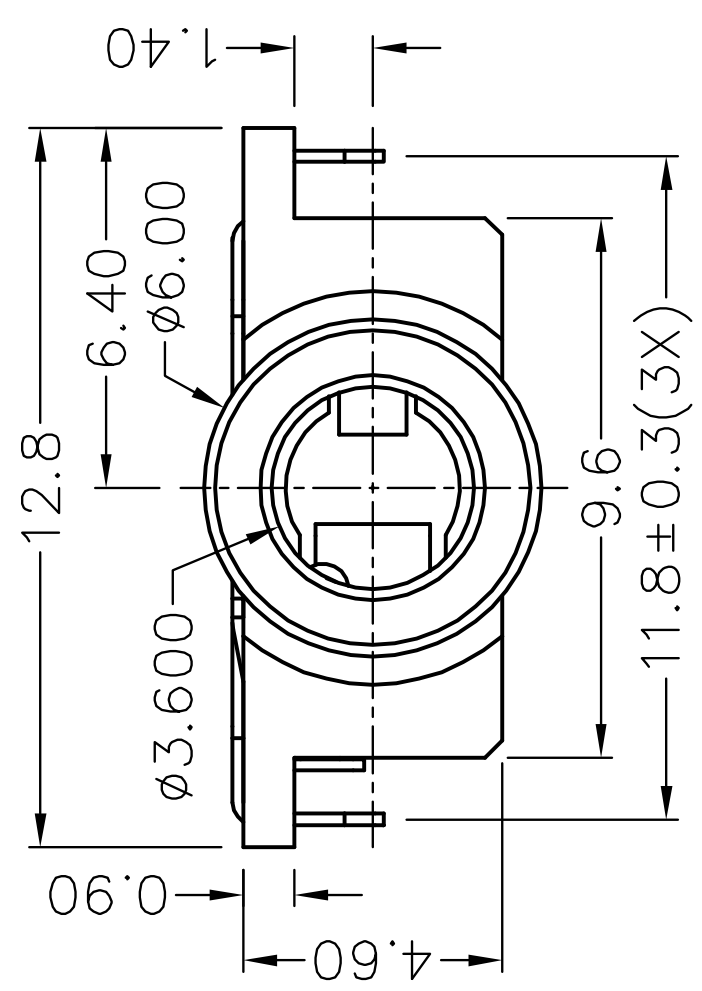
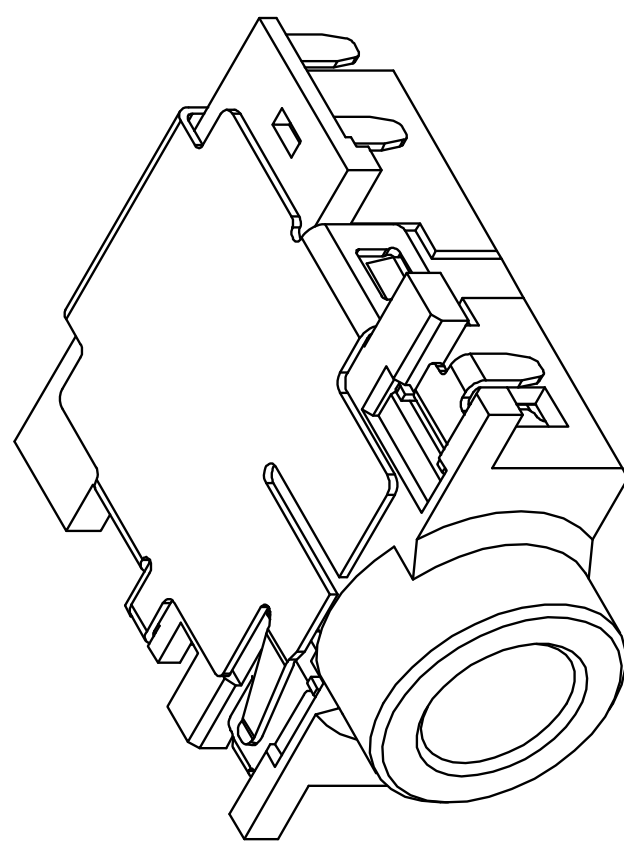
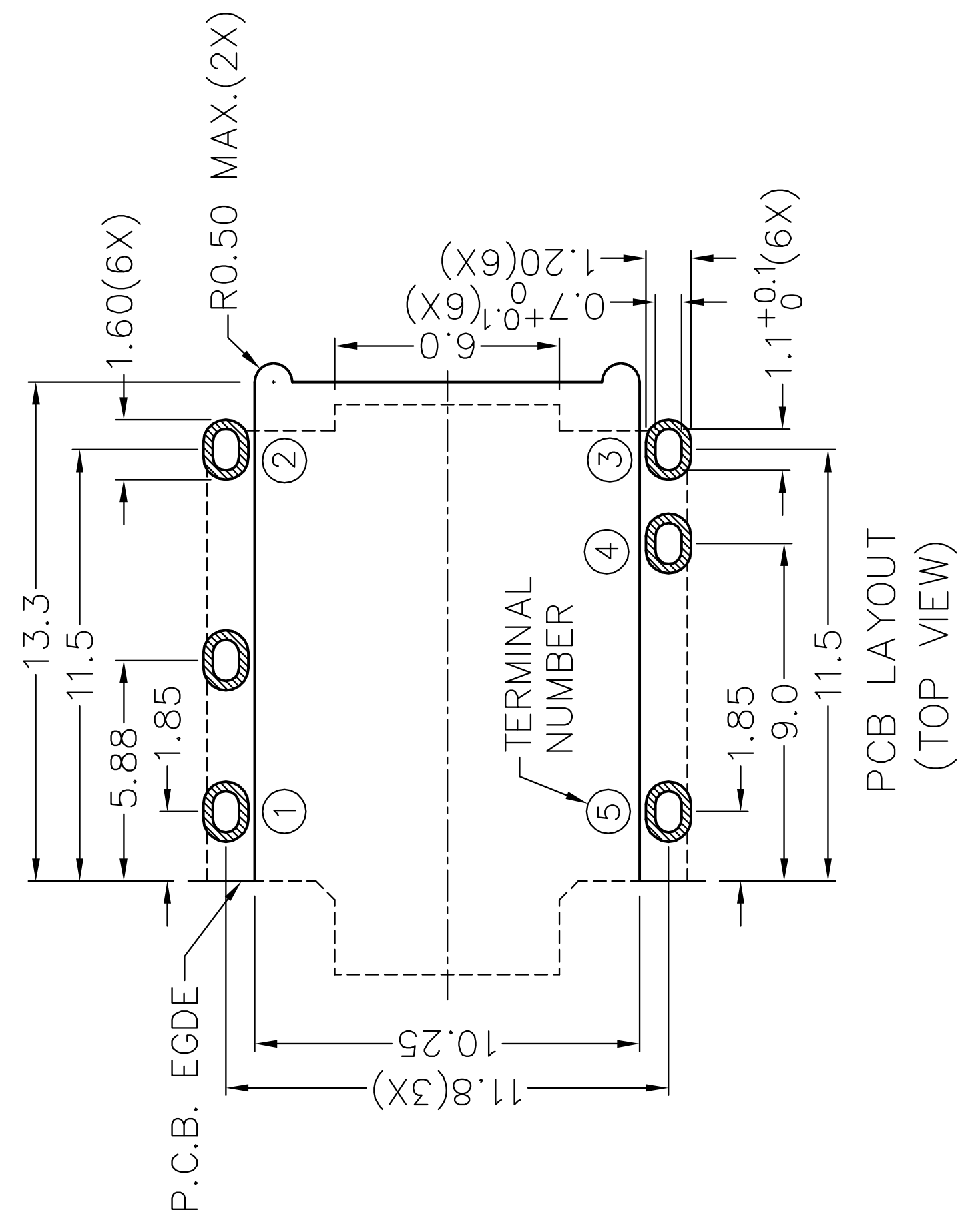
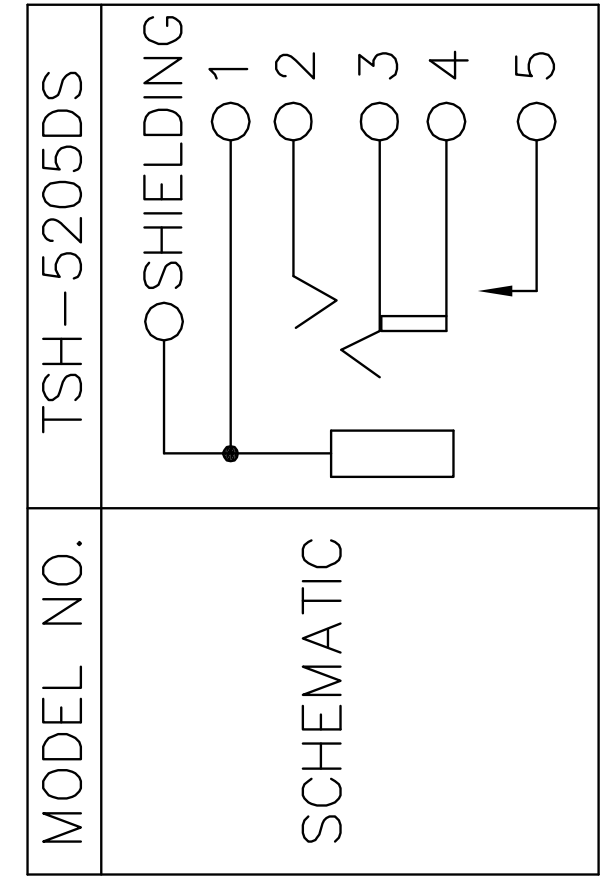


1		2		3		4		A	
								APPROVAL	DATE
1		2		3		4		A	
ZONE		SYMBOL		REVISION		APPROVAL		DATE	

RoHS
Compliant



- * MATERIAL**
- TERMINAL 1 : COPPER ALLOY
 - TERMINAL 2 : COPPER ALLOY
 - TERMINAL 3 : COPPER ALLOY
 - TERMINAL 4 : COPPER ALLOY
 - TERMINAL 5 : COPPER ALLOY
 - SHIELD : COPPER ALLOY
 - HOUSING : PA6T



1		2		3		4		A	
								SCALE	3:1
PART NAME		3.5mm SMD STEREO JACK		DESIGN		H.L.TAN		DATE	
PART NO.		TSH-520DS		DRAWING		H.L.TAN		DATE	
				CHECK				DATE	
				APPROVAL				DATE	
				UNIT:		TOLERANCE UNLESS		0.0±0.2	
				OTHERWISE SPECIFIED:		0.00±0.1		0.00±0.1	
				UNIT:		0.00±0.05		mm	
				APPROVAL				DATE	
				DRAWING				DATE	
				DESIGN				DATE	
				DRAWING				DATE	
				CHECK				DATE	
				APPROVAL				DATE	
				DRAWING				DATE	
				DESIGN				DATE	
				DRAWING				DATE	
				CHECK				DATE	
				APPROVAL				DATE	
				DRAWING				DATE	
				DESIGN				DATE	
				DRAWING				DATE	
				CHECK				DATE	
				APPROVAL				DATE	
				DRAWING				DATE	
				DESIGN				DATE	
				DRAWING				DATE	
				CHECK				DATE	
				APPROVAL				DATE	
				DRAWING				DATE	
				DESIGN				DATE	
				DRAWING				DATE	
				CHECK				DATE	
				APPROVAL				DATE	
				DRAWING				DATE	
				DESIGN				DATE	
				DRAWING				DATE	
				CHECK				DATE	
				APPROVAL				DATE	
				DRAWING				DATE	
				DESIGN				DATE	
				DRAWING				DATE	
				CHECK				DATE	
				APPROVAL				DATE	
				DRAWING				DATE	
				DESIGN				DATE	
				DRAWING				DATE	
				CHECK				DATE	
				APPROVAL				DATE	
				DRAWING				DATE	
				DESIGN				DATE	
				DRAWING				DATE	
				CHECK				DATE	
				APPROVAL				DATE	
				DRAWING				DATE	
				DESIGN				DATE	
				DRAWING				DATE	
				CHECK				DATE	
				APPROVAL				DATE	
				DRAWING				DATE	
				DESIGN				DATE	
				DRAWING				DATE	
				CHECK				DATE	
				APPROVAL				DATE	
				DRAWING				DATE	
				DESIGN				DATE	
				DRAWING				DATE	
				CHECK				DATE	
				APPROVAL				DATE	
				DRAWING				DATE	
				DESIGN				DATE	
				DRAWING				DATE	
				CHECK				DATE	
				APPROVAL				DATE	
				DRAWING				DATE	
				DESIGN				DATE	
				DRAWING				DATE	
				CHECK				DATE	
				APPROVAL				DATE	
				DRAWING				DATE	
				DESIGN				DATE	
				DRAWING				DATE	
				CHECK				DATE	
				APPROVAL				DATE	
				DRAWING				DATE	
				DESIGN				DATE	
				DRAWING				DATE	
				CHECK				DATE	
				APPROVAL				DATE	
				DRAWING				DATE	
				DESIGN				DATE	
				DRAWING				DATE	
				CHECK				DATE	
				APPROVAL				DATE	
				DRAWING				DATE	
				DESIGN				DATE	
				DRAWING				DATE	
				CHECK				DATE	
				APPROVAL				DATE	
				DRAWING				DATE	
				DESIGN				DATE	
				DRAWING				DATE	
				CHECK				DATE	
				APPROVAL				DATE	
				DRAWING				DATE	
				DESIGN				DATE	
				DRAWING				DATE	
				CHECK				DATE	
				APPROVAL				DATE	
				DRAWING				DATE	
				DESIGN				DATE	
				DRAWING				DATE	
				CHECK				DATE	
				APPROVAL				DATE	
				DRAWING				DATE	
				DESIGN				DATE	
				DRAWING				DATE	
				CHECK				DATE	
				APPROVAL				DATE	
				DRAWING				DATE	
				DESIGN				DATE	
				DRAWING				DATE	
				CHECK				DATE	
				APPROVAL				DATE	
				DRAWING				DATE	
				DESIGN				DATE	
				DRAWING				DATE	
				CHECK				DATE	
				APPROVAL				DATE	
				DRAWING				DATE	
				DESIGN				DATE	
				DRAWING				DATE	
				CHECK				DATE	
				APPROVAL				DATE	
				DRAWING				DATE	
				DESIGN				DATE	
				DRAWING				DATE	
				CHECK				DATE	
				APPROVAL				DATE	
				DRAWING				DATE	
				DESIGN				DATE	
				DRAWING				DATE	
				CHECK				DATE	
				APPROVAL				DATE	
				DRAWING				DATE	
				DESIGN				DATE	
				DRAWING				DATE	
				CHECK				DATE	
				APPROVAL				DATE	
				DRAWING				DATE	
				DESIGN				DATE	
				DRAWING				DATE	
				CHECK				DATE	
				APPROVAL				DATE	
				DRAWING				DATE	
				DESIGN				DATE	
				DRAWING				DATE	
				CHECK				DATE	
				APPROVAL				DATE	
				DRAWING				DATE	
				DESIGN				DATE	
				DRAWING				DATE	
				CHECK				DATE	
				APPROVAL				DATE	
				DRAWING				DATE	
				DESIGN				DATE	
				DRAWING				DATE	
				CHECK				DATE	
				APPROVAL				DATE	
				DRAWING				DATE	
				DESIGN				DATE	
				DRAWING				DATE	
				CHECK				DATE	
				APPROVAL				DATE	
				DRAWING				DATE	
				DESIGN				DATE	
				DRAWING				DATE	
				CHECK				DATE	
				APPROVAL				DATE	
				DRAWING				DATE	
				DESIGN				DATE	
				DRAWING				DATE	
				CHECK				DATE	
				APPROVAL				DATE	
				DRAWING				DATE	
				DESIGN				DATE	
				DRAWING				DATE	
				CHECK				DATE	
				APPROVAL				DATE	
				DRAWING				DATE	
				DESIGN				DATE	
				DRAWING				DATE	
				CHECK				DATE	
				APPROVAL				DATE	
				DRAWING				DATE	
				DESIGN				DATE	
				DRAWING				DATE	
				CHECK				DATE	
				APPROVAL				DATE	
				DRAWING				DATE	
				DESIGN				DATE	
				DRAWING				DATE	
				CHECK				DATE	
				APPROVAL				DATE	
				DRAWING				DATE	
				DESIGN				DATE	
				DRAWING				DATE	
				CHECK				DATE	
				APPROVAL				DATE	
				DRAWING				DATE	
				DESIGN				DATE	