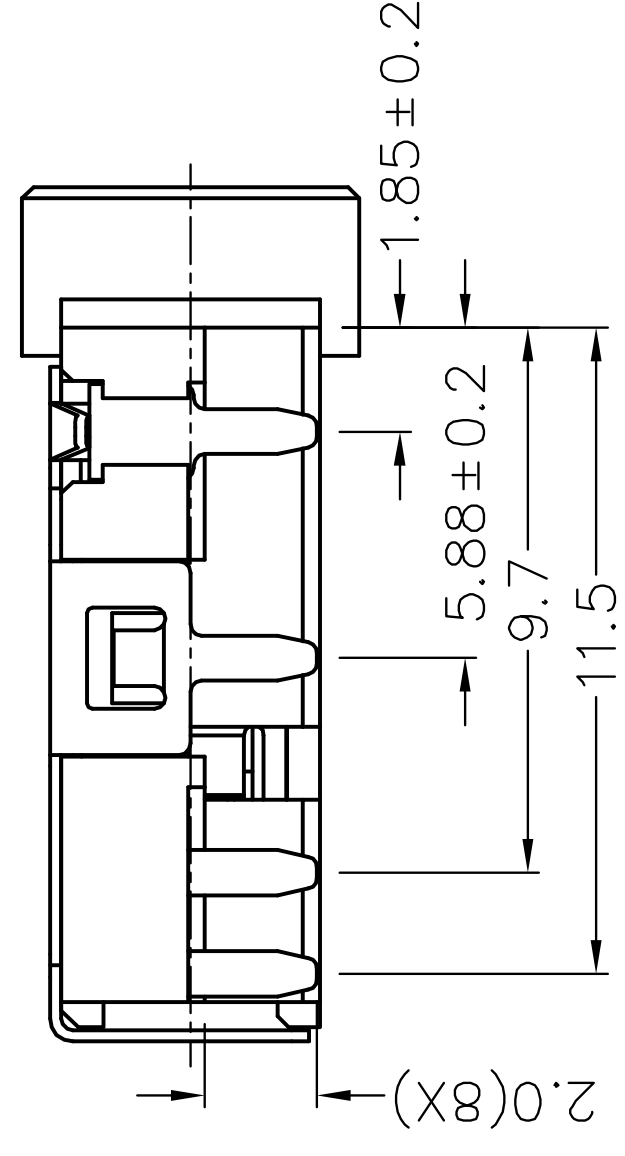
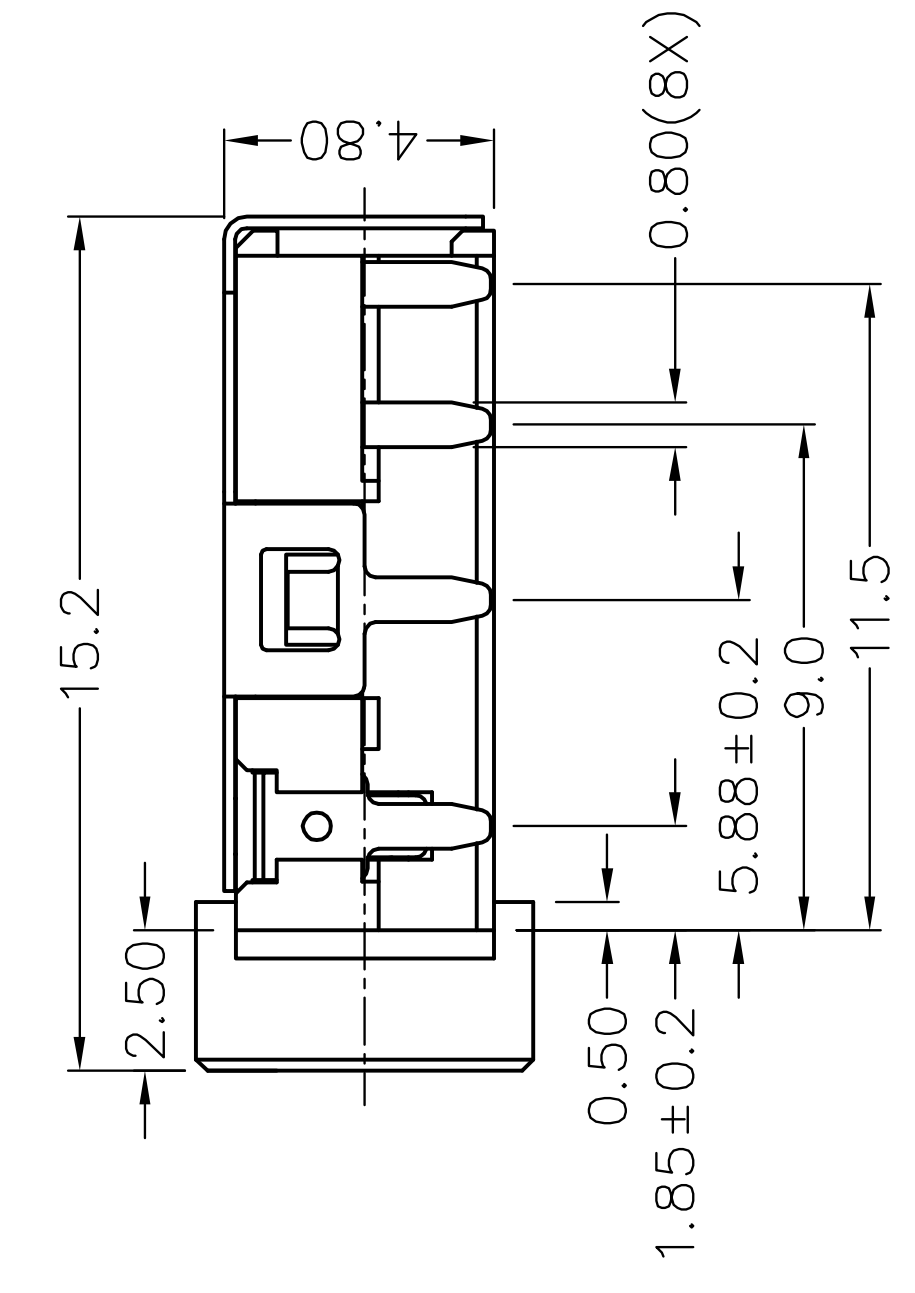
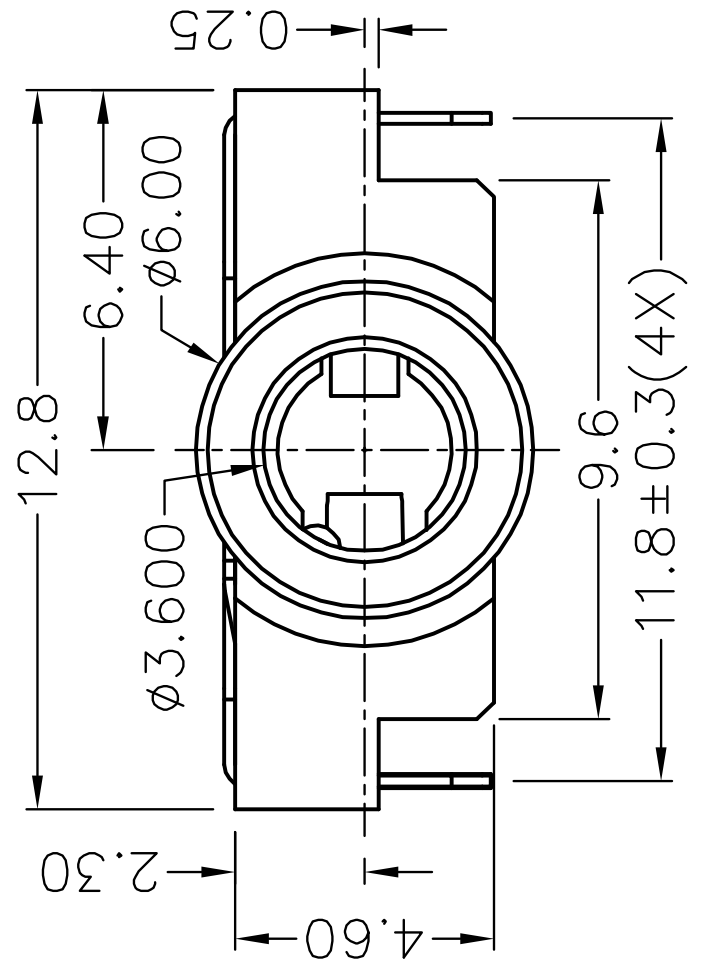
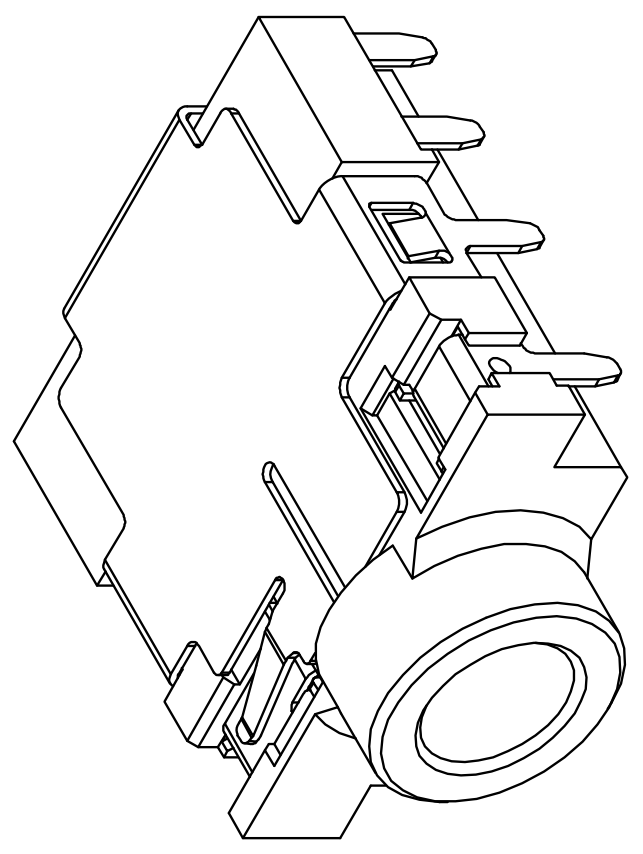
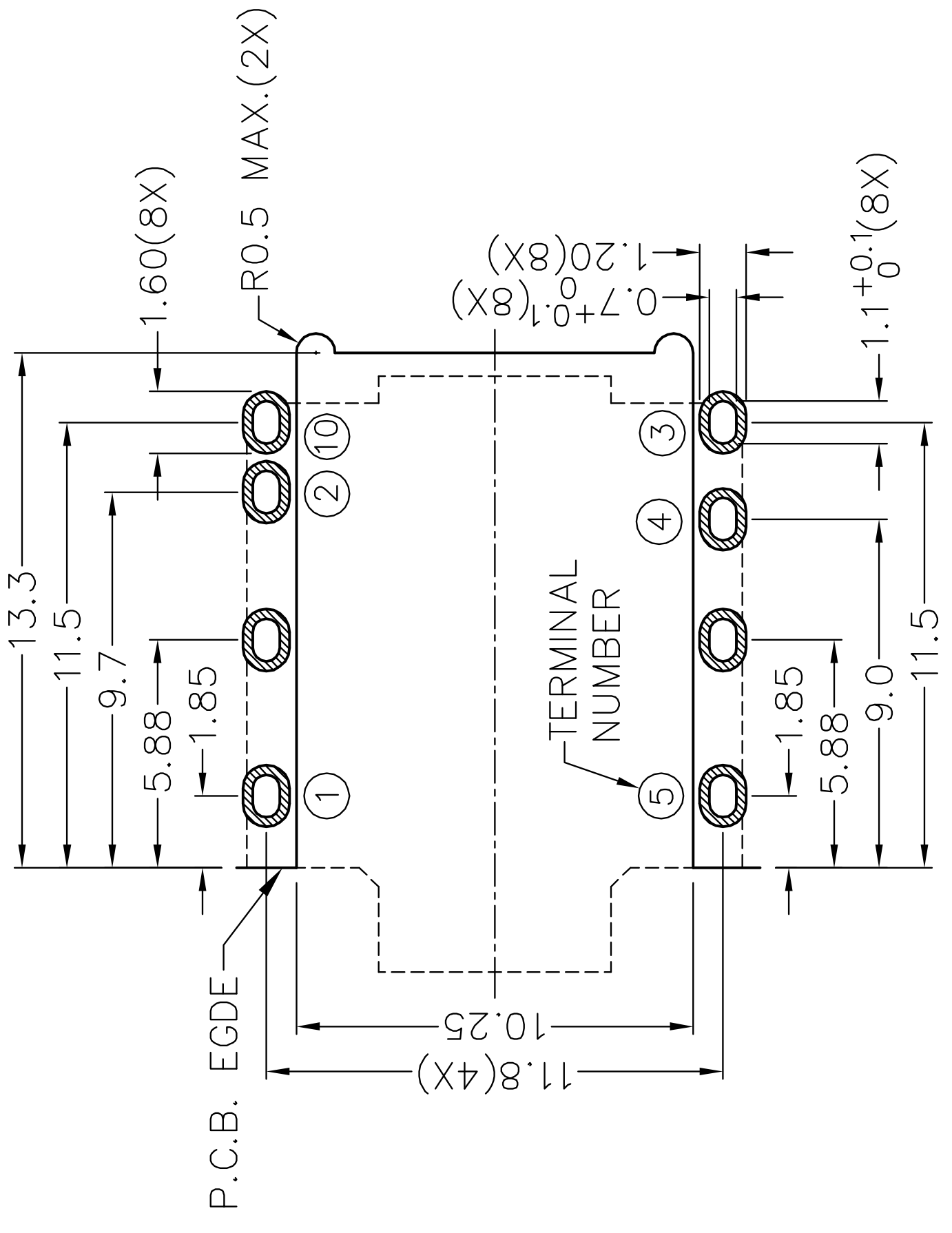
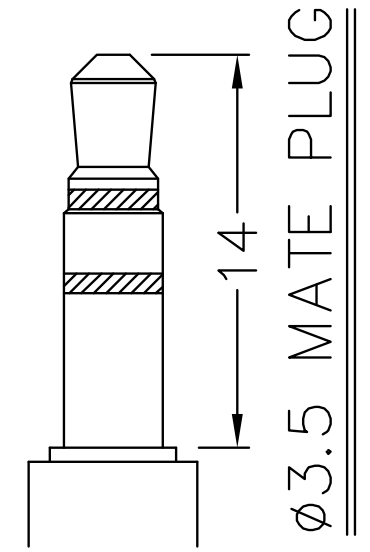
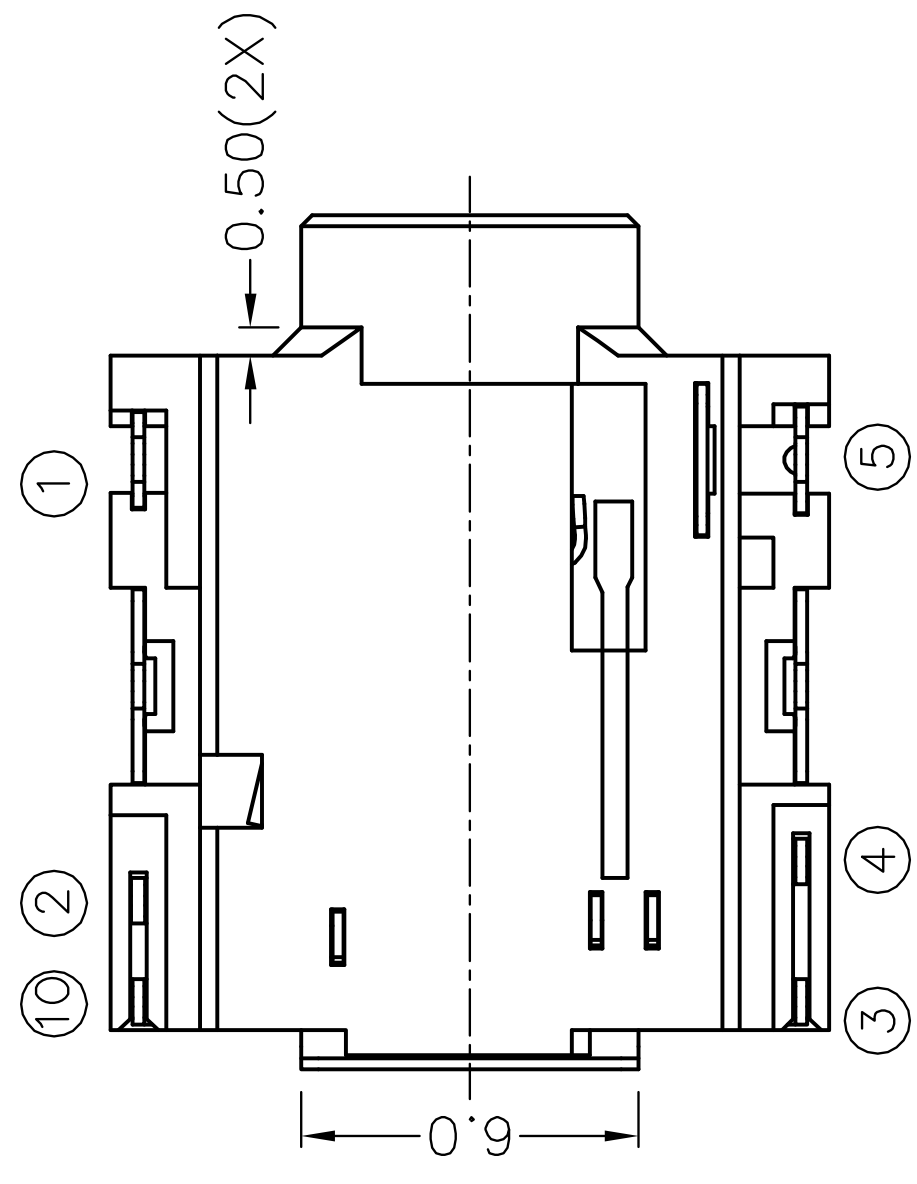
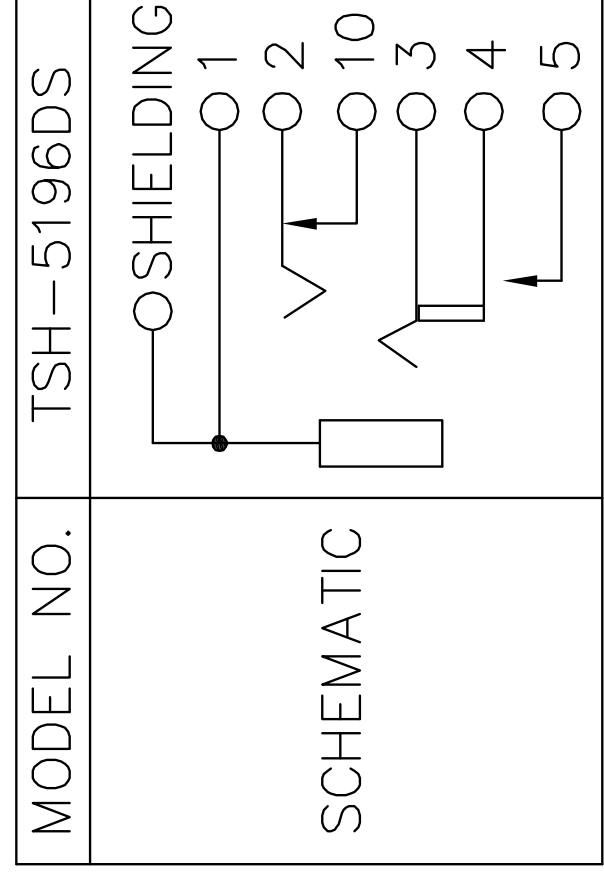


1		2		3		4	
F		E		D		C	
A		B		A		A	
DATE		REVISION		APPROVAL		DATE	

**RoHS**  
Compliant



**\* MATERIAL**  
 TERMINAL 1 : COPPER ALLOY  
 TERMINAL 2 : COPPER ALLOY  
 TERMINAL 3 : COPPER ALLOY  
 TERMINAL 4 : COPPER ALLOY  
 TERMINAL 5 : COPPER ALLOY  
 TERMINAL 10 : COPPER ALLOY  
 SHIELD : COPPER ALLOY  
 HOUSING : PA6T



PCB LAYOUT  
(TOP VIEW)

PART NAME		3.5mm SMD STEREO JACK		TOLERANCE UNLESS		0.0±0.2		DESIGN		H.L.TAN		DATE		12-5-2011		SCALE		3:1	
PART NO.		TSH-519DS		OTHERWISE SPECIFIED:		0.00±0.1		DRAWING		H.L.TAN		DATE		12-5-2011		MATERIAL		*	
						0.000±0.05		CHECK				DATE				DWG. NO.		TZ\SH519DS-PA6T/A	
								APPROVAL				DATE				SHEET			

**JOYNet Enterprise Co., Ltd.**