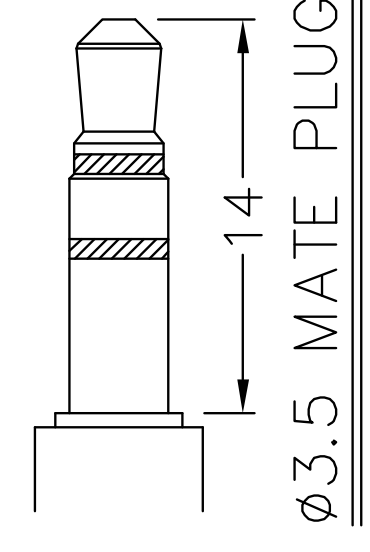
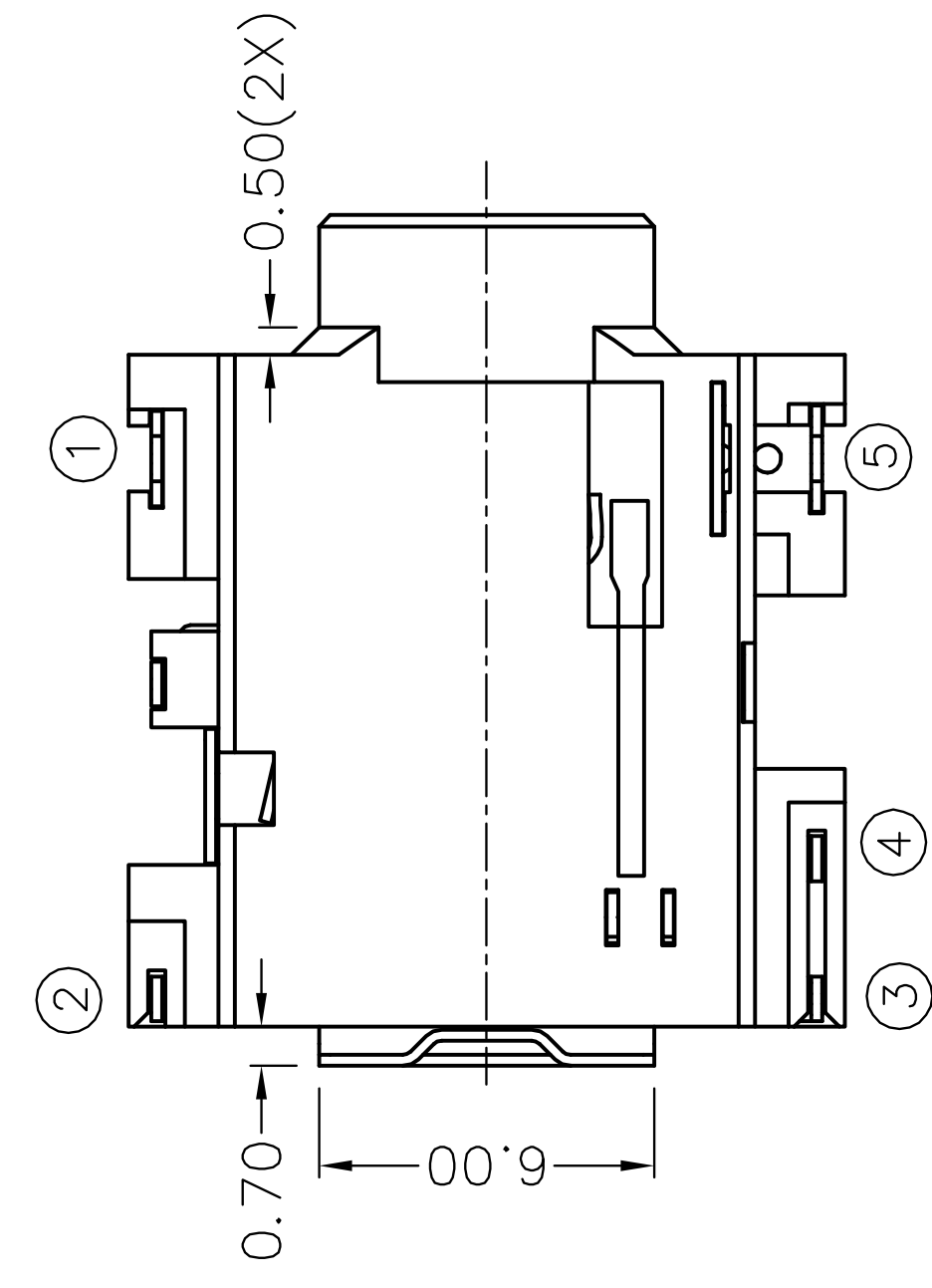
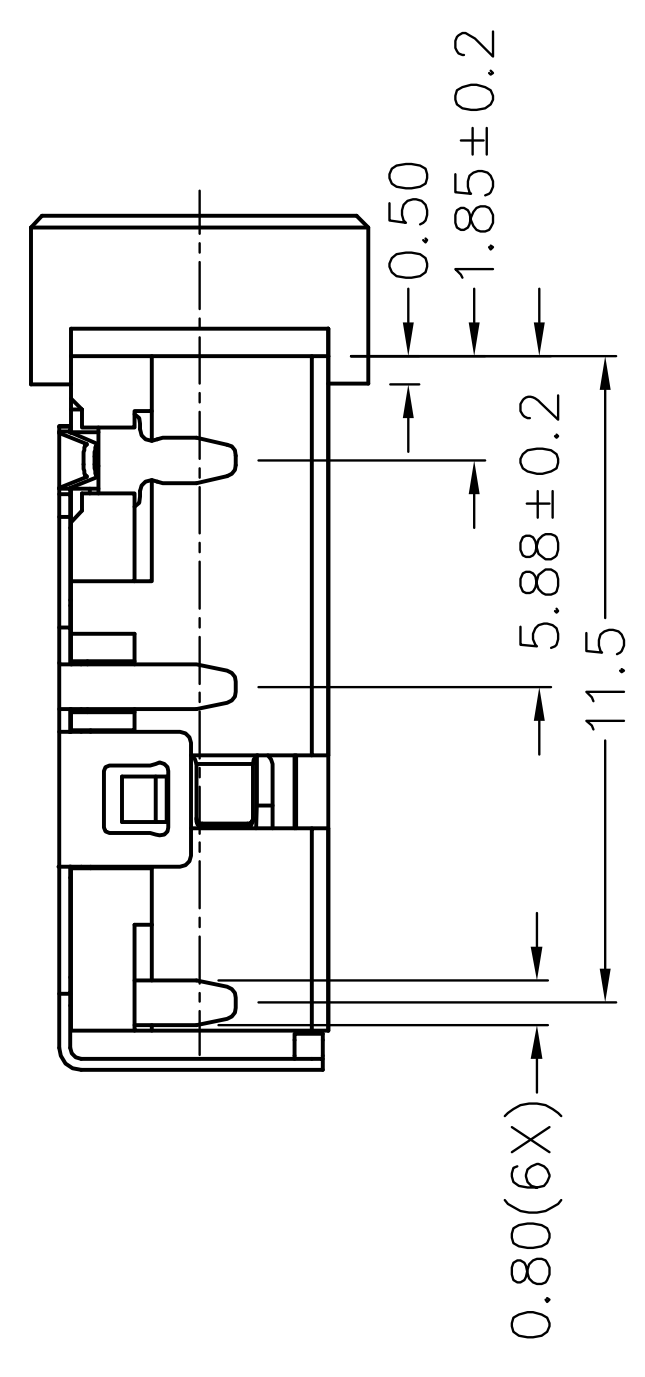
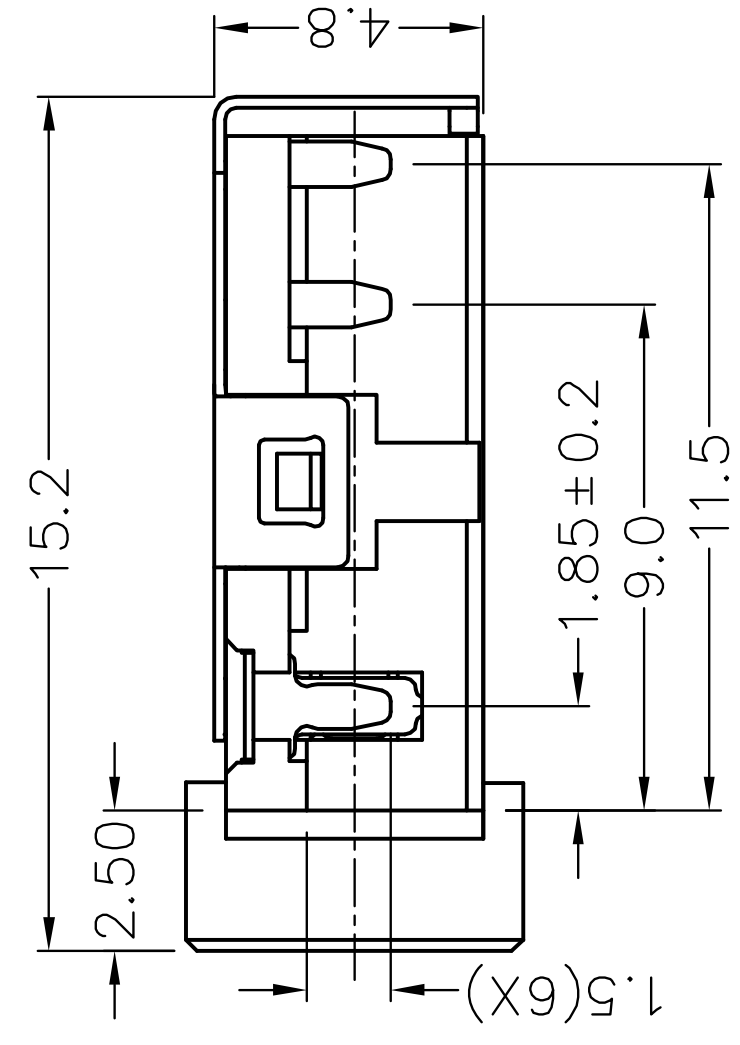
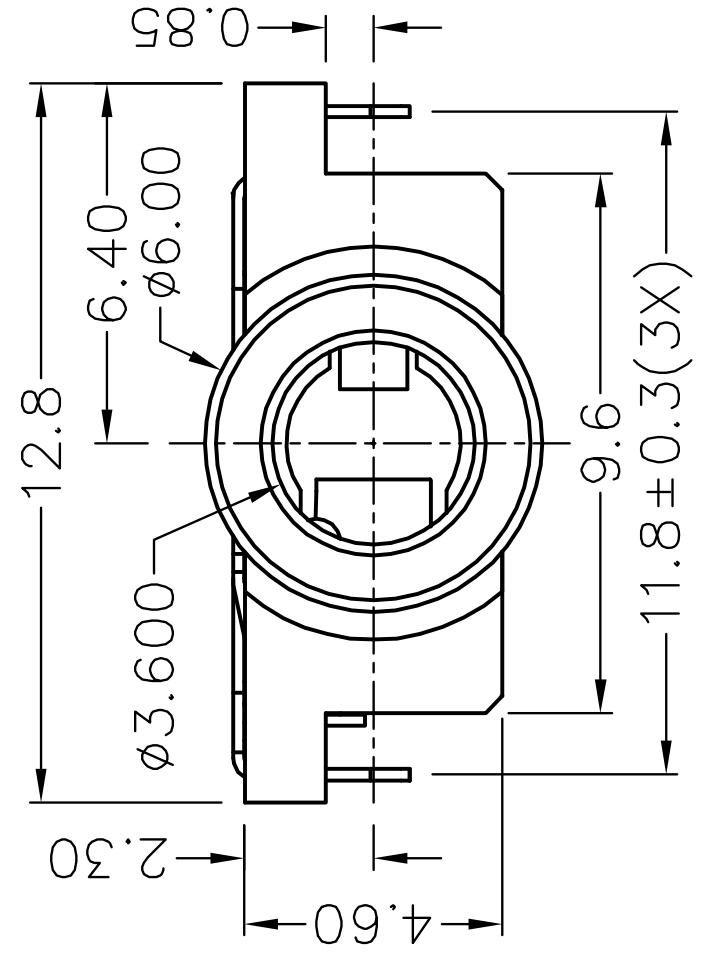
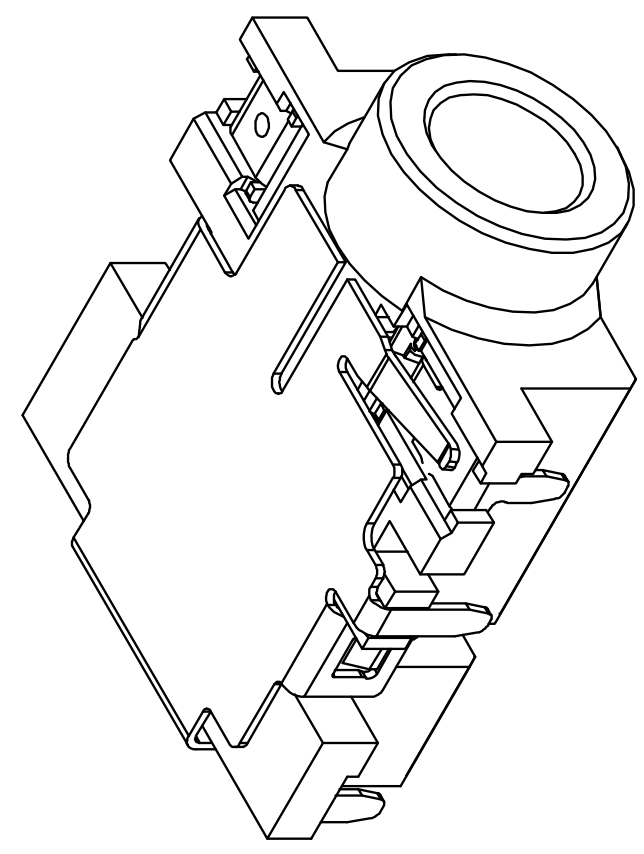


1		2		3		4	
ZONE	SYMBOL	REVISION	APPROVAL	DATE			

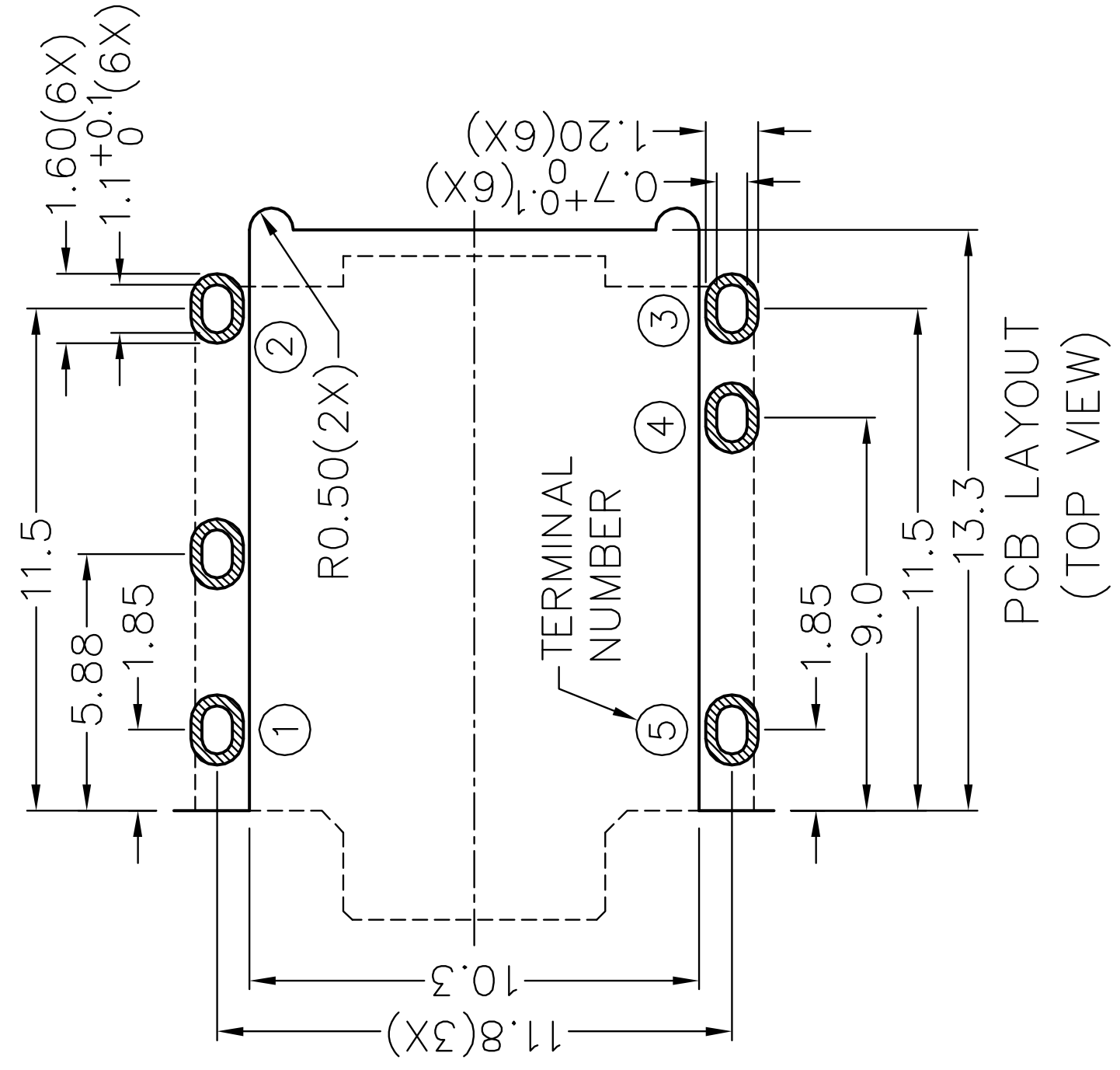
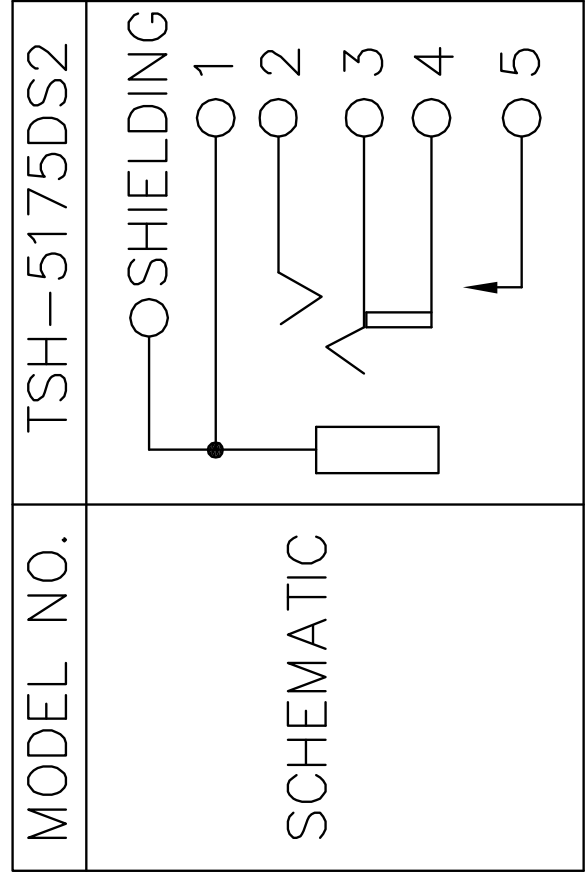
1		2		3		4	
PART NAME	3.5mm SMD STEREO JACK	TOLERANCE UNLESS	0.0±0.2	DESIGN	H.L.TAN	DATE	12-5-2011
PART NO.	TSH-517DS2	OTHERWISE SPECIFIED:	0.00±0.1 0.000±0.05	DRAWING	H.L.TAN	DATE	12-5-2011
				CHECK		DATE	
				APPROVAL		DATE	

1		2		3		4	
F		E		D		C	
A		B		A		A	

RoHS
Compliant



- * MATERIAL**
- TERMINAL 1 : COPPER ALLOY
 - TERMINAL 2 : COPPER ALLOY
 - TERMINAL 3 : COPPER ALLOY
 - TERMINAL 4 : COPPER ALLOY
 - TERMINAL 5 : COPPER ALLOY
 - SHIELD : COPPER ALLOY
 - HOUSING : PA6T



JOYNet Enterprise Co., Ltd.

PART NAME		3.5mm SMD STEREO JACK	TOLERANCE UNLESS	0.0±0.2	DESIGN	H.L.TAN	DATE	12-5-2011	SCALE	3:1
PART NO.		TSH-517DS2	OTHERWISE SPECIFIED:	0.00±0.1 0.000±0.05	DRAWING	H.L.TAN	DATE	12-5-2011	MATERIAL	*
					CHECK		DATE		DWG. NO.	TZ\SH517DS2-PA6T/A
					APPROVAL		DATE		SHEET	