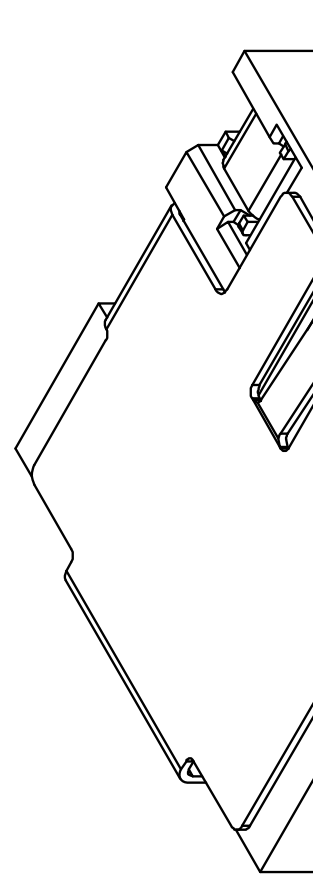
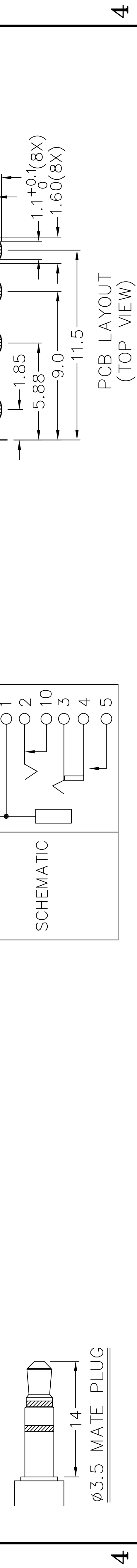
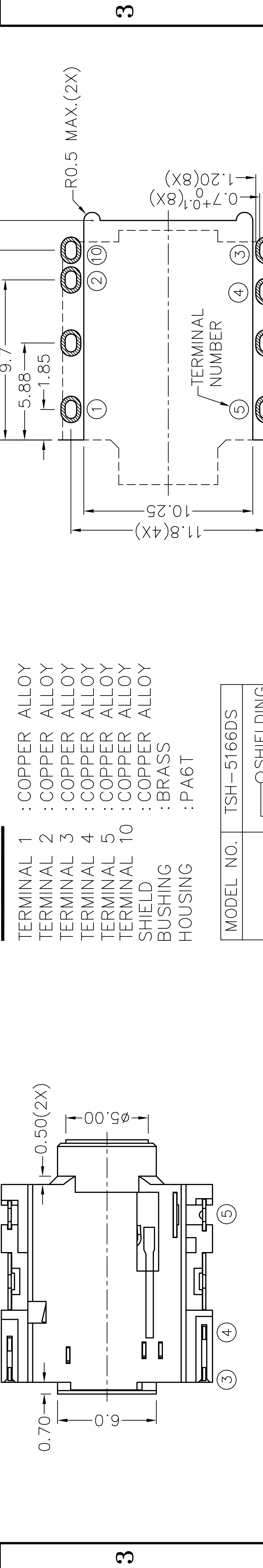
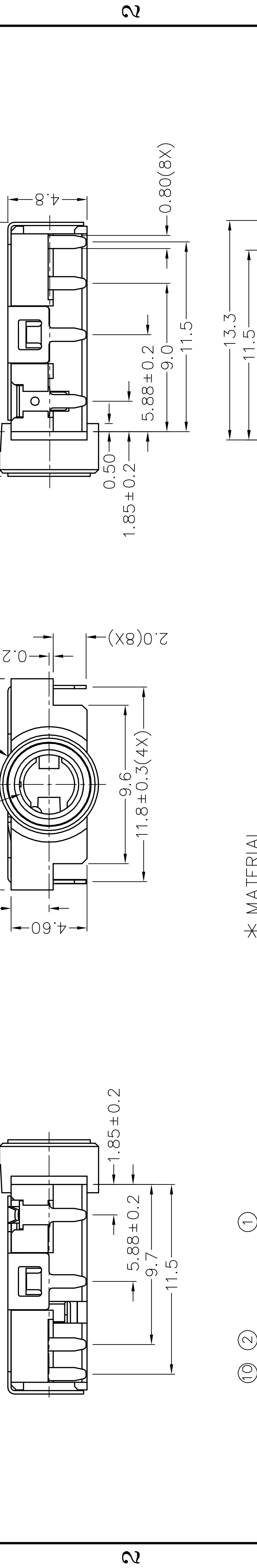
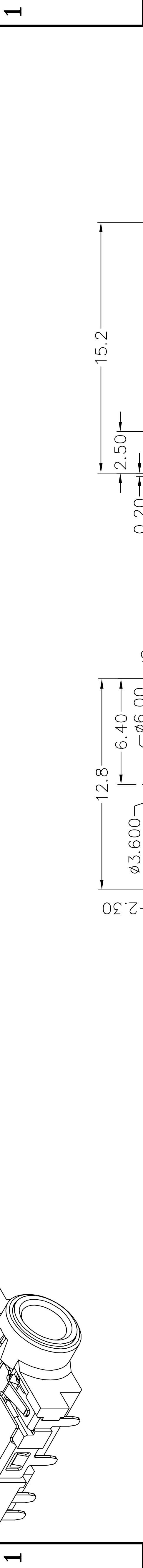
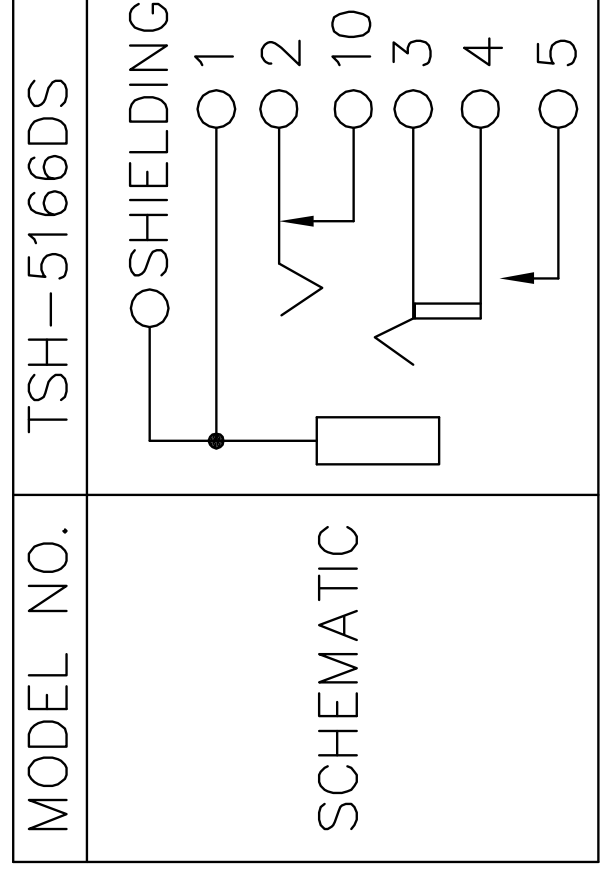



F		E		D		C		B		A	
				<div style="border: 1px solid black; padding: 5px; text-align: center;"> RoHS Compliant </div>		ZONE SYMBOL SHIELD MODIFIED		REVISION J.X.KUANG		APPROVAL DATE 12-1-2010	



- * MATERIAL**
- TERMINAL 1 : COPPER ALLOY
 - TERMINAL 2 : COPPER ALLOY
 - TERMINAL 3 : COPPER ALLOY
 - TERMINAL 4 : COPPER ALLOY
 - TERMINAL 5 : COPPER ALLOY
 - TERMINAL 10 : COPPER ALLOY
 - SHIELD : COPPER ALLOY
 - BUSHING : BRASS
 - HOUSING : PA6T



F		E		D		C		B		A	
		TOLERANCE UNLESS OTHERWISE SPECIFIED: 0.000±0.05 mm		UNIT: mm		DESIGN DRAWING CHECK APPROVAL		G.P.YI T.Y.LI		DATE DATE DATE DATE	
PART NAME 3.5mm SMD STEREO JACK		TSH-516DS		TSH-5166DS		DATE 19-5-2009		SCALE 3:1		DATE 12-1-2010	
PART NO.		TSH-516DS		TSH-5166DS		DATE 12-1-2010		MATERIAL *		DWG. NO. TZ\SH516DS-PA6T/B	
F		E		D		C		B		A	