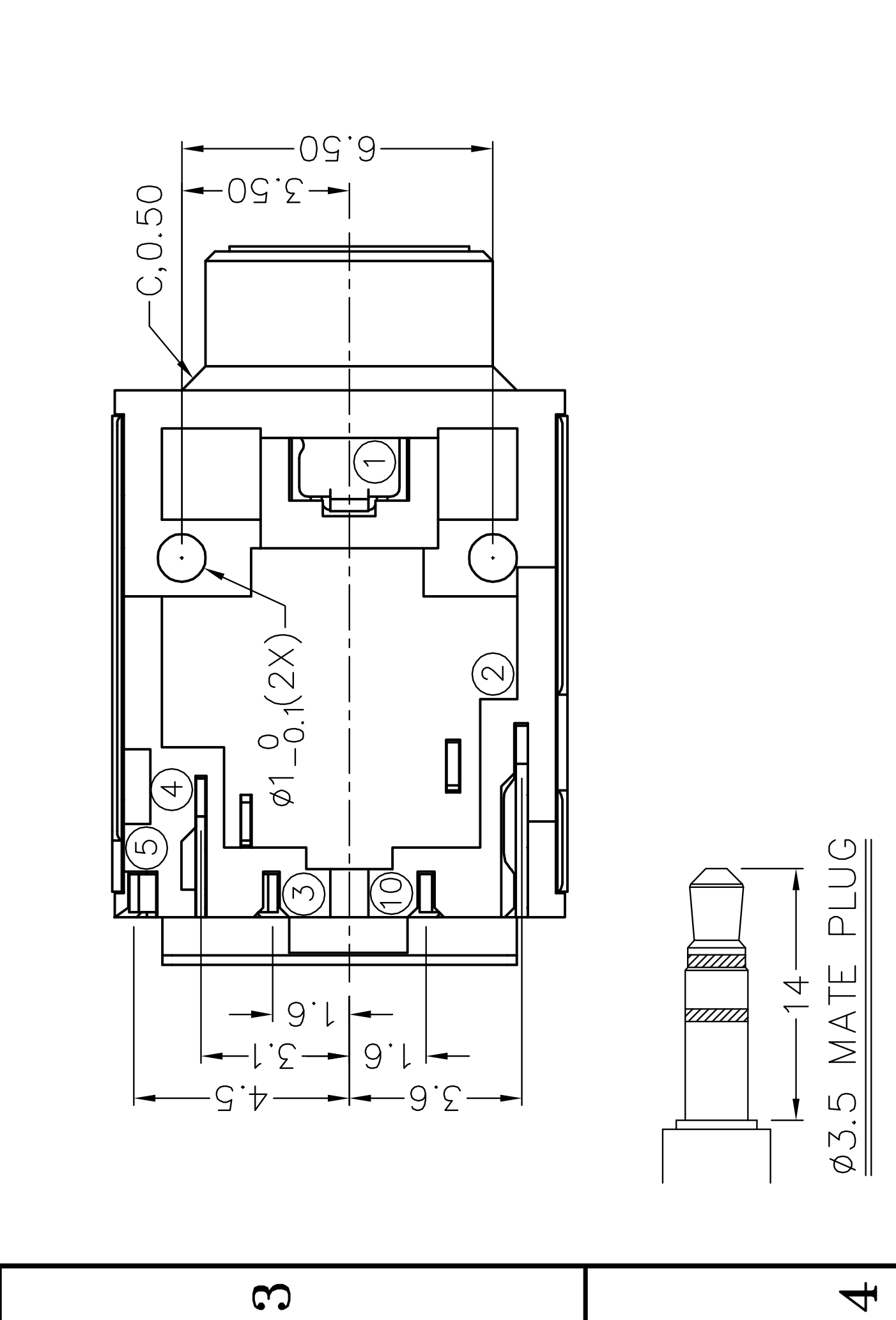
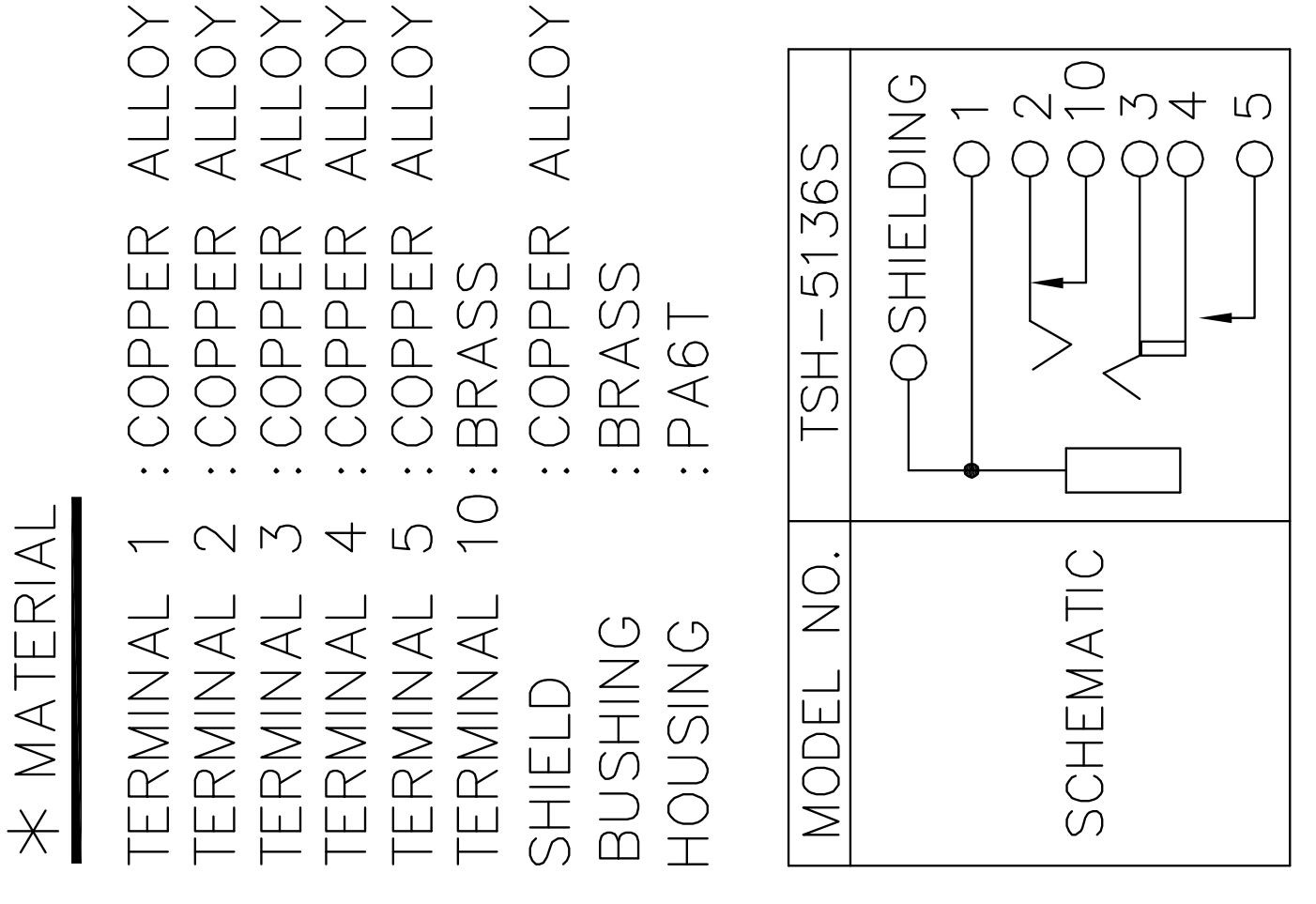
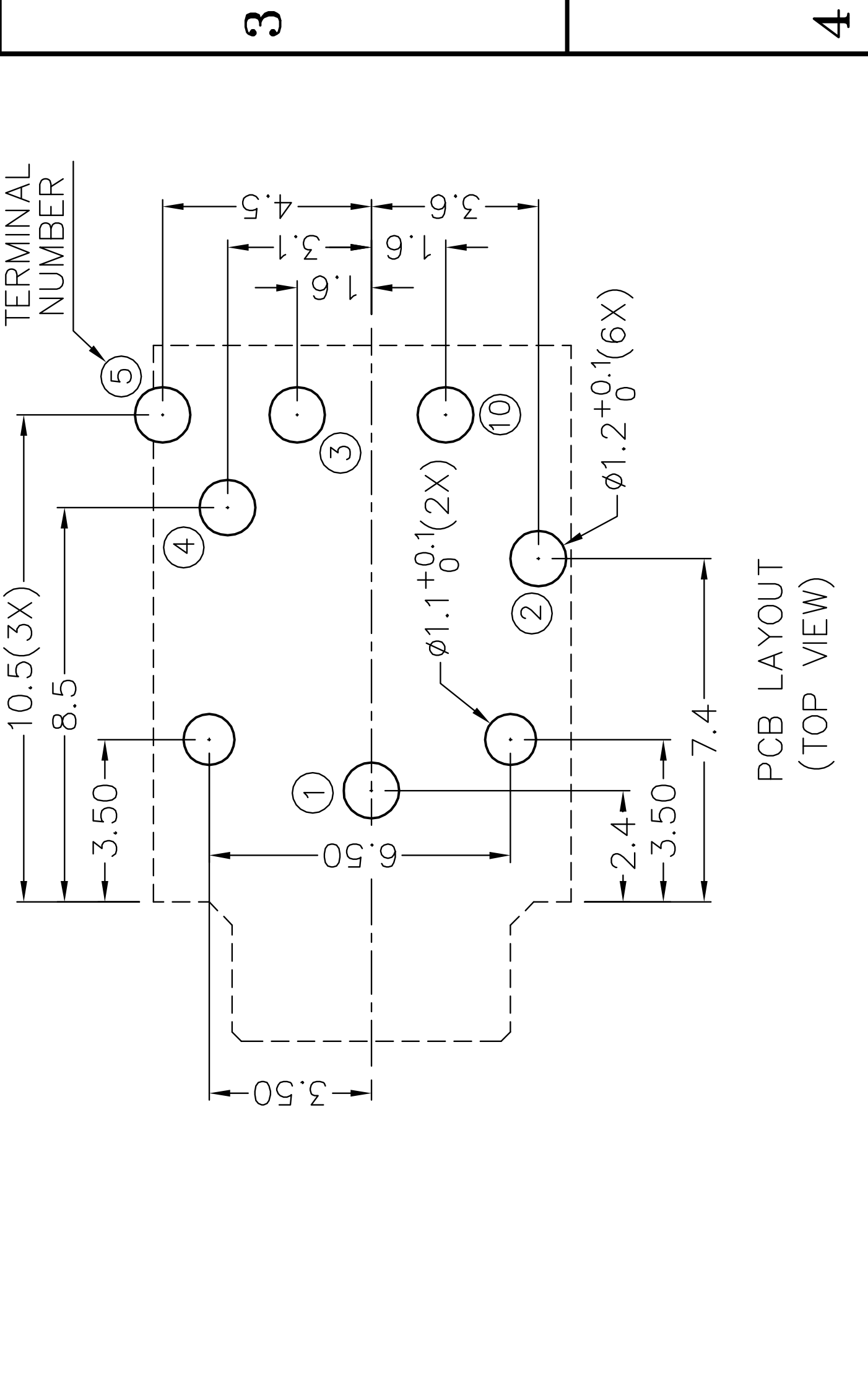
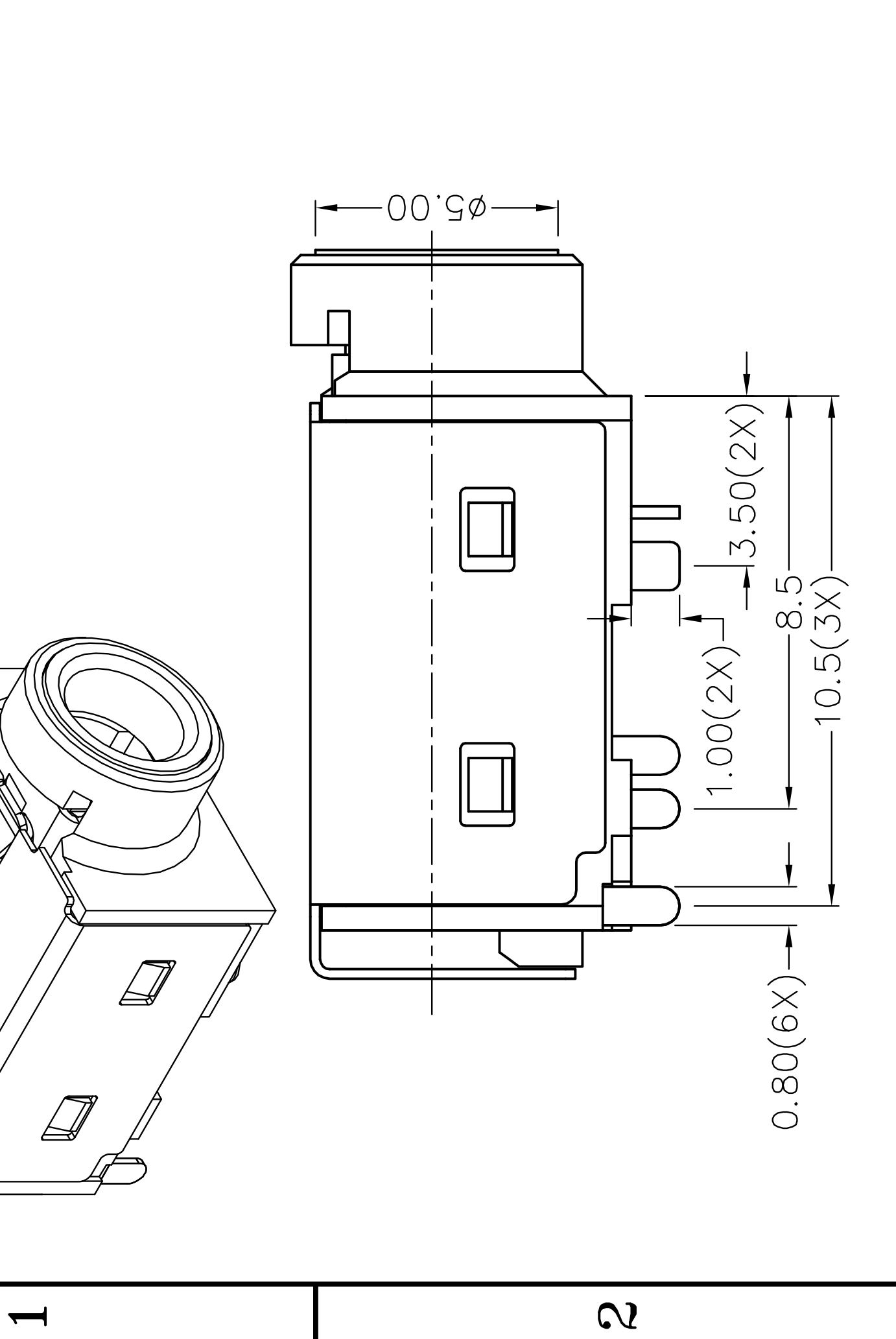
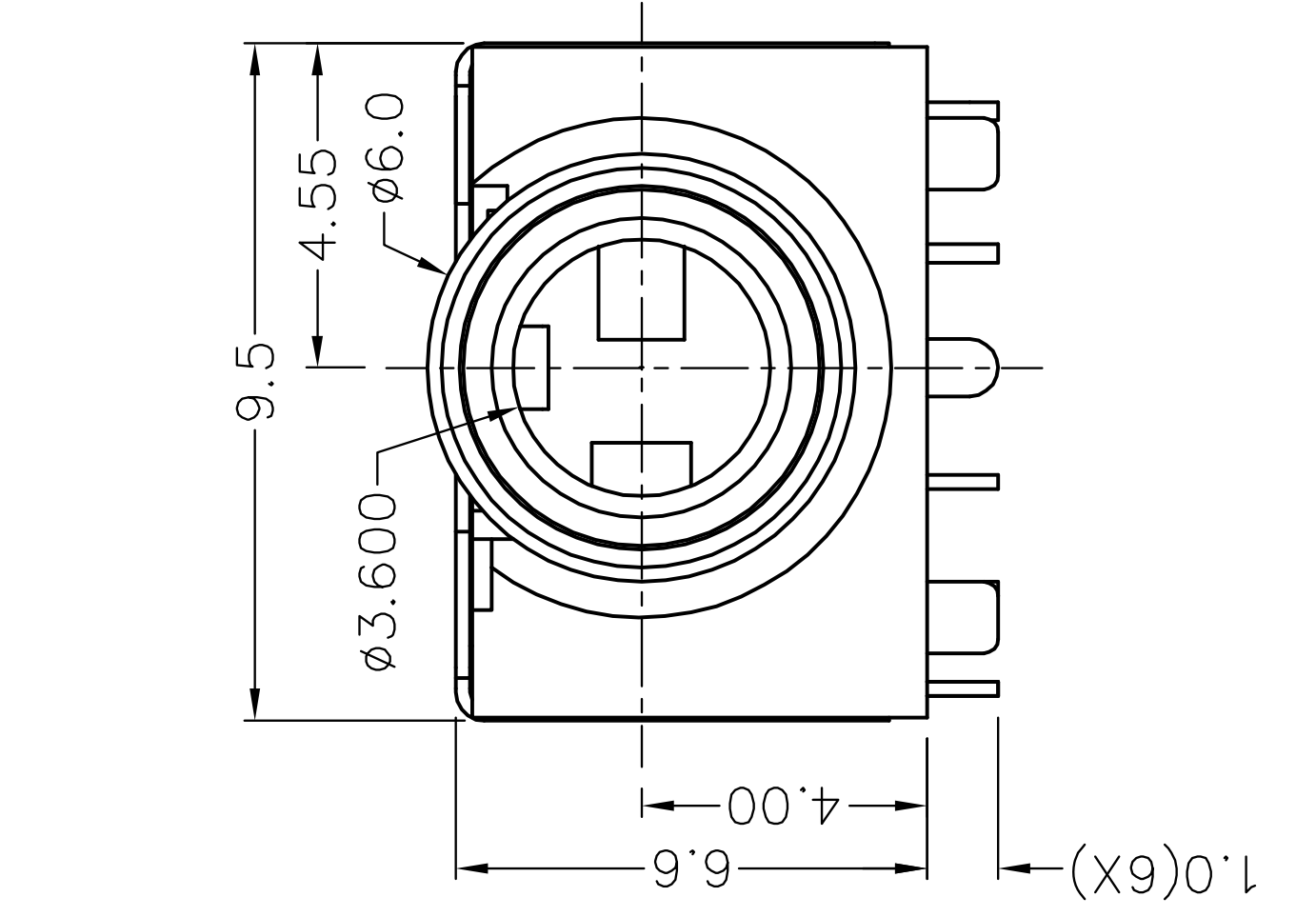
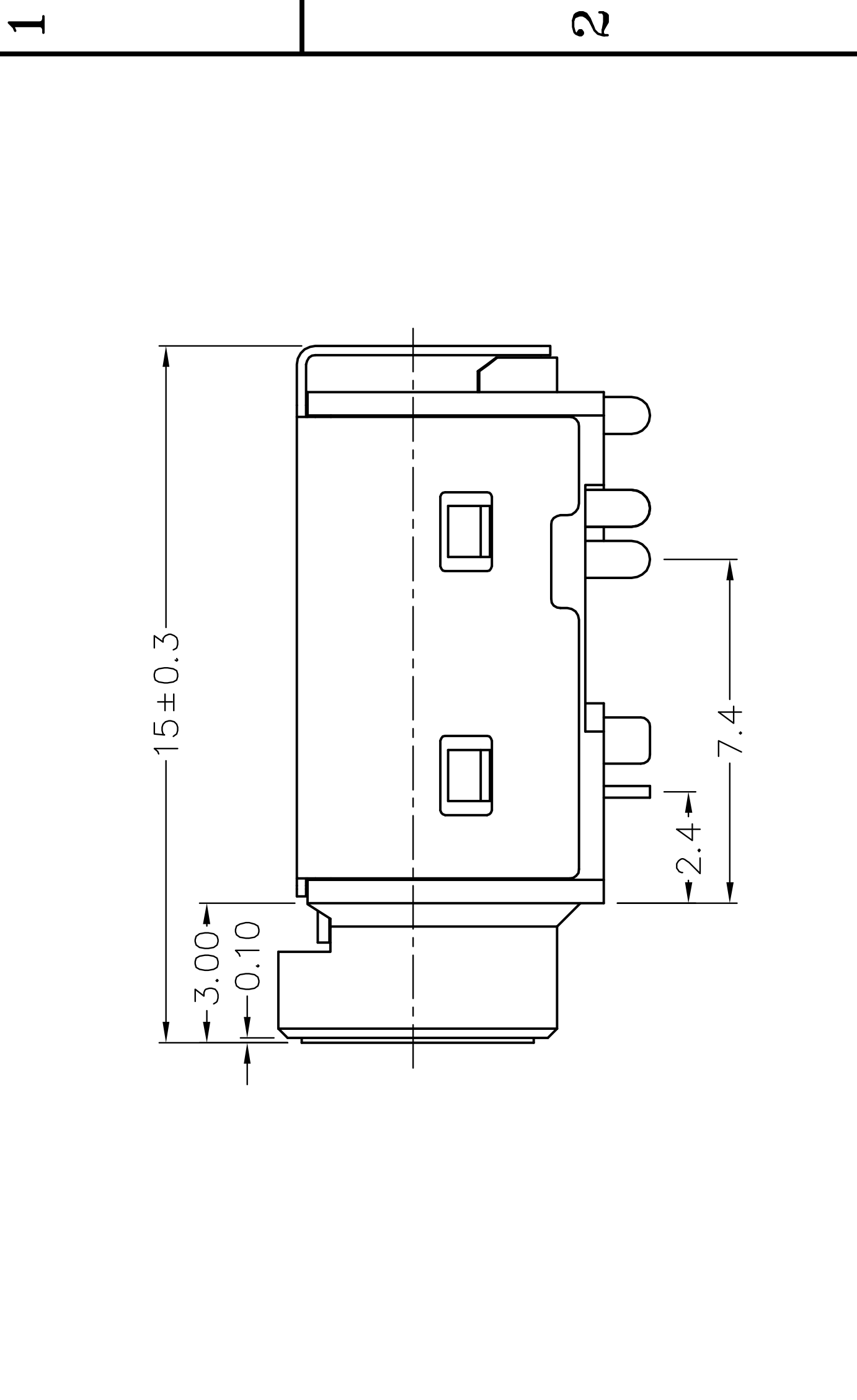


A		B		C		D		E		F	
APPROVAL		REVISION		ZONE SYMBOL		RoHS Compliant					
DATE											



DESIGN	H.L.TAN	DATE	13-6-2011	SCALE	4:1
DRAWING	H.L.TAN	DATE	13-6-2011	MATERIAL	*
CHECK		DATE		DWG. NO.	TZ\SH513S-PA6T/A
APPROVAL		DATE		SHEET	

JOYNet Enterprise Co., Ltd.		TOLERANCE UNLESS	0.0±0.2	UNIT:	mm
PART NAME	3.5mm STEREO JACK	OTHERWISE SPECIFIED:	0.00±0.1		
PART NO.	TSH-513S				