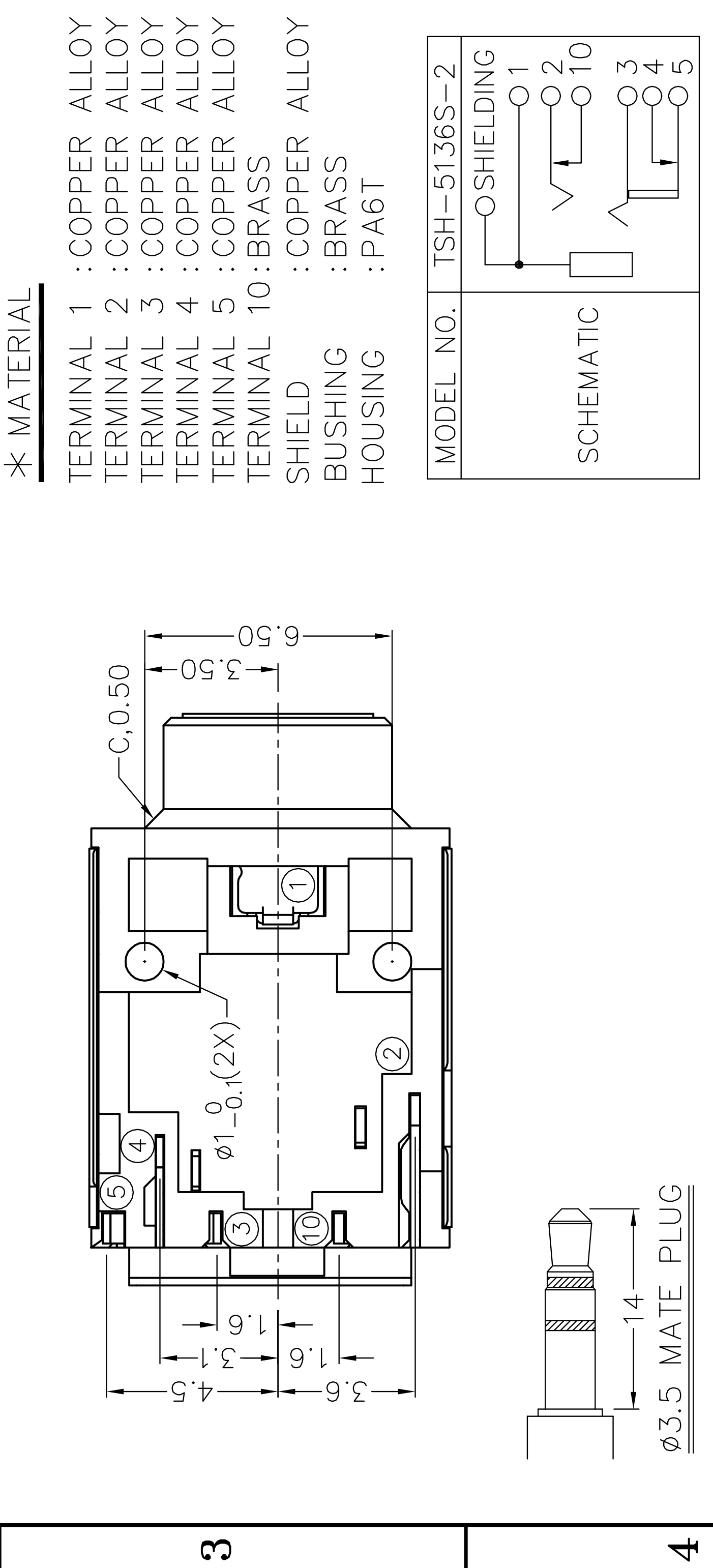
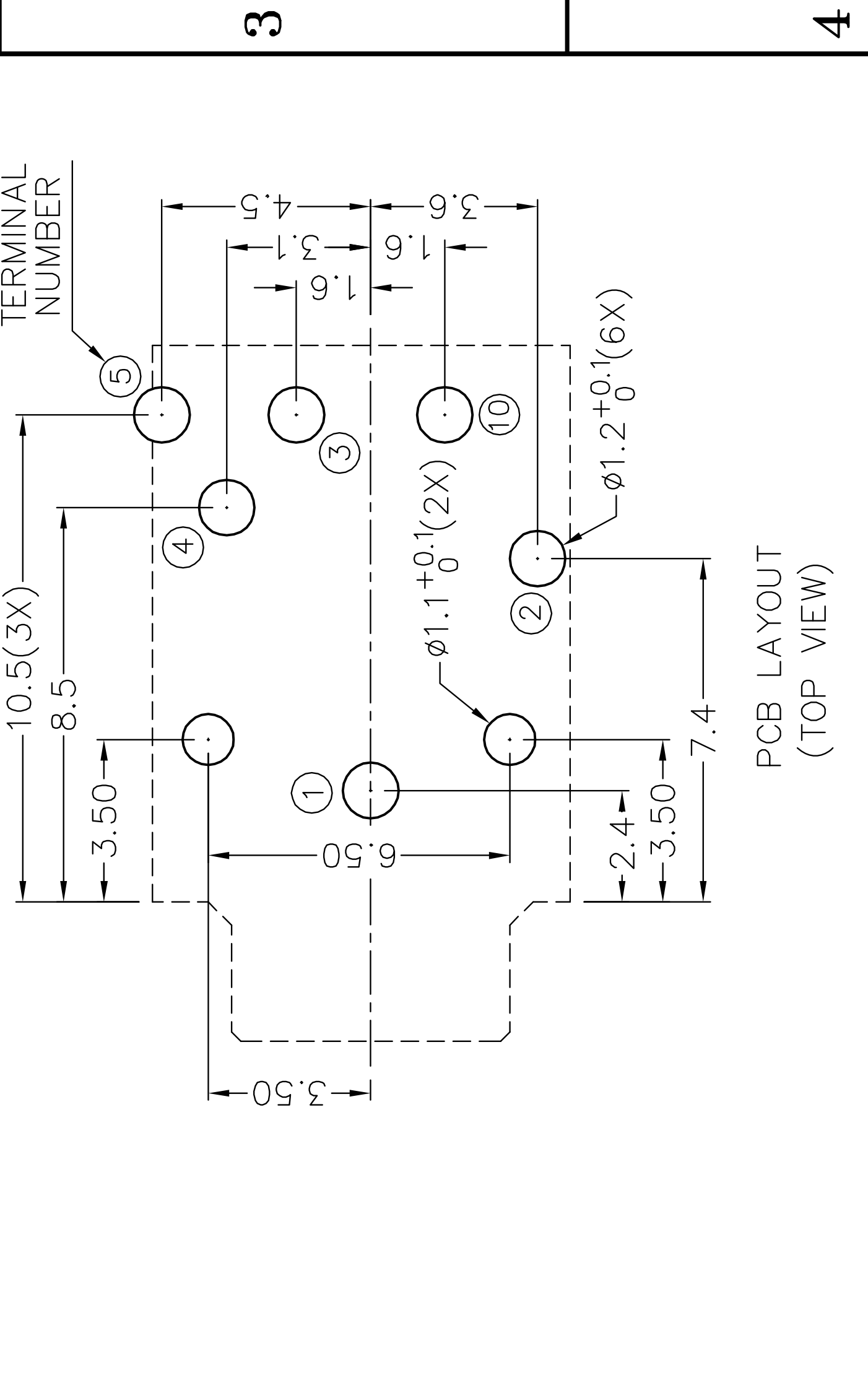
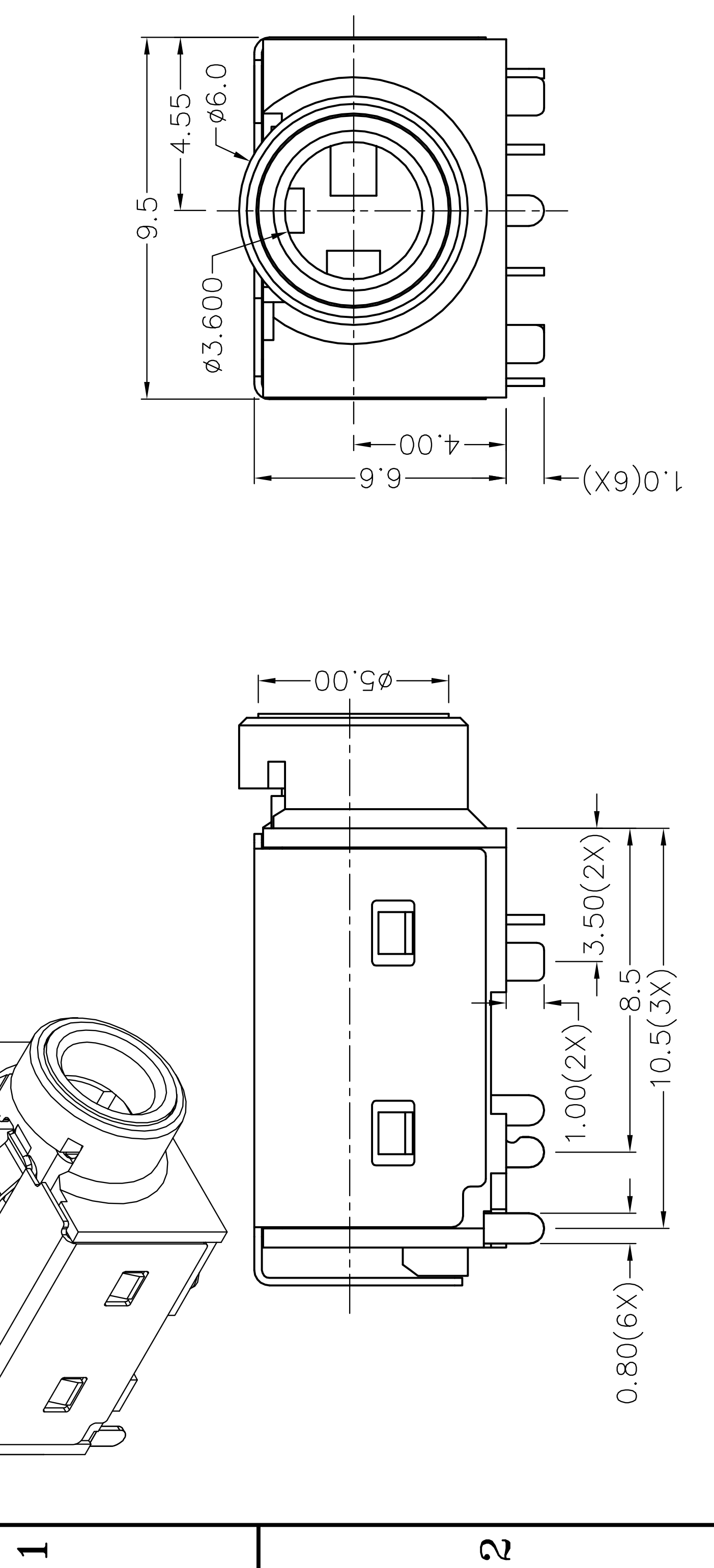
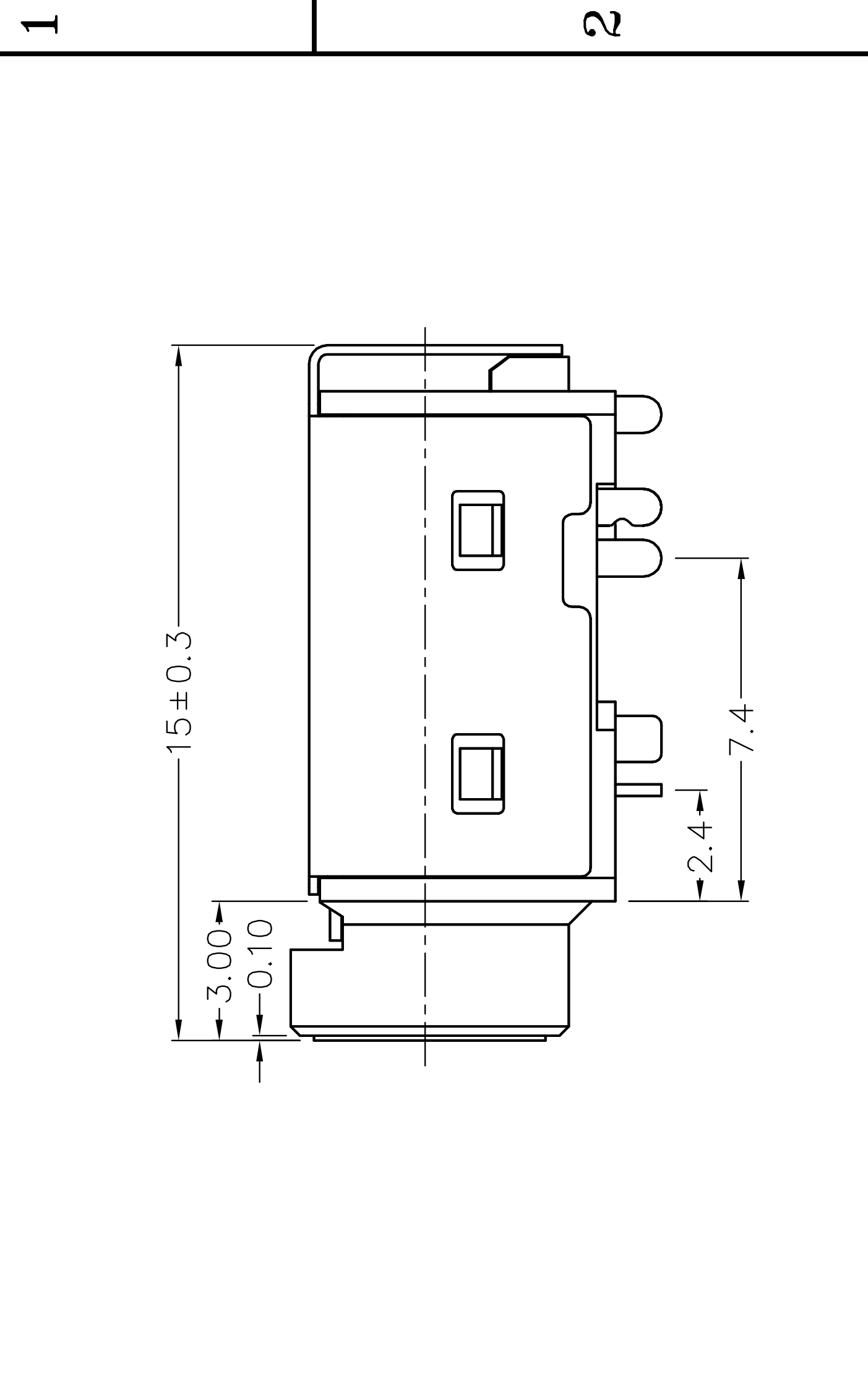


F **E** **D** **C** **B** **A**

ZONE	SYMBOL	REVISION	APPROVAL	DATE

RoHS
Compliant



JOYNet Enterprise Co., Ltd.

DESIGN	H.L.TAN	DATE	13-6-2011	SCALE	4:1
DRAWING	H.L.TAN	DATE	13-6-2011	MATERIAL	*
CHECK		DATE		DWG. NO.	TZ\SH513S-2-PA6T/A
APPROVAL		DATE		SHEET	

PART NAME	3.5mm STEREO JACK	TOLERANCE UNLESS	0.0±0.2	UNIT:	mm
PART NO.	TSH-513S-2	OTHERWISE SPECIFIED:	0.000±0.05		

F **E** **D** **C** **B** **A**