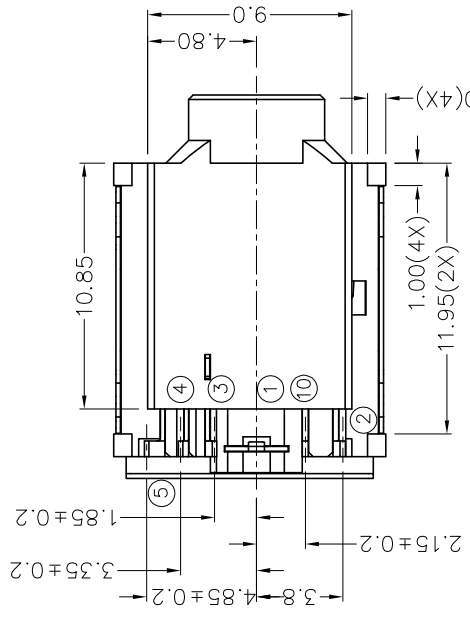
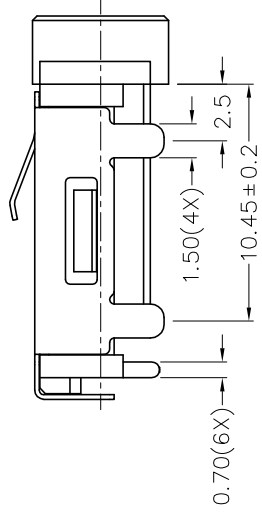
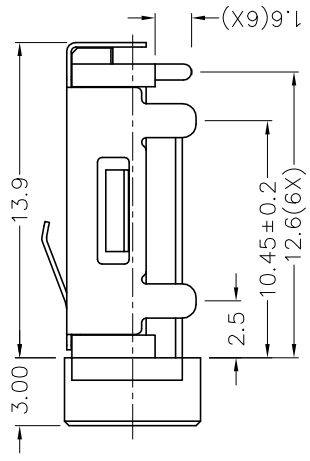
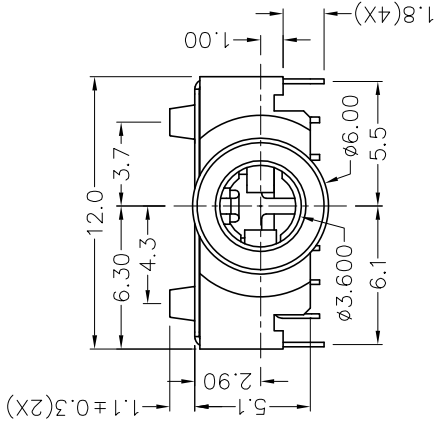


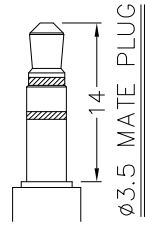
**RoHS**  
Compliant



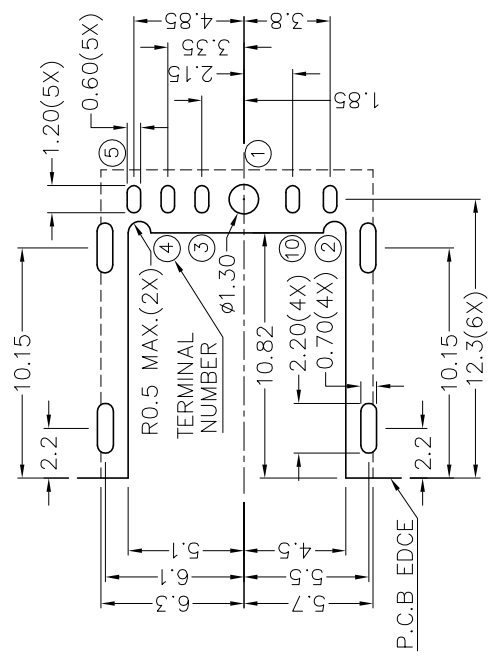
**\* MATERIAL**

- TERMINAL 1 : COPPER ALLOY
- TERMINAL 2 : COPPER ALLOY
- TERMINAL 3 : COPPER ALLOY
- TERMINAL 4 : COPPER ALLOY
- TERMINAL 5 : COPPER ALLOY
- TERMINAL 10 : BRASS
- SHIELD : COPPER ALLOY
- HOUSING : PA6T

MODEL NO.	TSH-5126DS
SCHEMATIC	



PCB LAYOUT  
(TOP VIEW)



		DESIGN	G.P.YI	DATE	5-2-2009	SCALE	3:1
<b>JOYNet Enterprise Co., Ltd.</b>		DRAWING	T.Y.LI	DATE	18-3-2009	MATERIAL	*
PART NAME	3.5mm SMD STEREO JACK	TOLERANCE UNLESS	0.0±0.2	CHECK		DWG. NO.	ITZ\SH512DS-PA6T/A
PART NO.	TSH-512DS	OTHERWISE SPECIFIED:	0.00±0.1 0.000±0.05	APPROVAL		SHEET	

ZONE	SYMBOL	REVISION	APPROVAL	DATE