

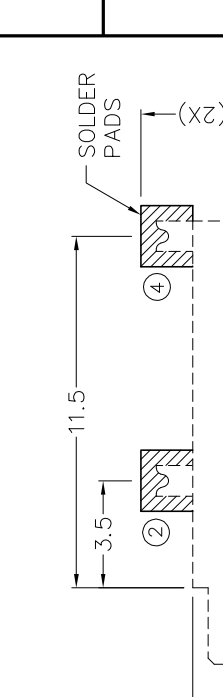
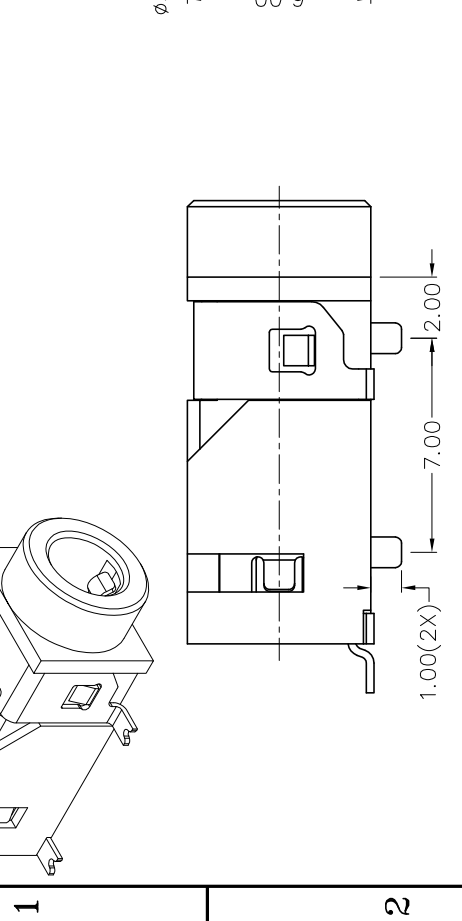
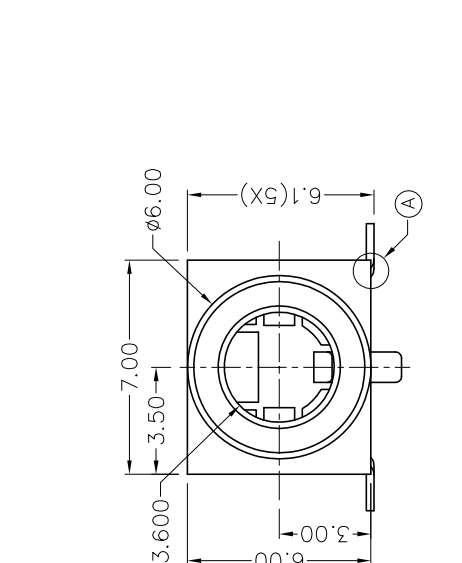
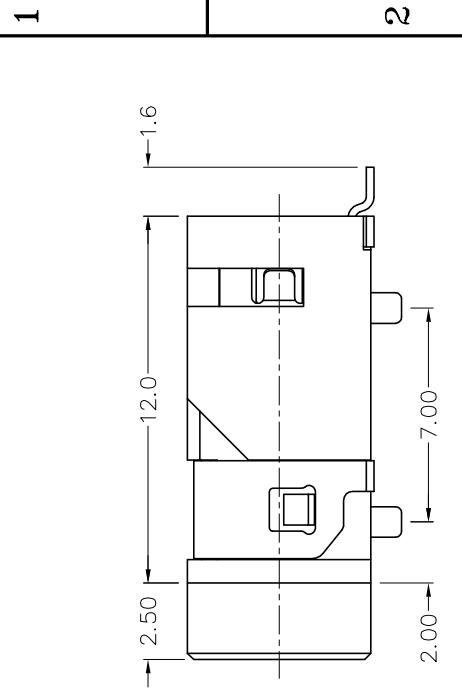
1 2 3 4

ZONE		SYMBOL		REVISION		APPROVAL		DATE	

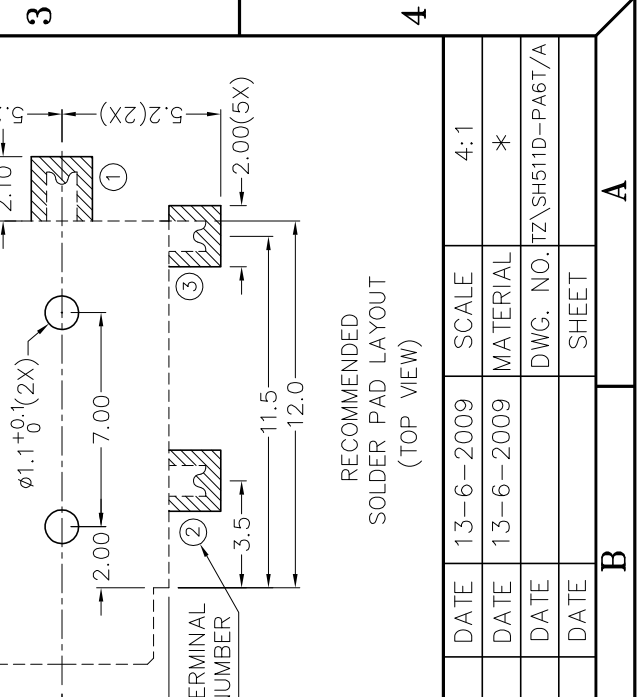
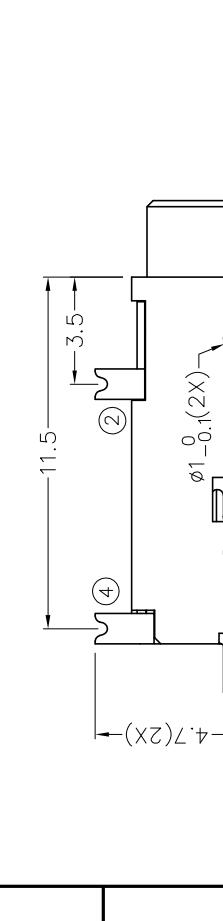
**RoHS**  
Compliant



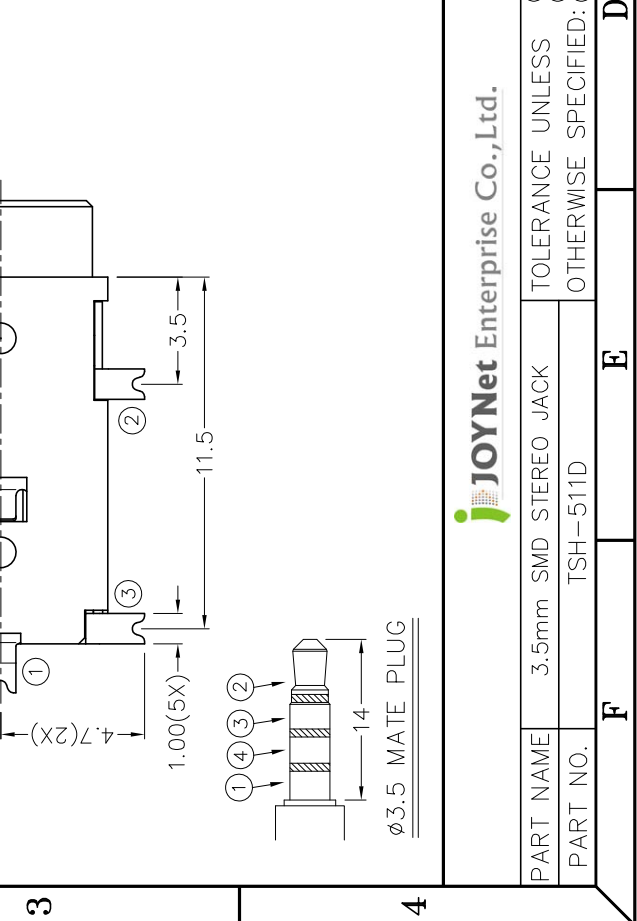
1 2 3 4



**\* MATERIAL**  
 TERMINAL 1 : COPPER ALLOY  
 TERMINAL 2 : COPPER ALLOY  
 TERMINAL 3 : COPPER ALLOY  
 TERMINAL 4 : COPPER ALLOY  
 HOUSING : PA6T



MODEL NO.	TSH-5114D
SCHEMATIC	



<b>JOYNet Enterprise Co., Ltd.</b>		DESIGN	G.P.YI	DATE	13-6-2009	SCALE	4:1
PART NAME	3.5mm SMD STEREO JACK	DRAWING	G.P.YI	DATE	13-6-2009	MATERIAL	*
PART NO.	TSH-511D	CHECK		DATE		DWG. NO.	TZ\SH511D-PA6T/A
		APPROVAL		DATE		SHEET	

1 2 3 4