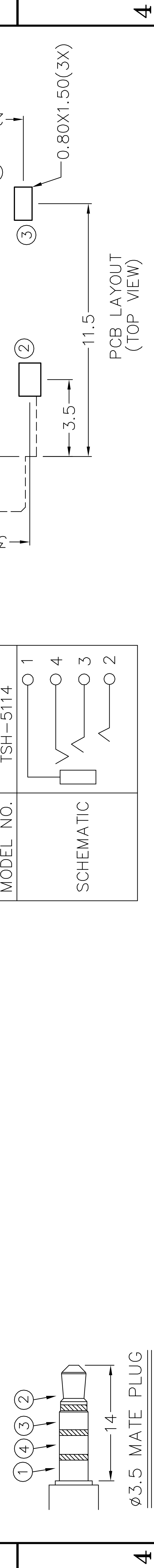
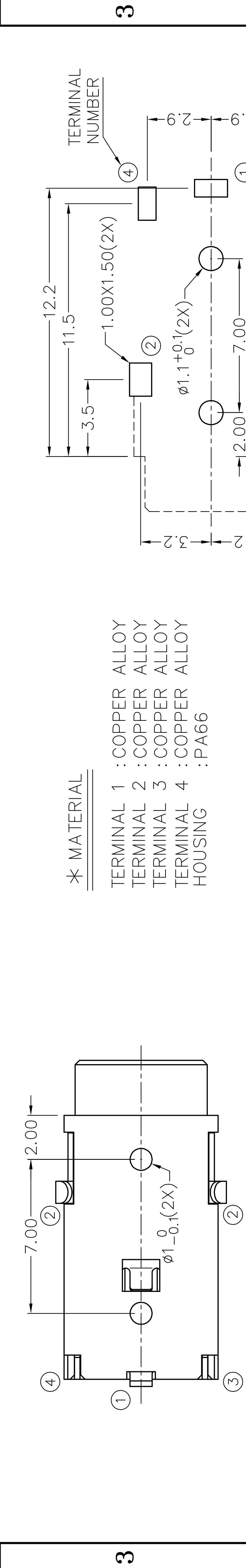
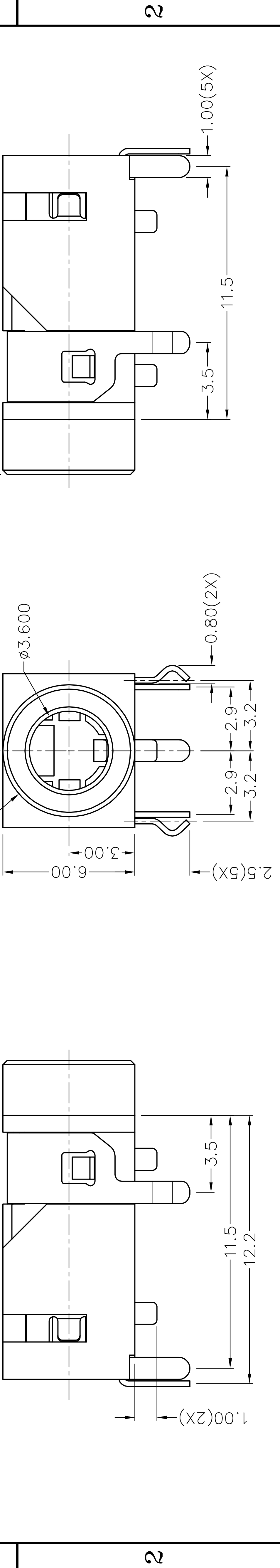
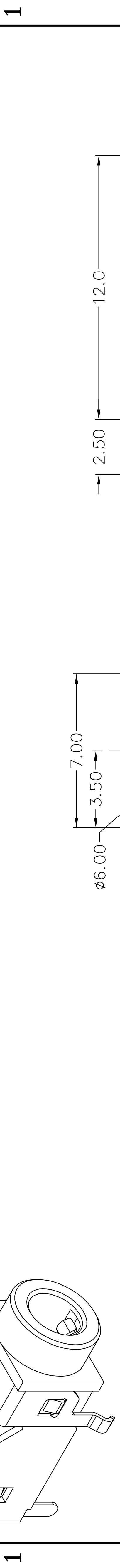


F		E		D		C		B		A	
ZONE		SYMBOL		REVISION		APPROVAL		DATE			

RoHS
Compliant



PART NAME		3.5mm STEREO JACK		TOLERANCE UNLESS		0.0±0.2		UNIT:			
PART NO.		TSH-511		OTHERWISE SPECIFIED:		0.000±0.05		mm			
DESIGN		G.P.YI		DATE		24-7-2009		SCALE		4:1	
DRAWING		G.P.YI		DATE		24-7-2009		MATERIAL		*	
CHECK				DATE				DWG. NO.		TZ\SH511-PA66/A	
APPROVAL				DATE				SHEET			

JOYNet Enterprise Co., Ltd.

F		E		D		C		B		A	
---	--	---	--	---	--	---	--	---	--	---	--