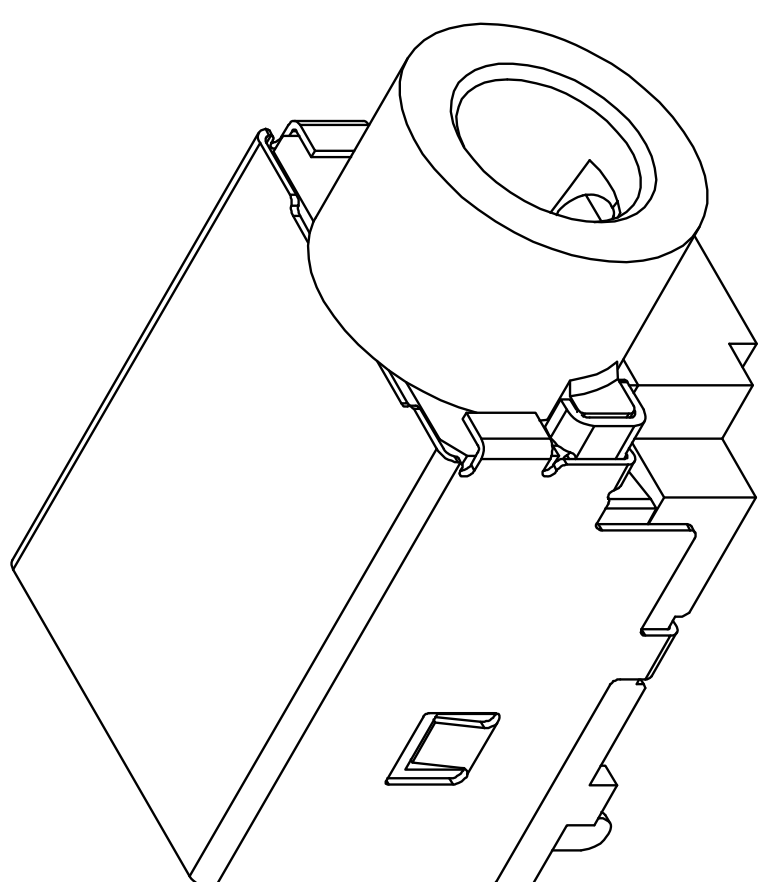
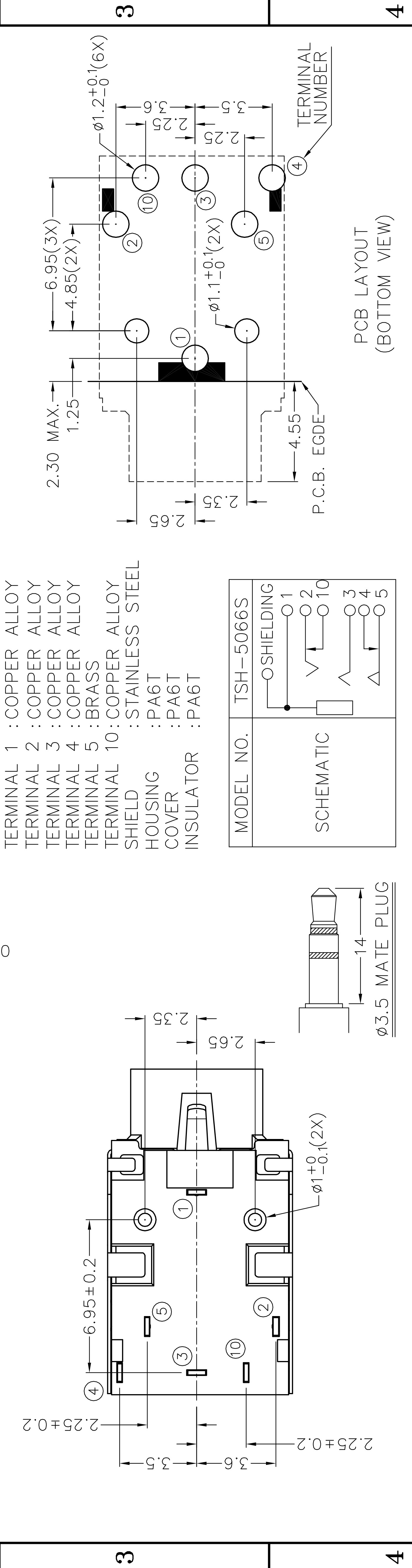
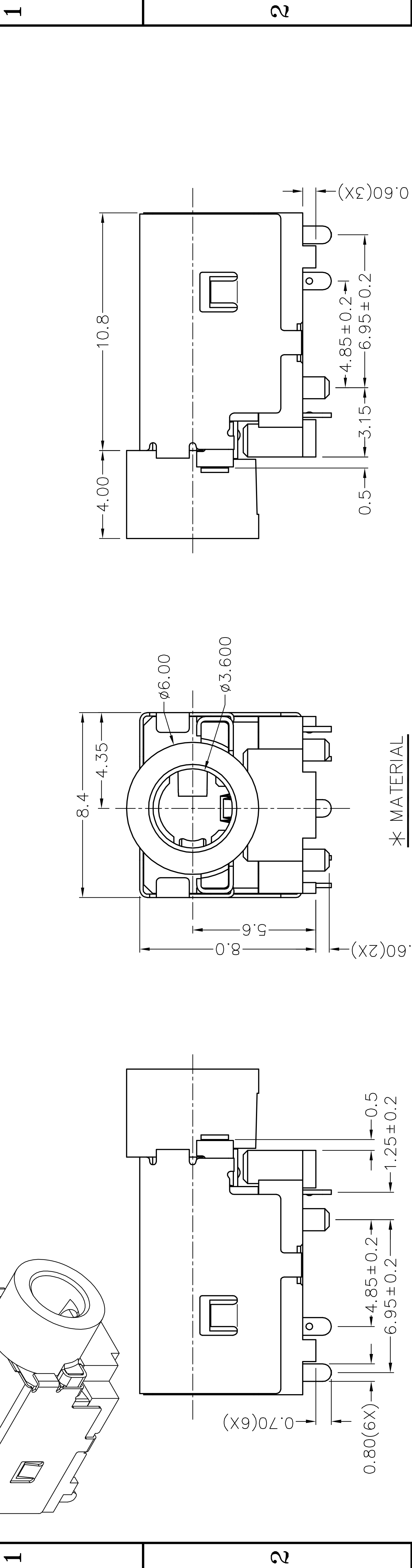
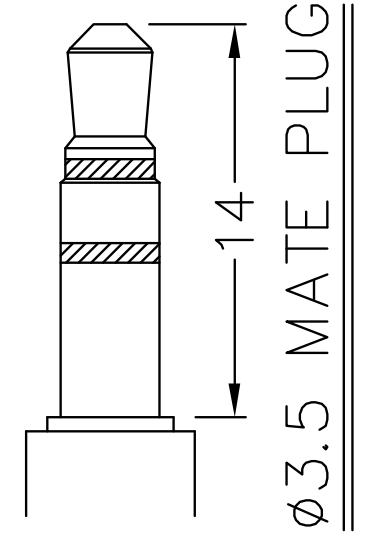
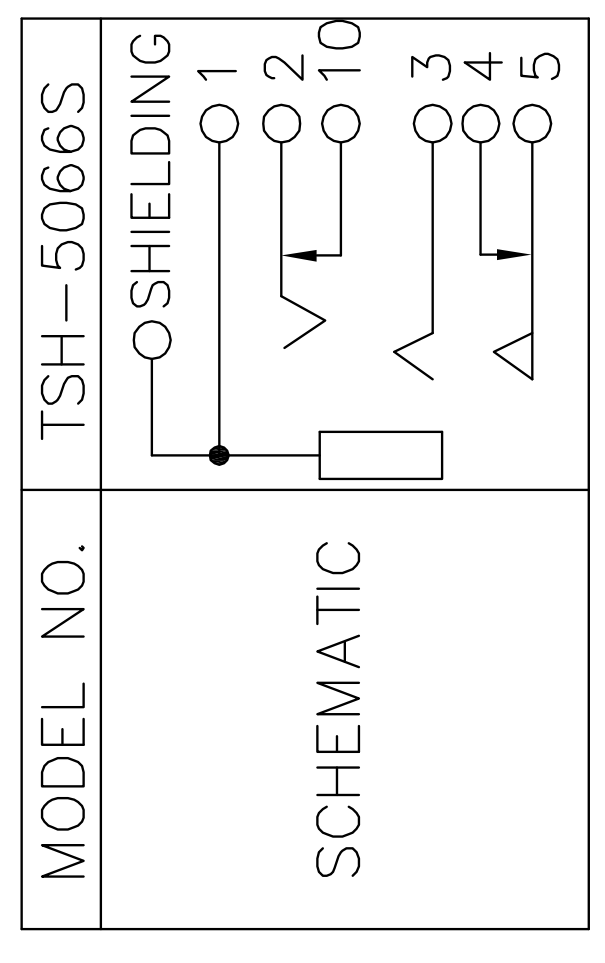



<b>F</b>		<b>E</b>	<b>D</b>	<b>C</b>	<b>B</b>	<b>A</b>
				ZONE SYMBOL REVISION APPROVAL DATE		

**RoHS**  
Compliant



- \* MATERIAL**
- TERMINAL 1 : COPPER ALLOY
  - TERMINAL 2 : COPPER ALLOY
  - TERMINAL 3 : COPPER ALLOY
  - TERMINAL 4 : COPPER ALLOY
  - TERMINAL 5 : BRASS
  - TERMINAL 10 : COPPER ALLOY
  - SHIELD : STAINLESS STEEL
  - HOUSING : PA6T
  - COVER : PA6T
  - INSULATOR : PA6T



<b>F</b>		<b>E</b>	<b>D</b>	<b>C</b>	<b>B</b>	<b>A</b>			
		<b>JOYNet Enterprise Co., Ltd.</b>		DESIGN	X.N.ZHENG	DATE	1-8-2008	SCALE	4:1
PART NAME 3.5mm STEREO JACK		TOLERANCE UNLESS 0.0±0.2 0.00±0.1 OTHERWISE SPECIFIED: 0.000±0.05 mm		DRAWING	X.N.ZHENG	DATE	1-8-2008	MATERIAL	*
PART NO. TSH-506S				CHECK		DATE		DWG. NO.	TZ\SH506S-PA6T/A
				APPROVAL		DATE		SHEET	