

F

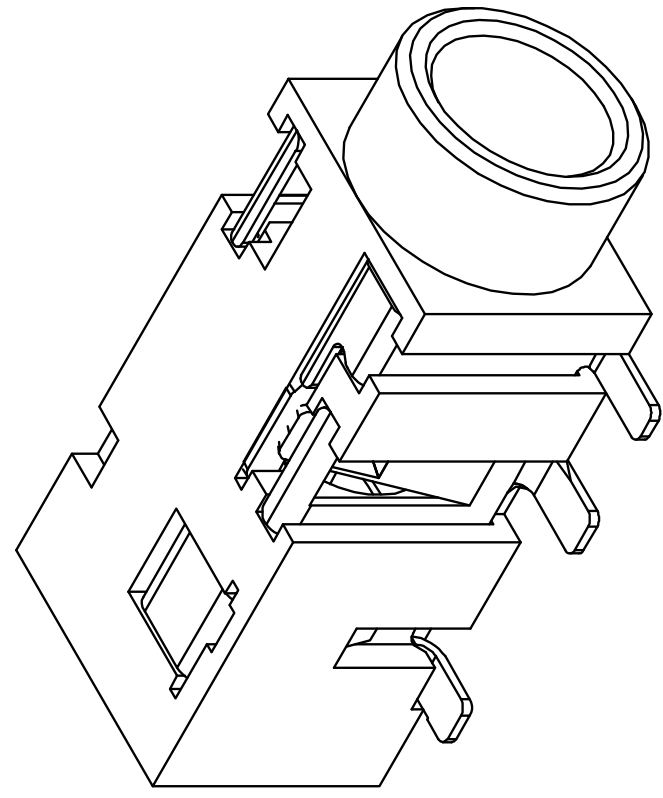
E

D

C

B

A

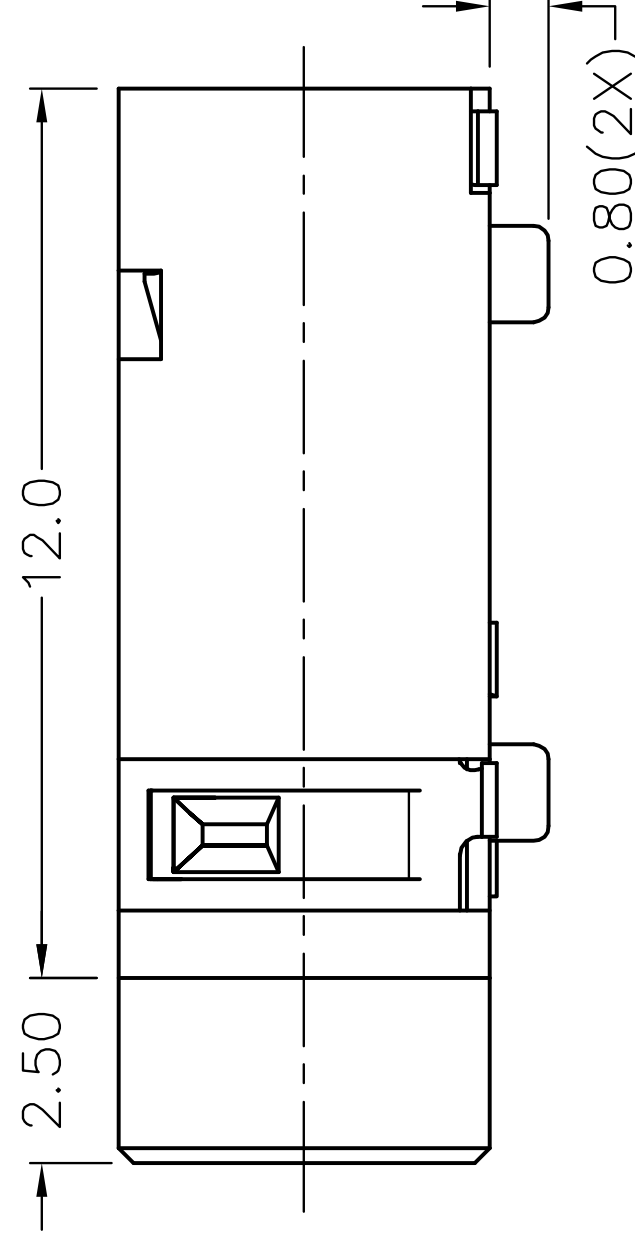
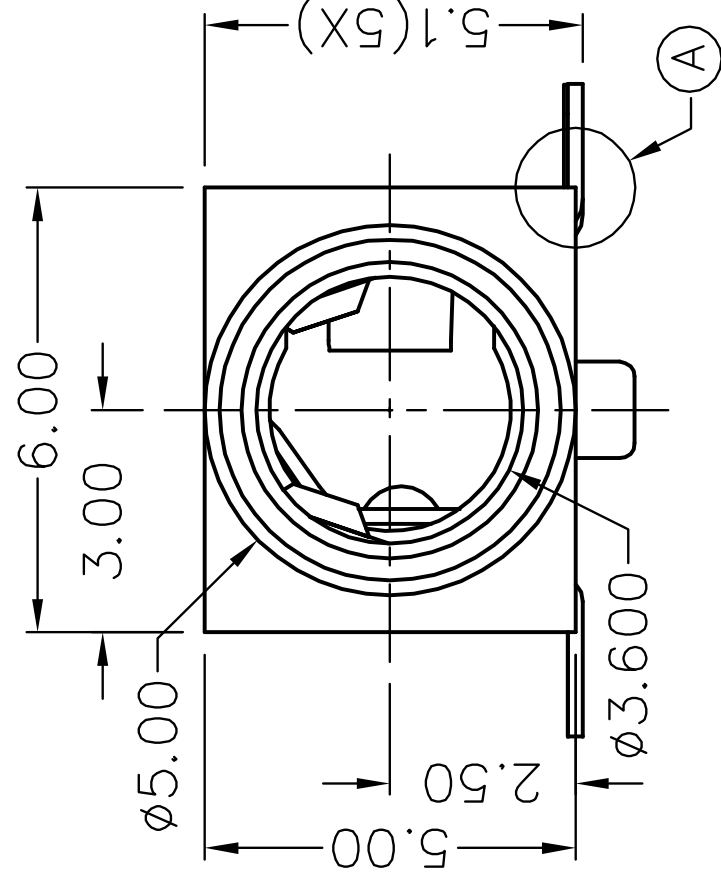


RoHS
Compliant

ZONE	SYMBOL	REVISION	APPROVAL	DATE
		ADDED INDICATION OF COPLANARITY	J.X.KUANG	16-12-2008

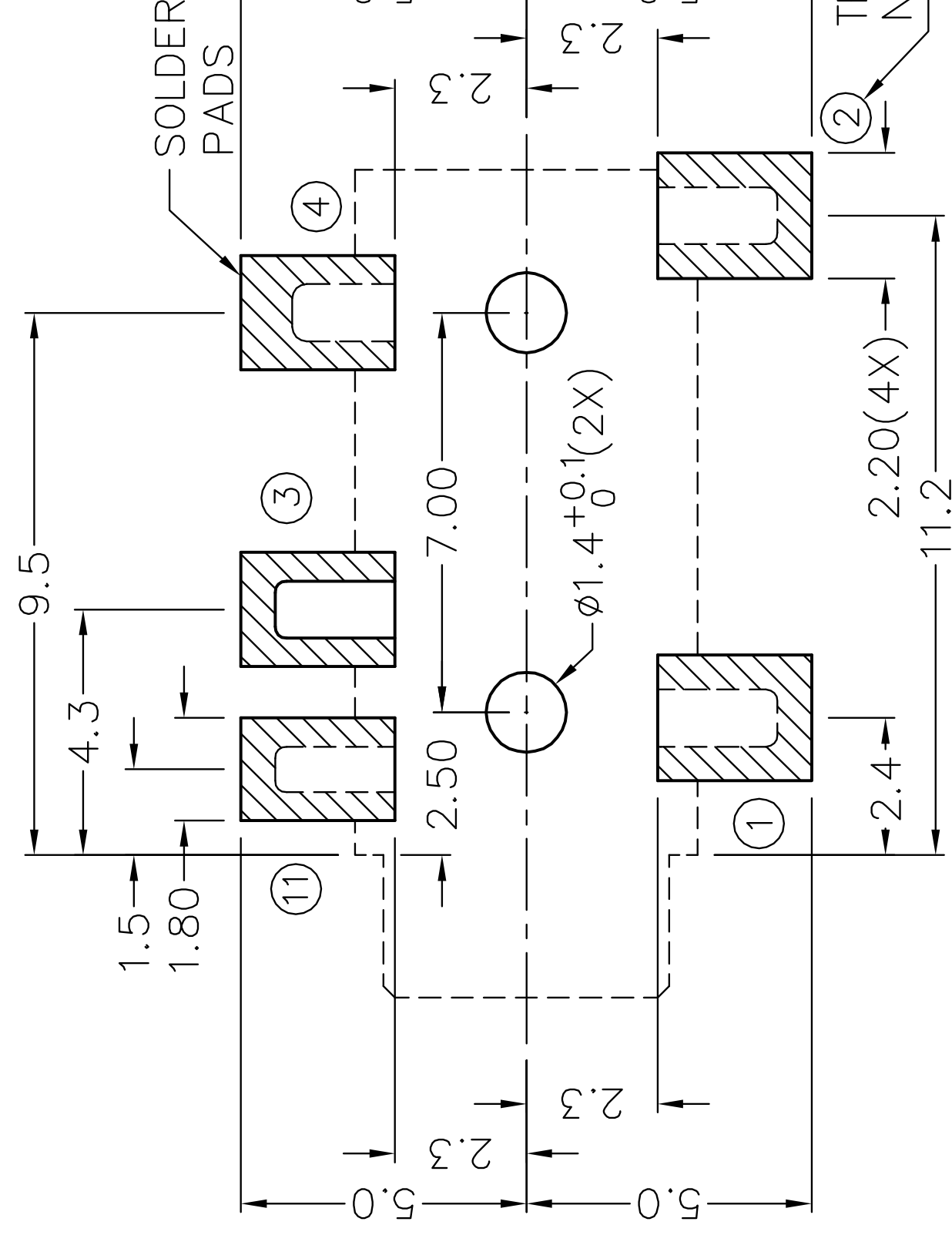
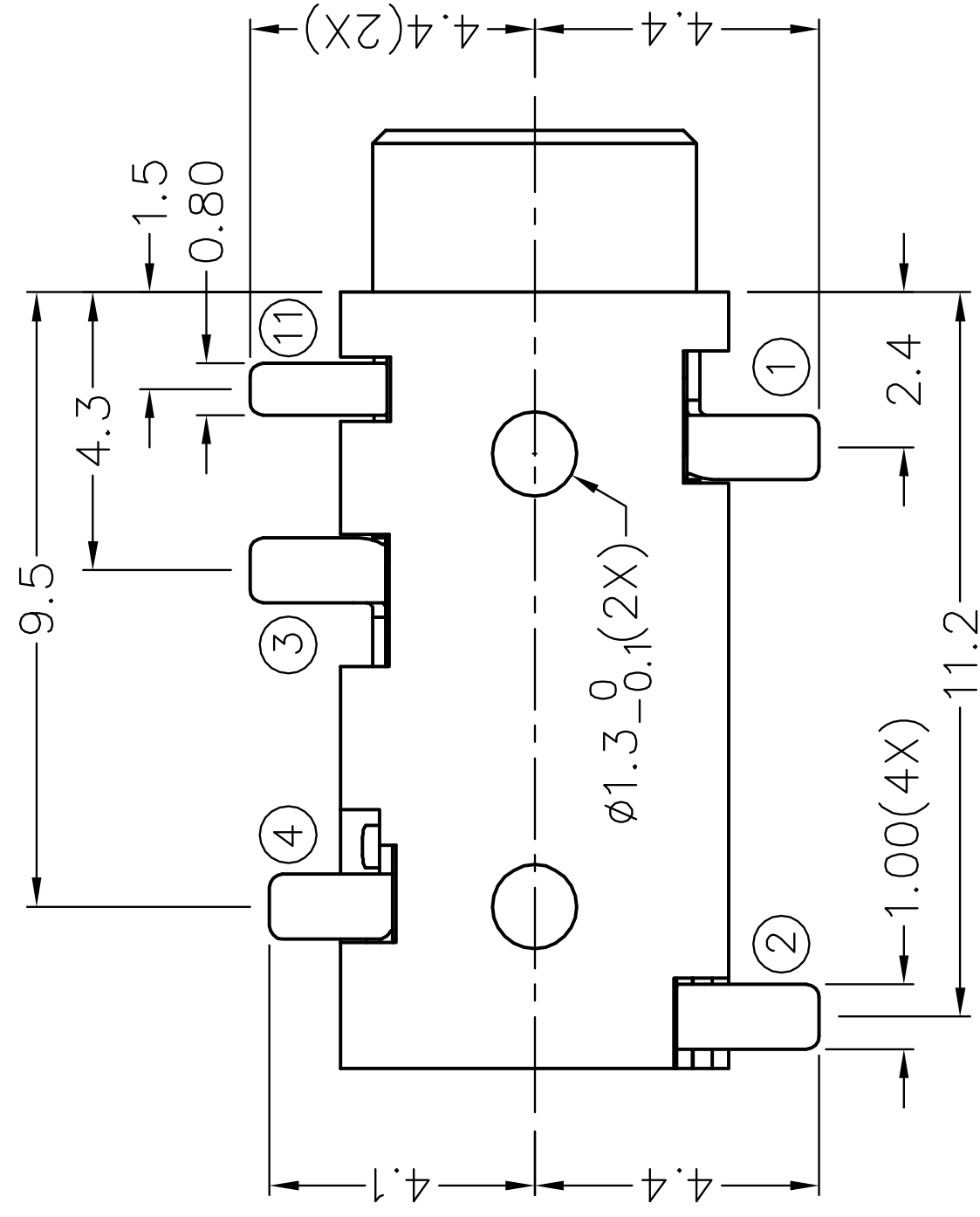
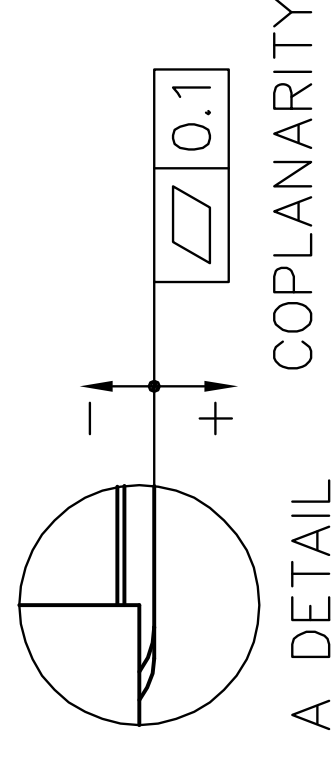
1

1



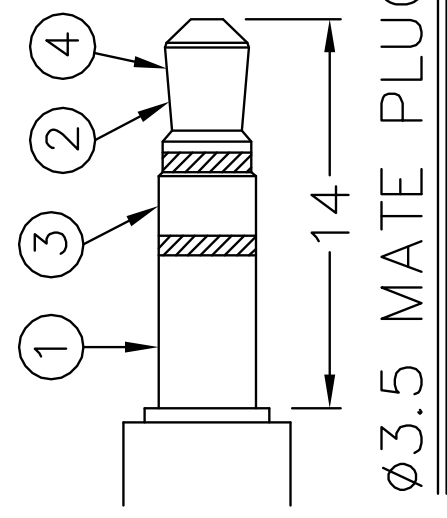
2

2



*** MATERIAL**

- TERMINAL 1 : COPPER ALLOY
- TERMINAL 2 : COPPER ALLOY
- TERMINAL 3 : COPPER ALLOY
- TERMINAL 4 : COPPER ALLOY
- TERMINAL 11 : COPPER ALLOY
- HOUSING : PA6T



RECOMMENDED
SOLDER PAD LAYOUT

MODEL NO.	TSH-5045D	TSH-5044D
SCHEMATIC		

4

4

JOYNet Enterprise Co., Ltd.

DESIGN	G.P.YI	DATE	7-11-2007	SCALE	4:1
DRAWING	T.Y.LI	DATE	16-12-2008	MATERIAL	*
CHECK		DATE		DWG. NO.	TZ\SH504D-PA6T/B
APPROVAL		DATE		SHEET	

PART NAME	3.5mm SMD STEREO JACK	TOLERANCE UNLESS	0.0±0.2	UNIT:	mm
PART NO.	TSH-504D	OTHERWISE SPECIFIED:	0.000±0.05		

F

E

D

C

B

A