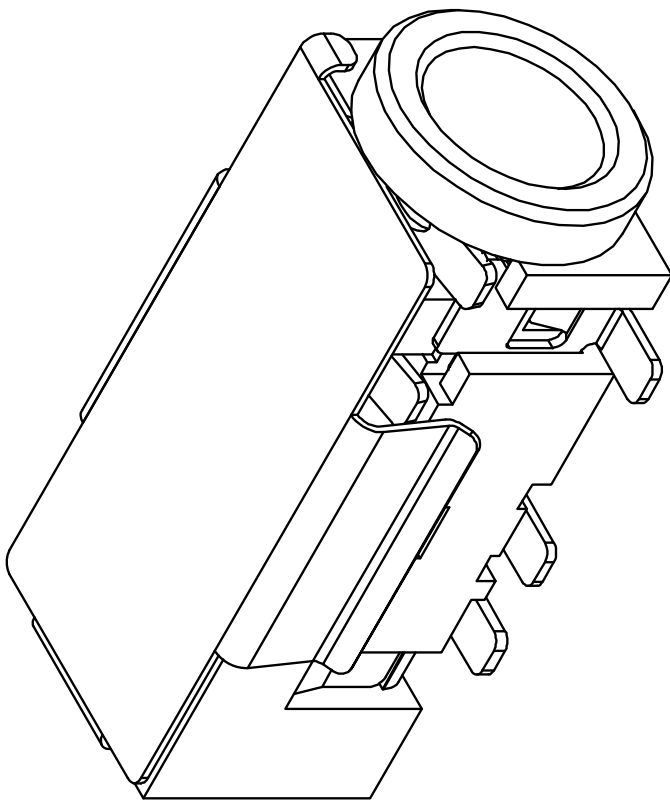
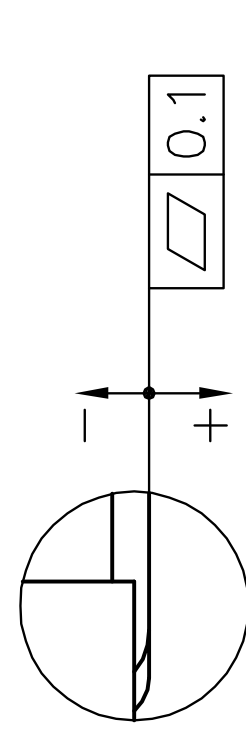
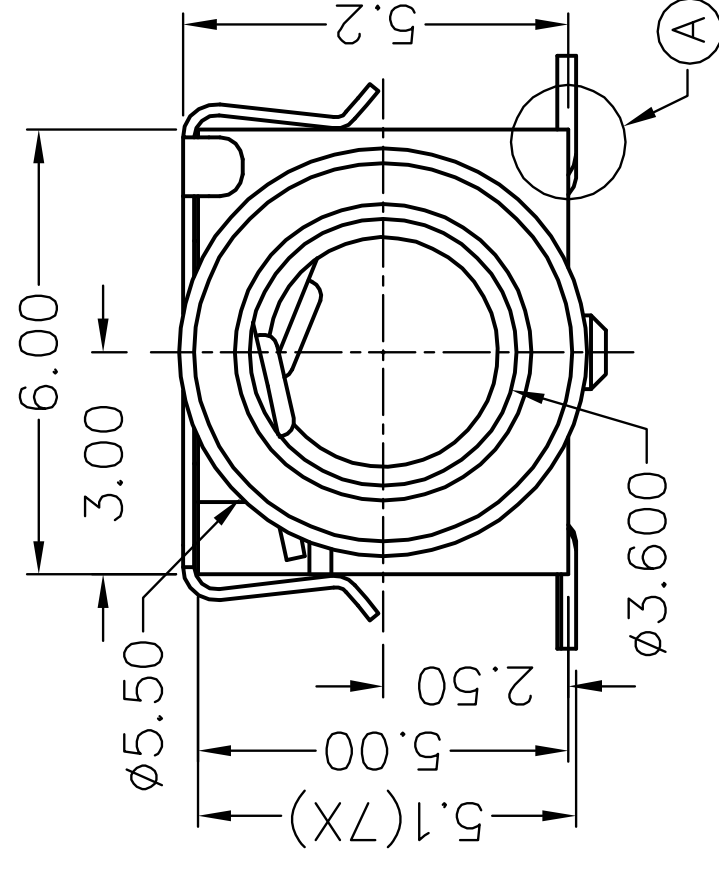


F**E****D****C****B****A**

RoHS
Compliant

| | | | | |
|------|--------|---------------------------------|-----------|------------|
| ZONE | SYMBOL | REVISION | APPROVAL | DATE |
| | | ADDED INDICATION OF COPLANARITY | J.X.KUANG | 16-12-2008 |
| | | | | |
| | | | | |

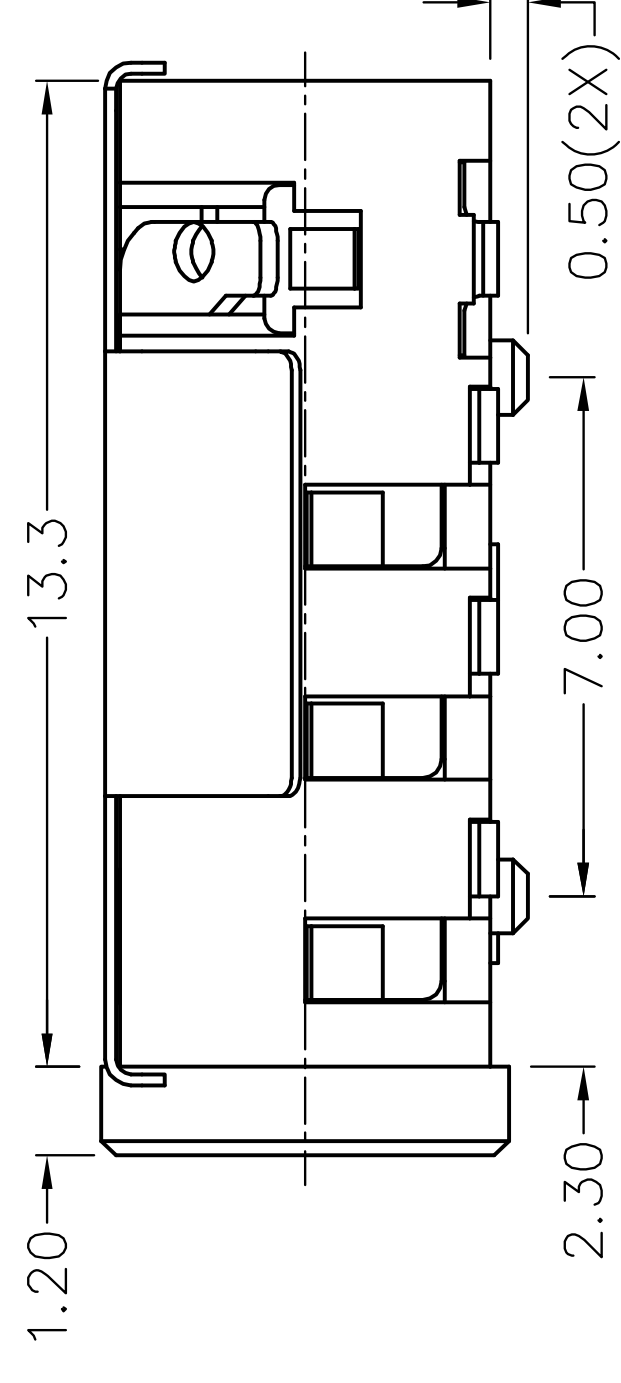
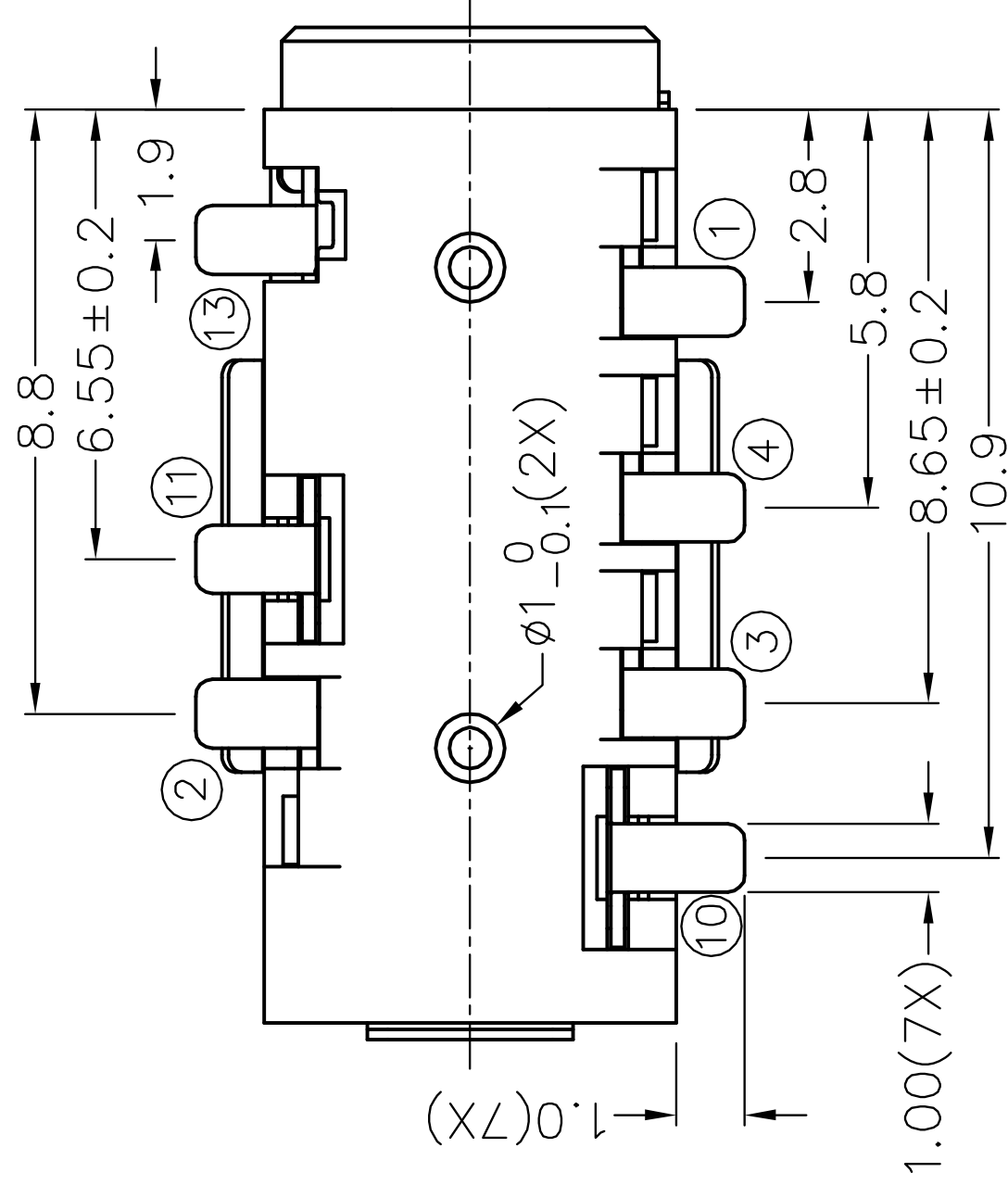
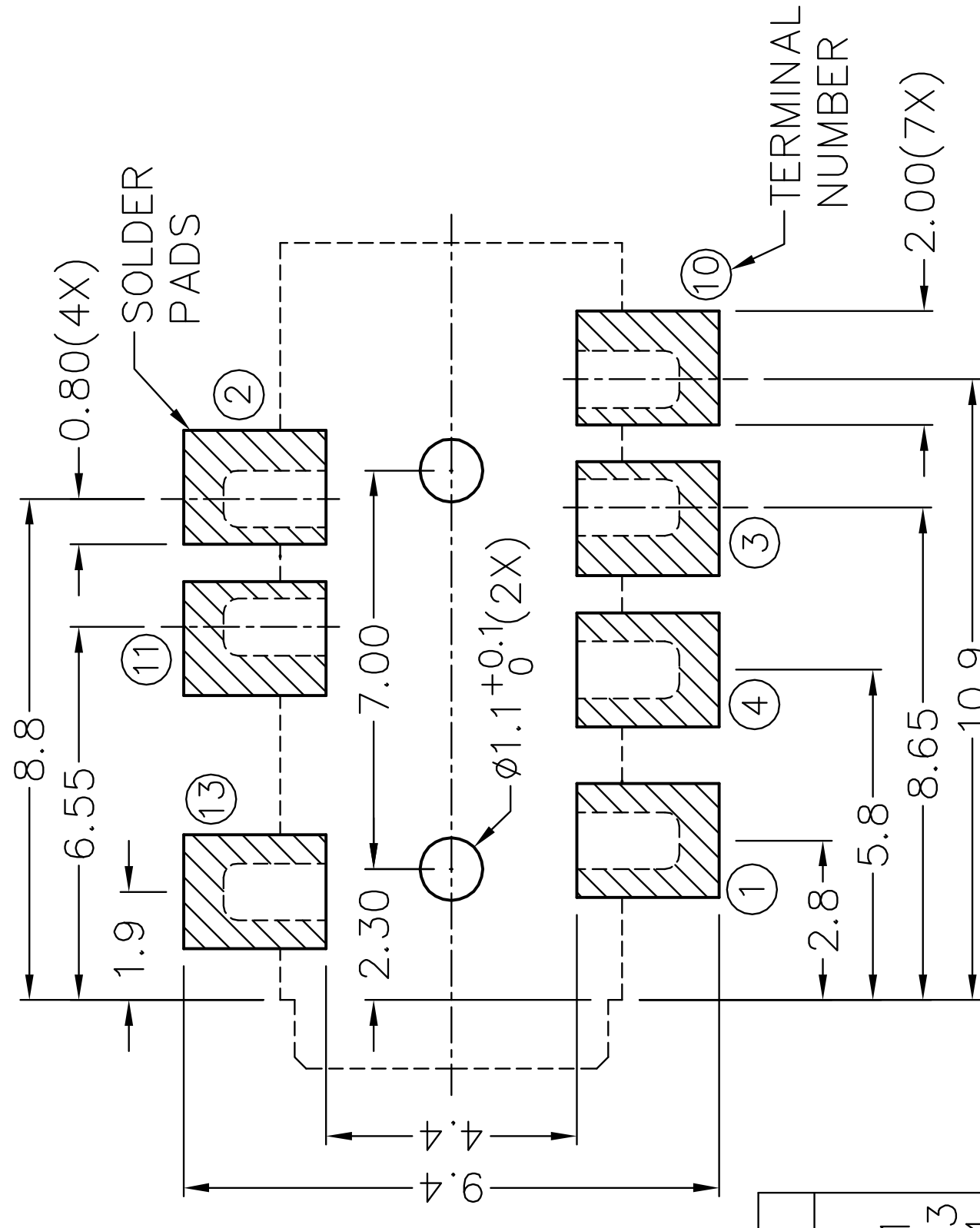
| | |
|-----------|------------|
| APPROVAL | DATE |
| J.X.KUANG | 16-12-2008 |
| | |
| | |

1

A DETAIL
COPLANARITY

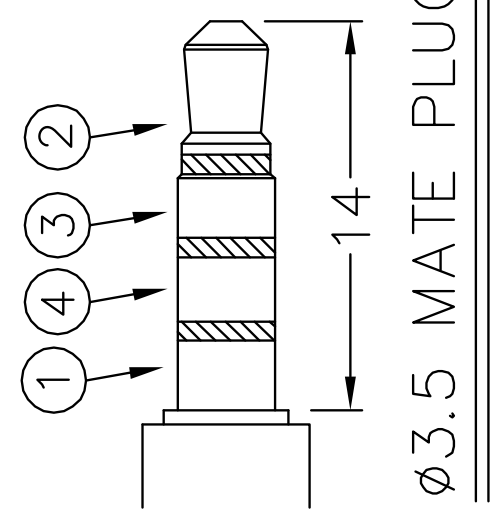
*** MATERIAL**

TERMINAL 1 : COPPER ALLOY
 TERMINAL 2 : COPPER ALLOY
 TERMINAL 3 : COPPER ALLOY
 TERMINAL 4 : COPPER ALLOY
 TERMINAL 10 : BRASS
 TERMINAL 11 : BRASS
 TERMINAL 13 : COPPER ALLOY
 SHIELD : STAINLESS STEEL
 HOUSING : PA6T

1**2****3**

RECOMMENDED
SOLDER PAD LAYOUT

| MODEL NO. | TSH-5017DS1 | TSH-5016ADS1 | TSH-5016BDS1 | TSH-5015DS1 |
|-----------|-------------|--------------|--------------|-------------|
| SCHEMATIC | | | | |

**4**

JOYNet Enterprise Co., Ltd.

| | | | | | |
|----------|--------|------|------------|----------|--------------------|
| DESIGN | T.Y.LI | DATE | 1-8-2007 | SCALE | 4:1 |
| DRAWING | T.Y.LI | DATE | 16-12-2008 | MATERIAL | * |
| CHECK | | DATE | | DWG. NO. | TZ\SH501DS1-PA6T/B |
| APPROVAL | | DATE | | SHEET | |

| | | | | | |
|-----------|----------------------------------------|----------------------|------------|-------|----|
| PART NAME | 3.5mm SMD STEREO JACK W/HANDING SHIELD | TOLERANCE UNLESS | 0.0±0.2 | UNIT: | mm |
| PART NO. | TSH-501DS1 | OTHERWISE SPECIFIED: | 0.000±0.05 | | |

F**E****D****C****B****A**