

F

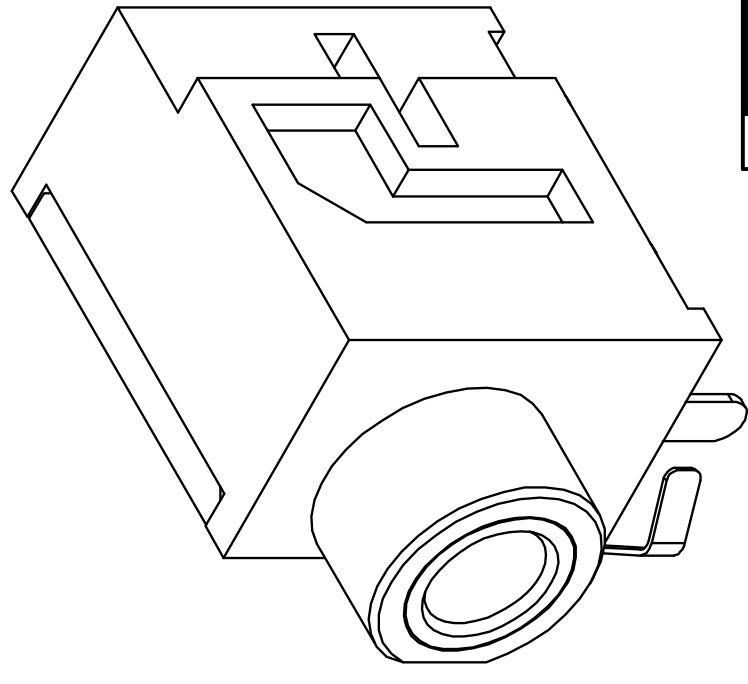
E

D

C

B

A



RoHS
Compliant

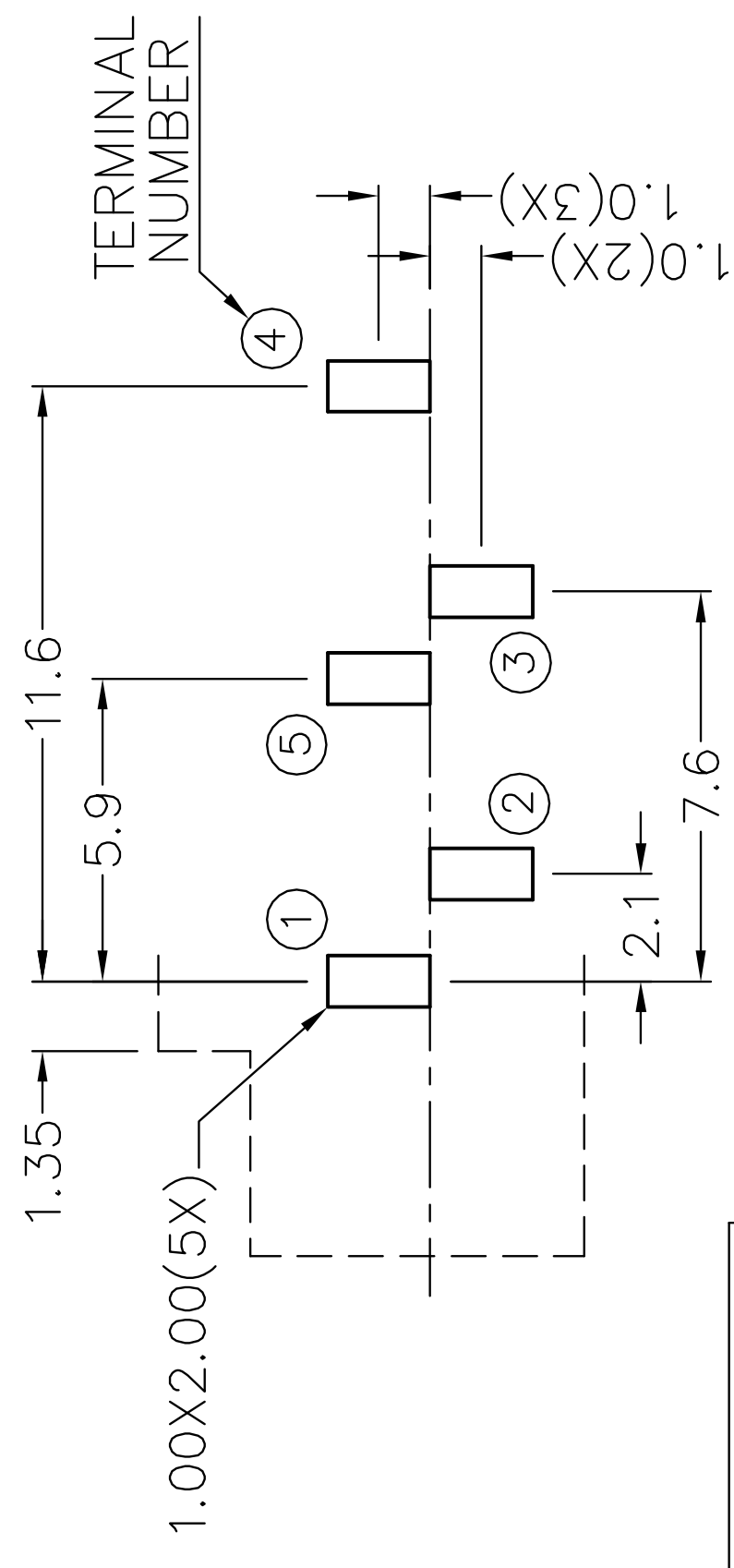
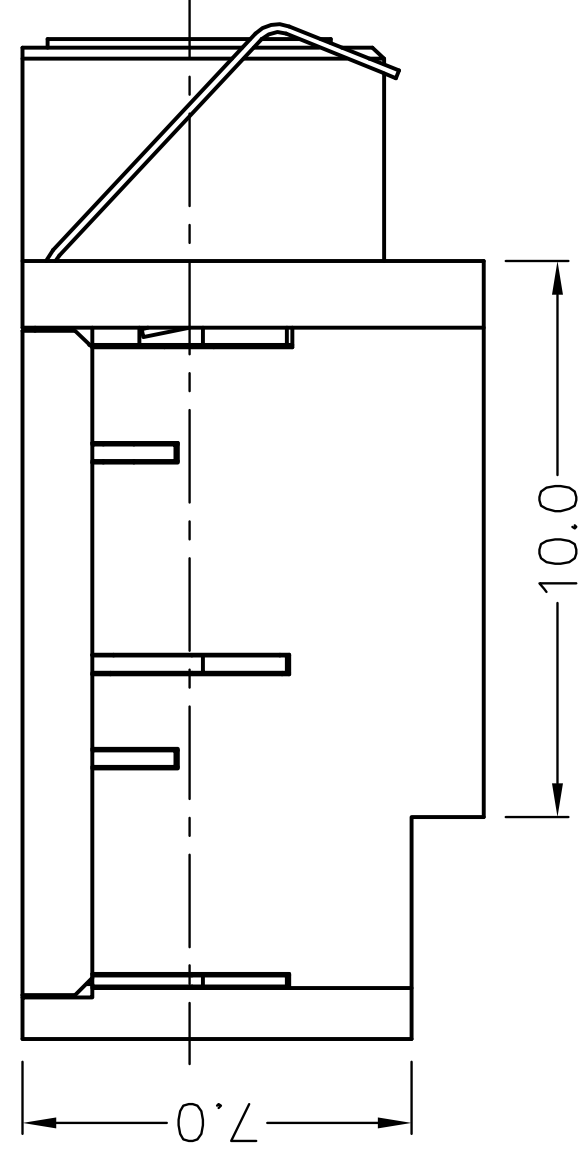
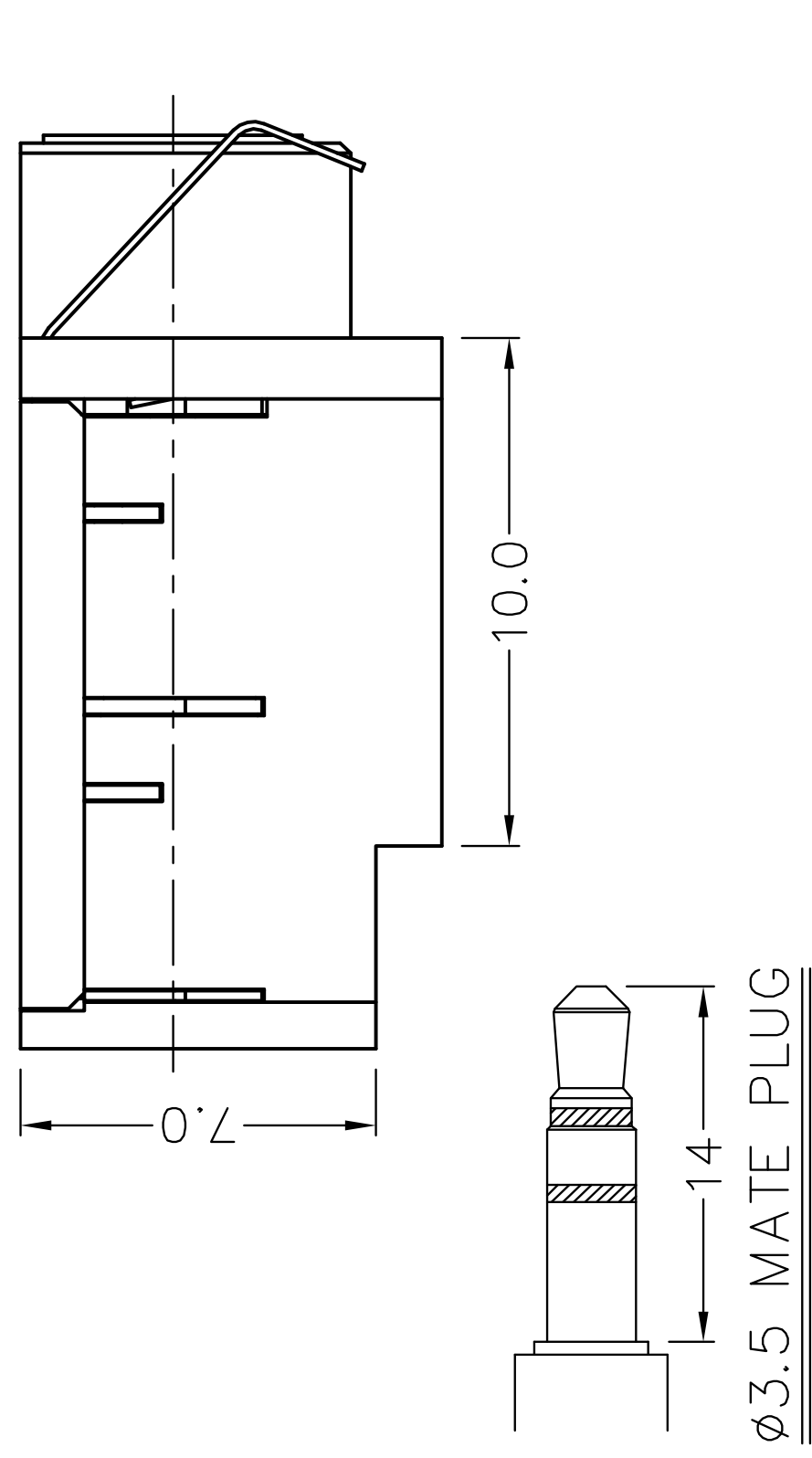
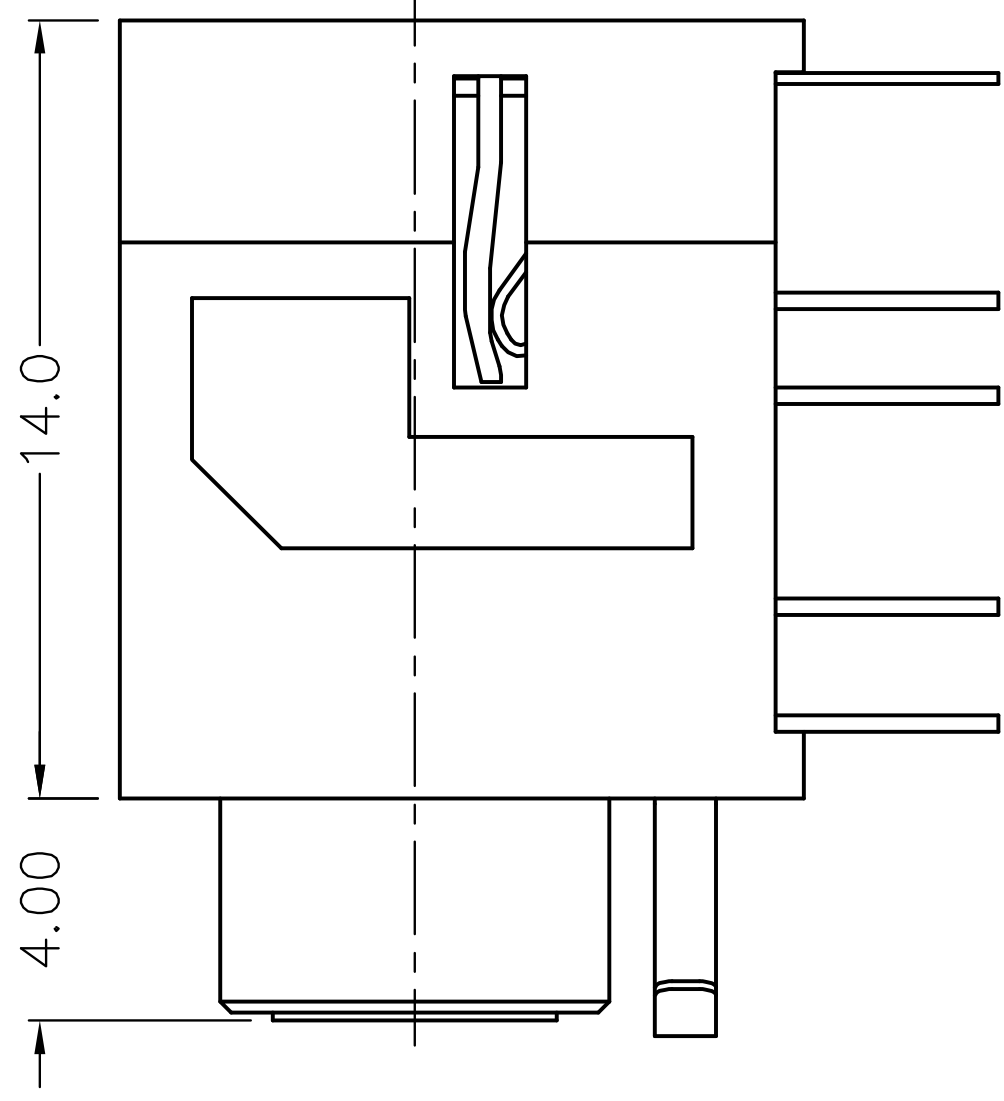
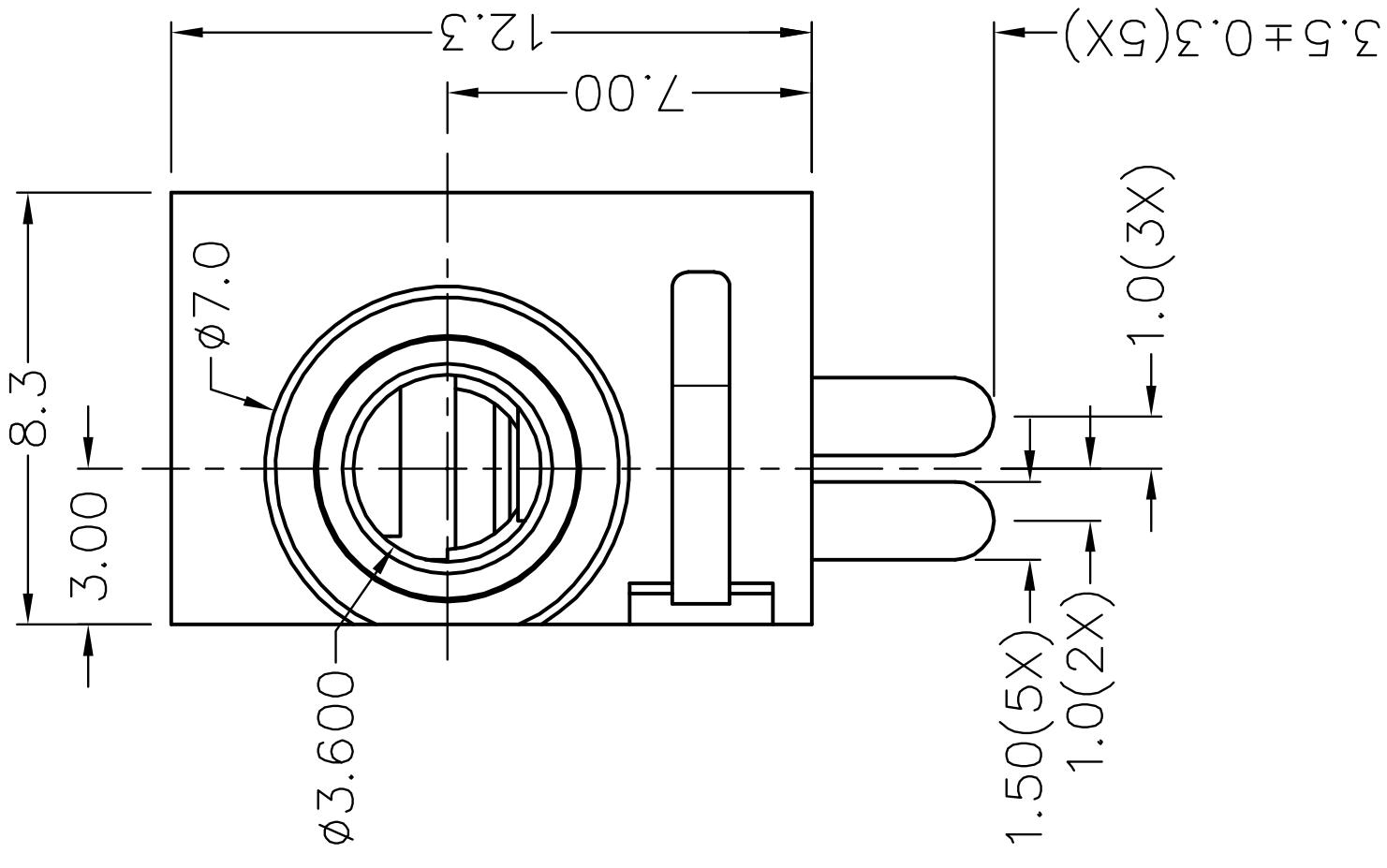
ZONE	SYMBOL	REVISION	APPROVAL	DATE

1

1

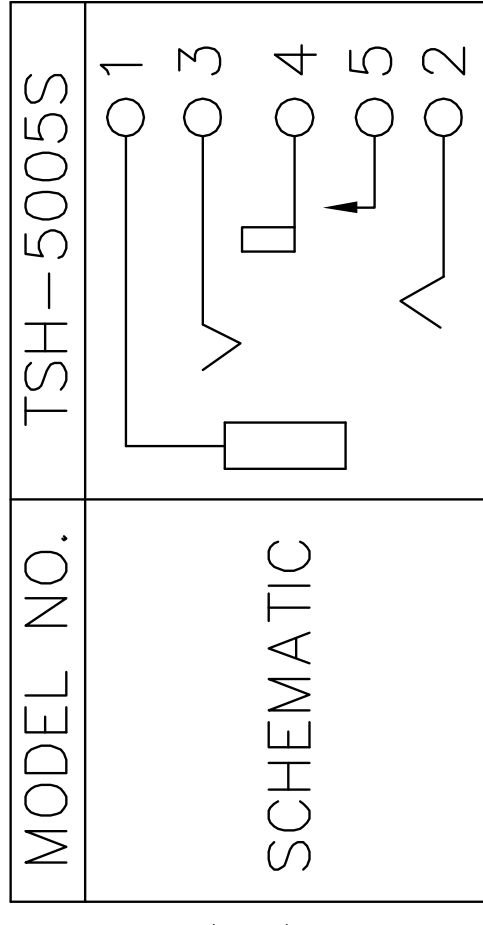
2

2



*** MATERIAL**

- TERMINAL 1 : BRASS
- TERMINAL 2 : BRASS
- TERMINAL 3 : BRASS
- TERMINAL 4 : COPPER ALLOY
- TERMINAL 5 : BRASS
- BUSHING : BRASS
- SPRING : STAINLESS STEEL
- SHIELD : STAINLESS STEEL
- HOUSING : PA66
- COVER : PA66



PCB LAYOUT
(BOTTOM VIEW)

1

2

3

4

F

E

D

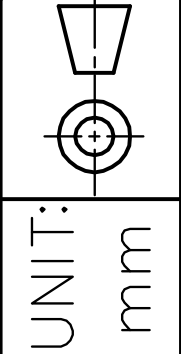
C

B

A

JOYNet Enterprise Co., Ltd.

DESIGN	T.Y.LI	DATE	6-6-2007	SCALE	3:1
DRAWING	T.Y.LI	DATE	6-6-2007	MATERIAL	*
CHECK		DATE		DWG. NO.	TZ\SH500S-PA66/A
APPROVAL		DATE		SHEET	



TOLERANCE UNLESS 0.0±0.2
OTHERWISE SPECIFIED: 0.00±0.1
UNIT: mm

PART NAME	3.5mm STEREO JACK
PART NO.	TSH-500S