

F

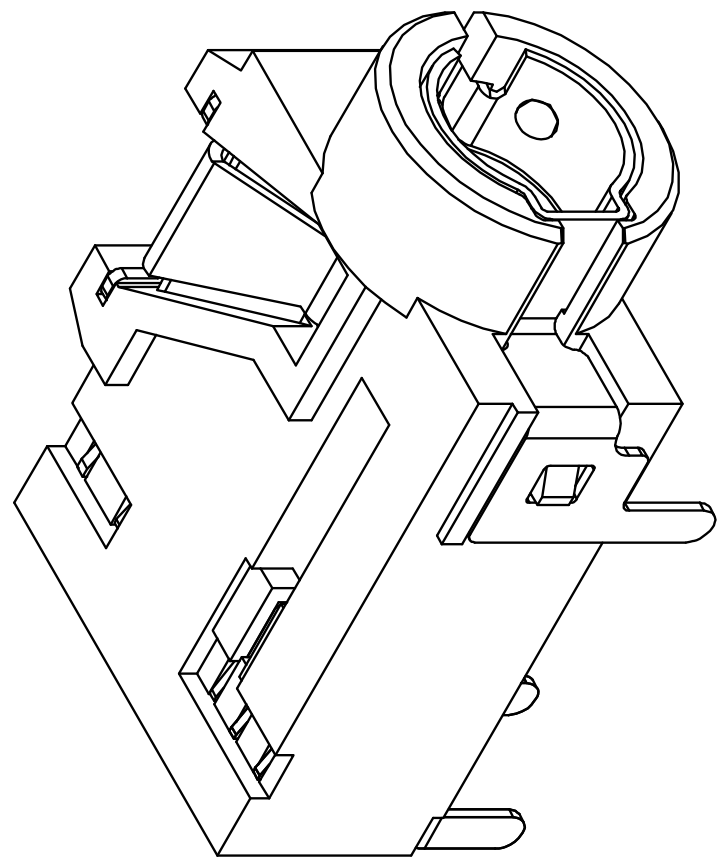
E

D

C

B

A

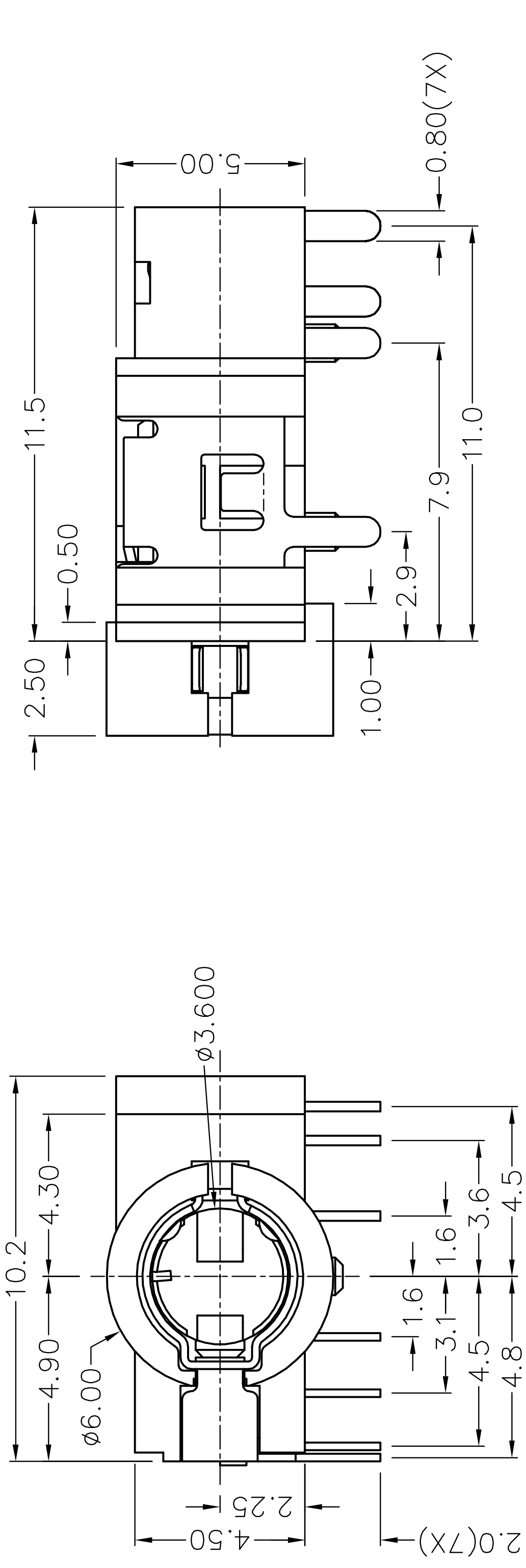


RoHS
Compliant

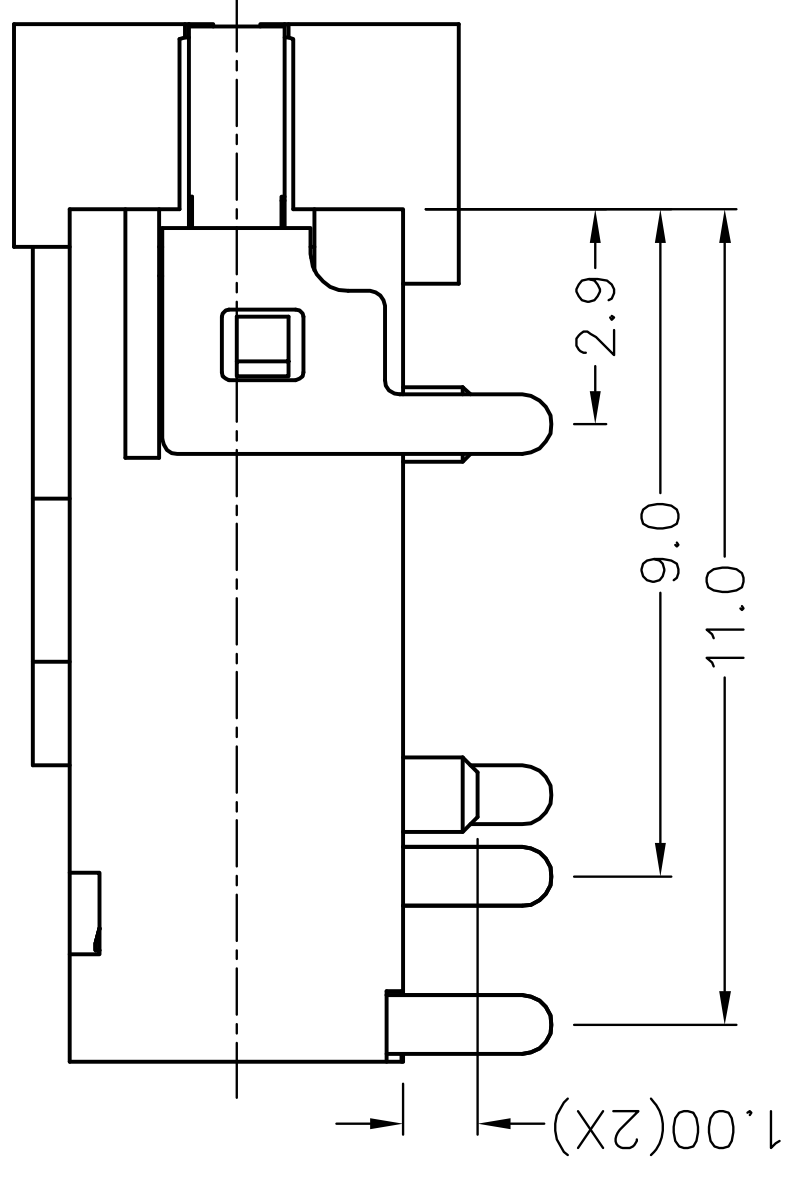
ZONE	SYMBOL

REVISION	APPROVAL	DATE
SEPARATED SCHEMATIC	J.X.KUANG	2-6-2008

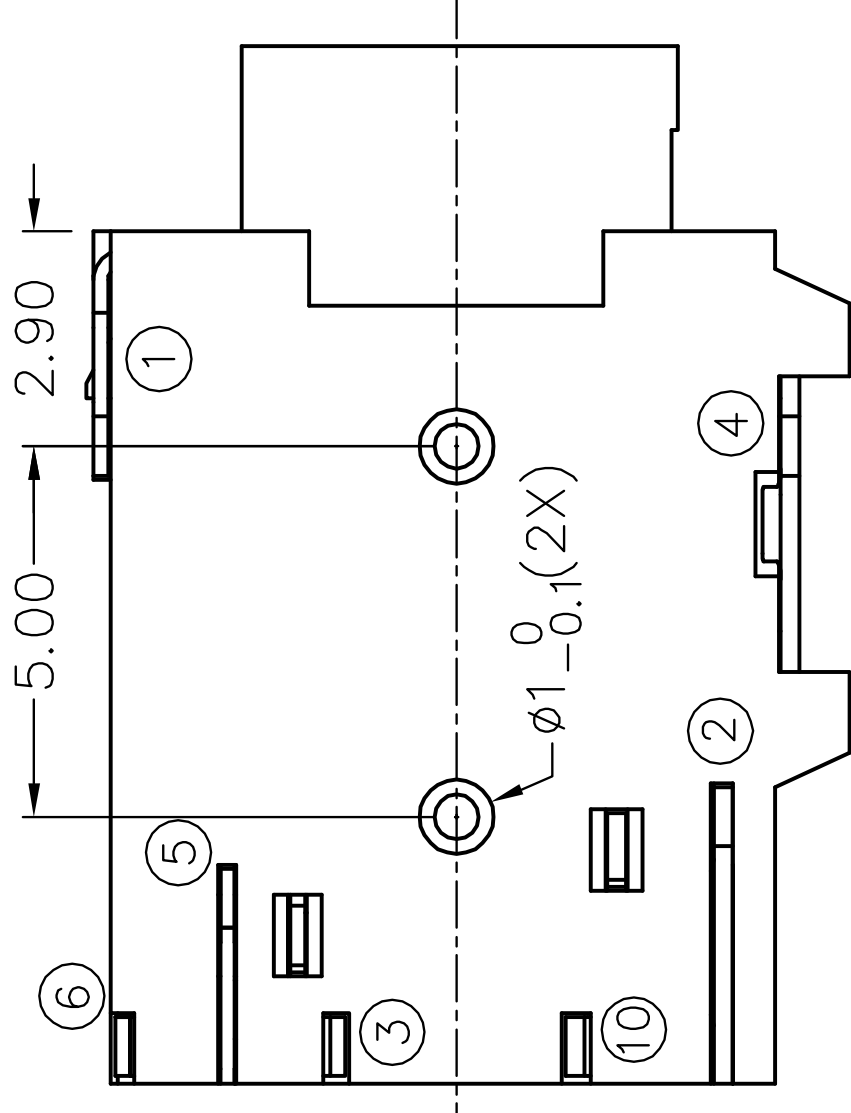
1



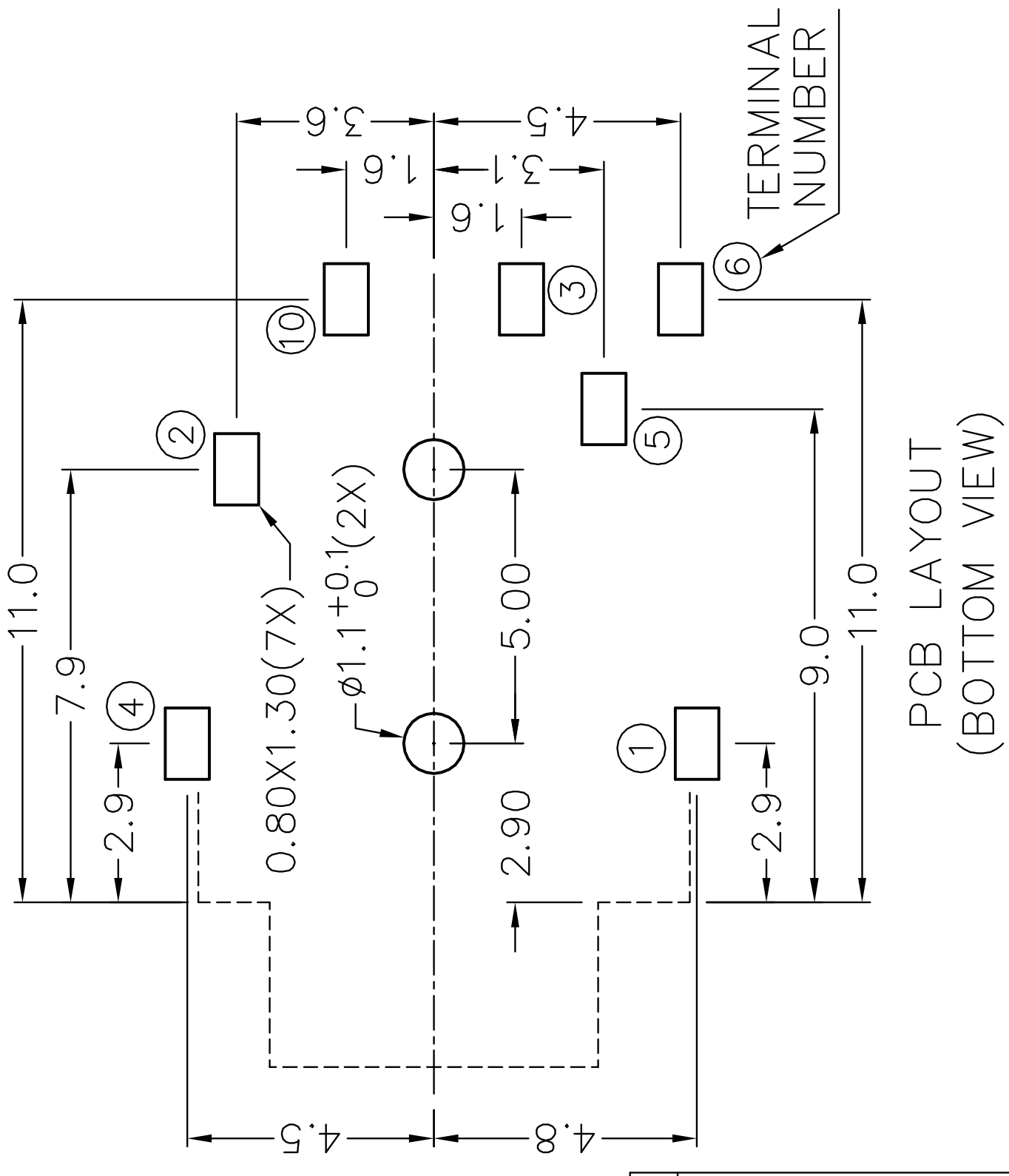
2



3

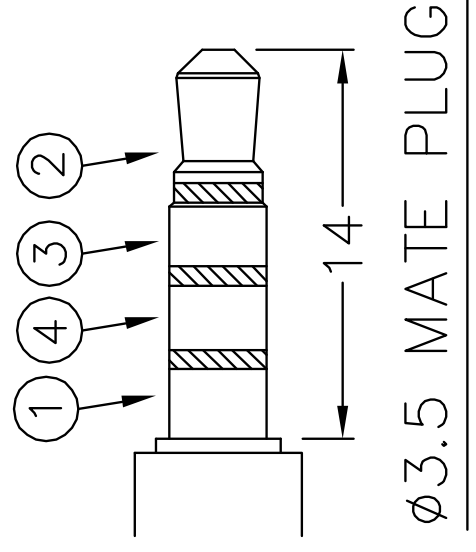


4



*** MATERIAL**

TERMINAL 1	: COPPER ALLOY
TERMINAL 2	: COPPER ALLOY
TERMINAL 3	: COPPER ALLOY
TERMINAL 4	: COPPER ALLOY
TERMINAL 5	: COPPER ALLOY
TERMINAL 6	: COPPER ALLOY
TERMINAL 10	: BRASS
HOUSING	: PA66



MODEL NO.	TSH-3997	TSH-3996	TSH-3995	TSH-3994
SCHEMATIC				

JOYNet Enterprise Co., Ltd.

DESIGN	T.Y.LI	DATE	18-5-2007	SCALE	4:1
DRAWING	T.Y.LI	DATE	2-6-2008	MATERIAL	*
CHECK		DATE		DWG. NO.	TZ\SH399-PA66/B
APPROVAL		DATE		SHEET	

PART NAME 3.5mm STEREO JACK

TOLERANCE UNLESS 0.0 \pm 0.2

UNIT:

OTHERWISE SPECIFIED: 0.000 \pm 0.05

PART NO. TSH-399

DATE

DATE

DATE

DATE

DATE

F

E

D

C

B

A