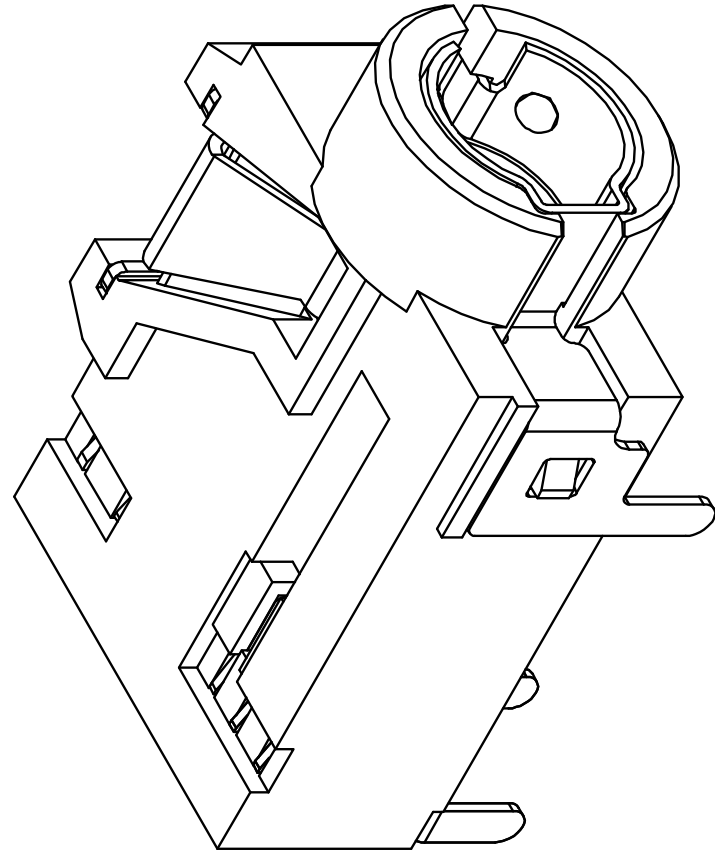
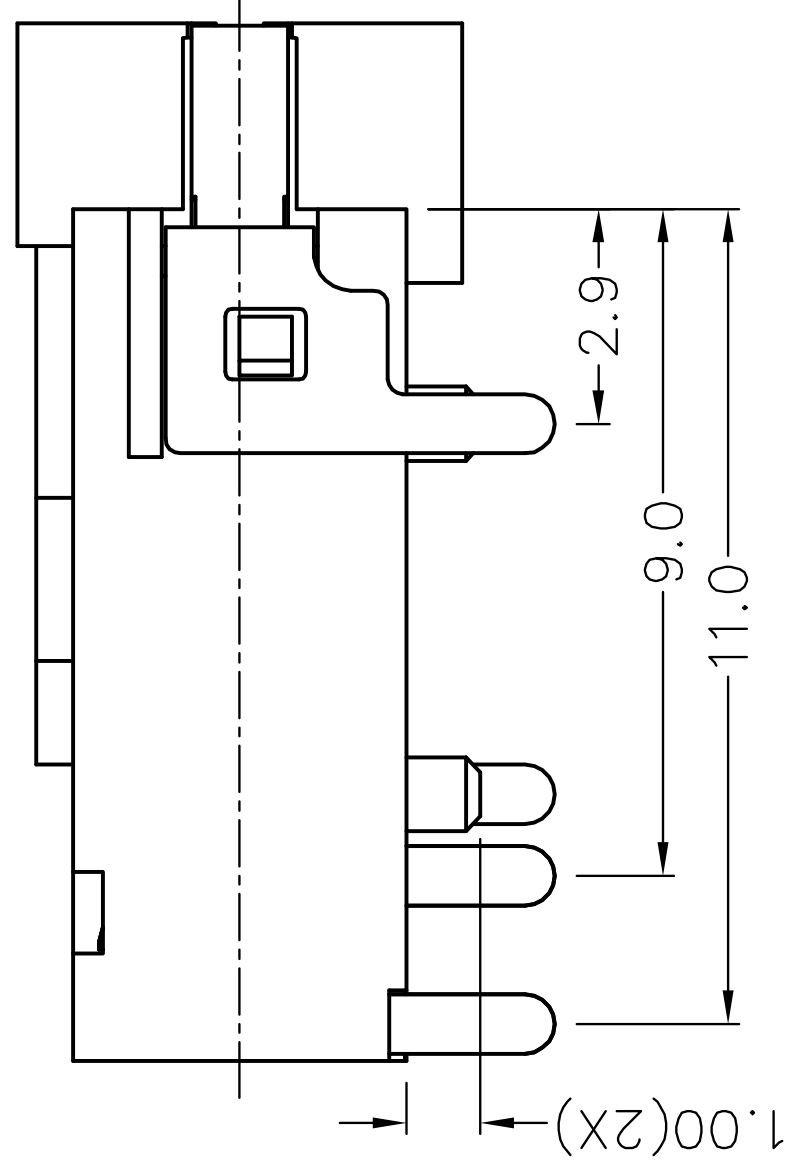
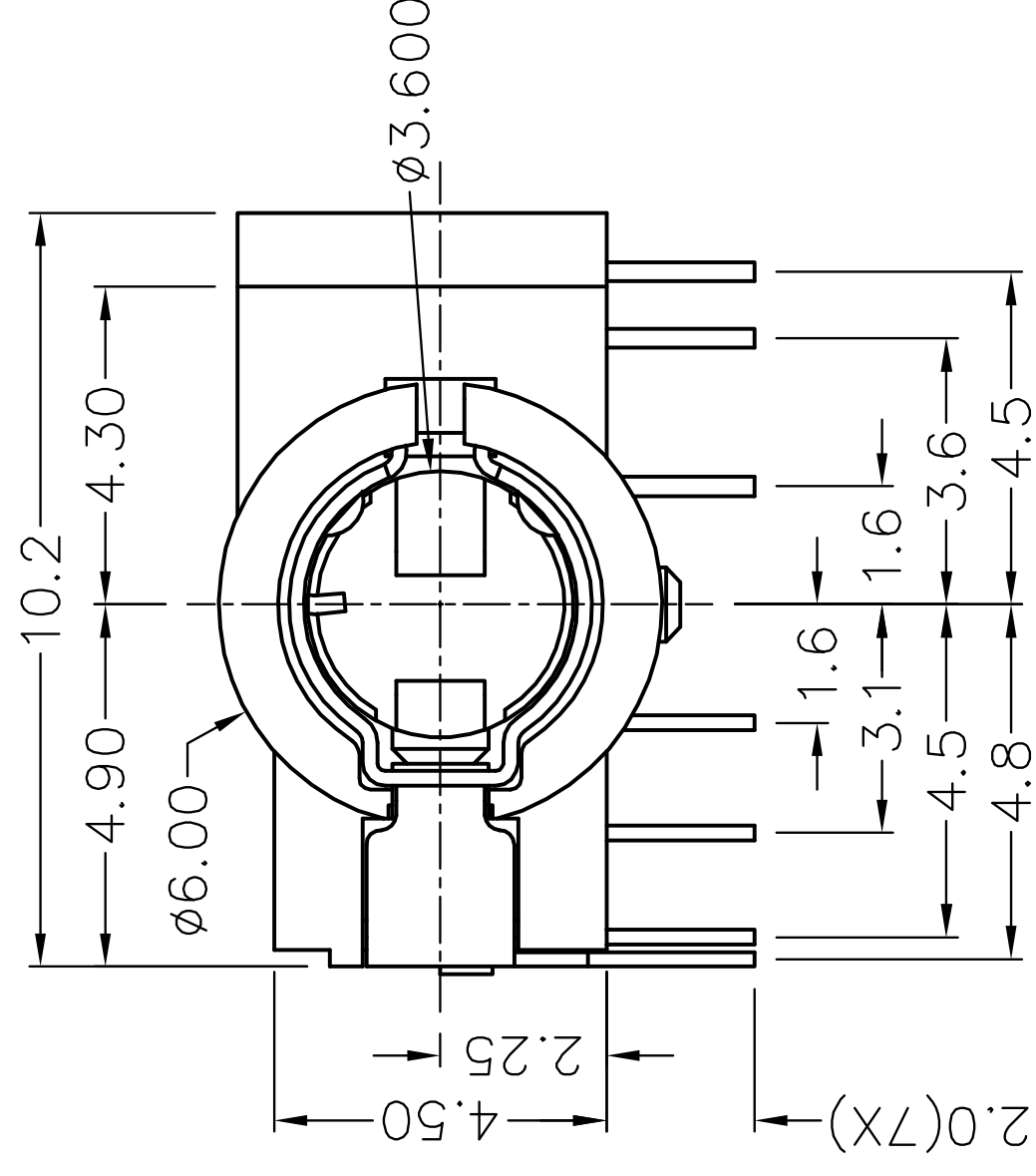


**F****E****D**

**RoHS**  
Compliant

**C**

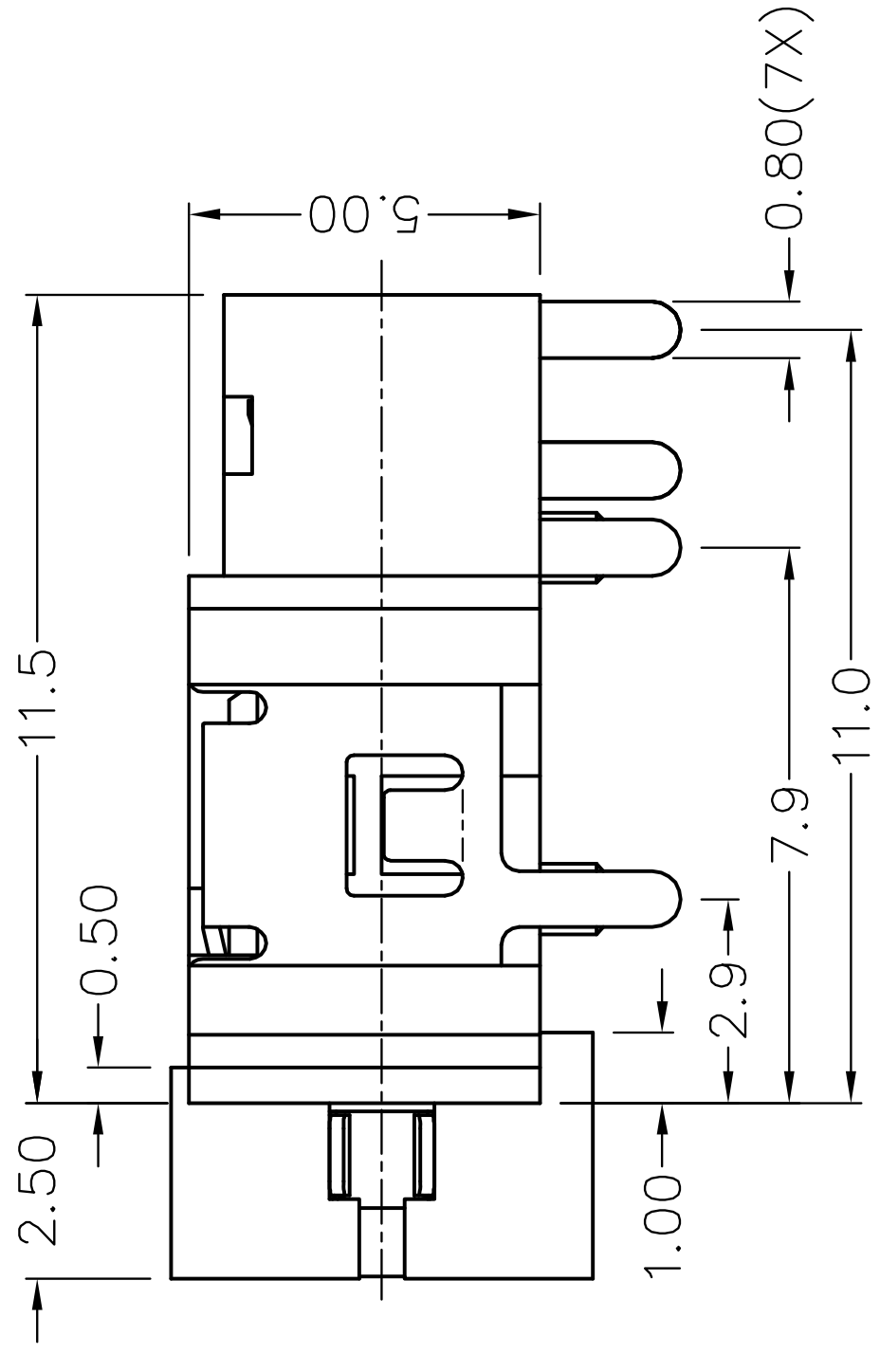
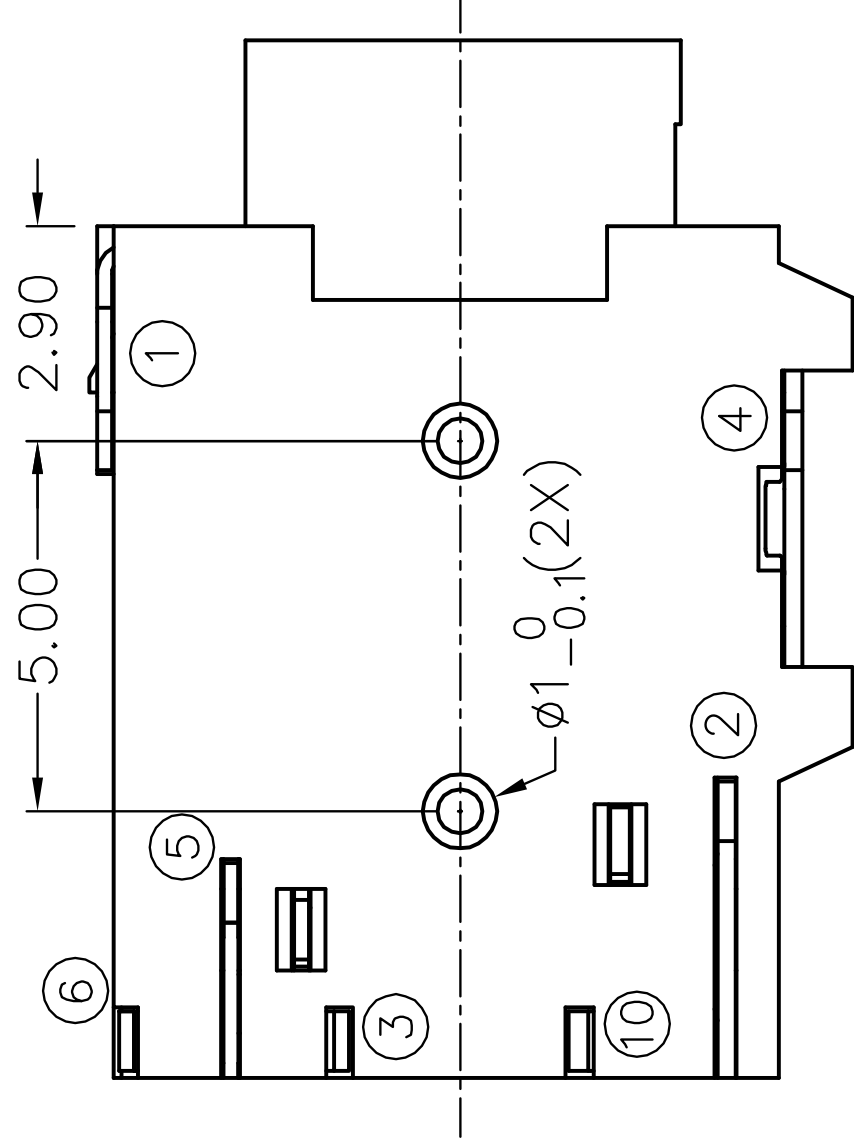
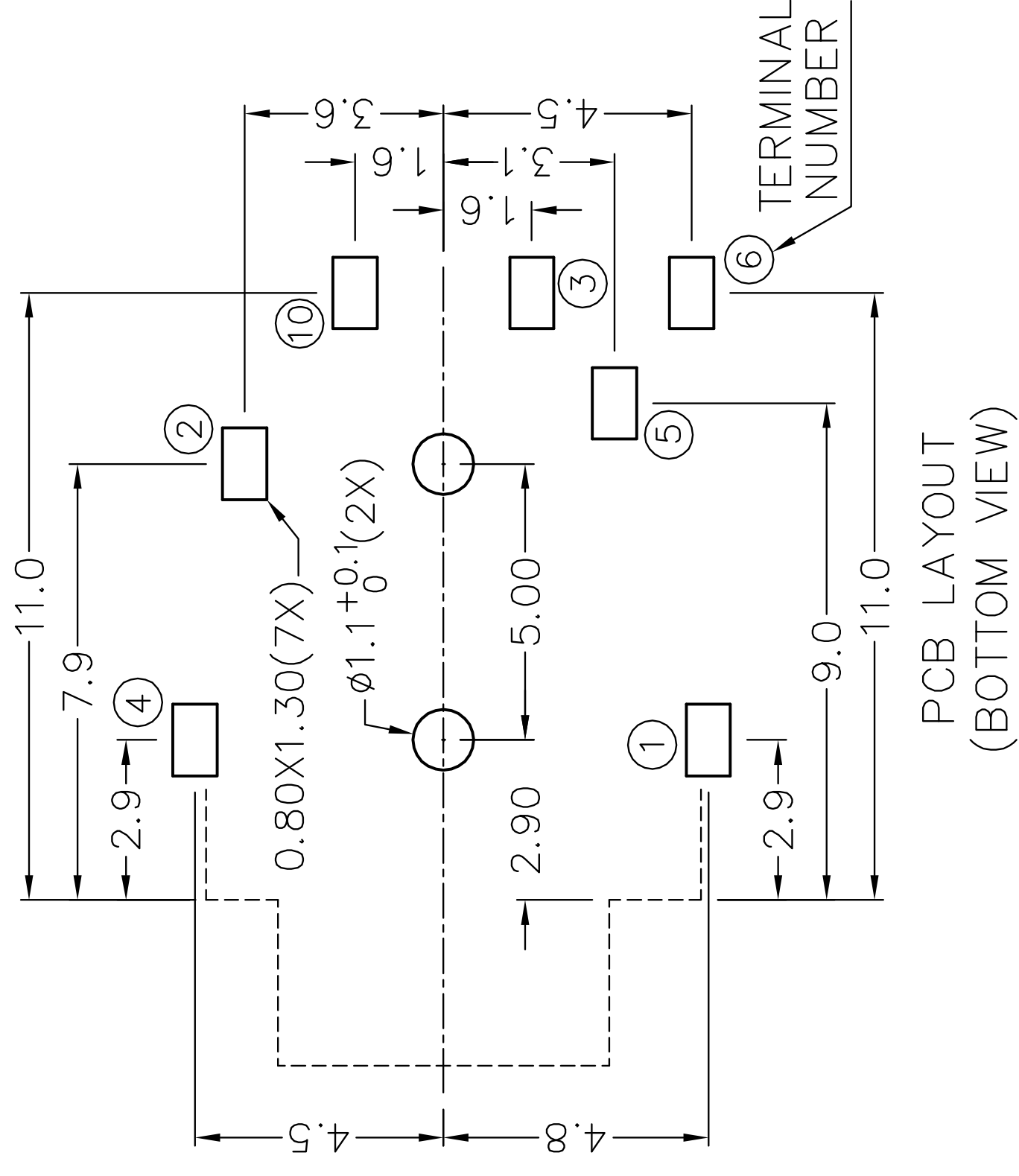
ZONE	SYMBOL

**B**

REVISION

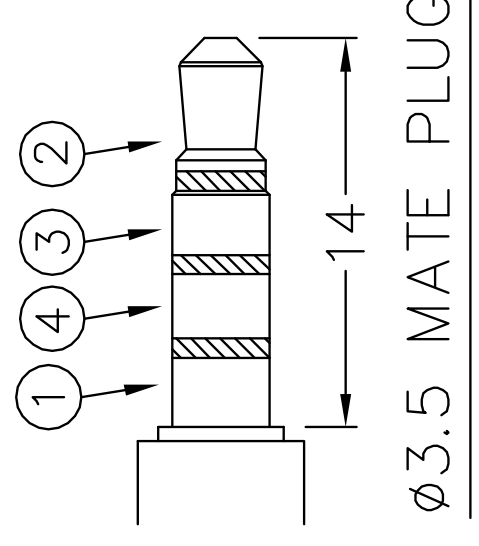
APPROVAL

DATE

**A****1****2****3****4**

**\* MATERIAL**

TERMINAL 1 : COPPER ALLOY  
 TERMINAL 2 : COPPER ALLOY  
 TERMINAL 3 : COPPER ALLOY  
 TERMINAL 4 : COPPER ALLOY  
 TERMINAL 5 : COPPER ALLOY  
 TERMINAL 6 : COPPER ALLOY  
 TERMINAL 10 : BRASS  
 HOUSING : PA66



MODEL NO.	TSH-3997-2	TSH-3996-2
SCHEMATIC		

**JOYNet Enterprise Co., Ltd.**

PART NAME

3.5mm STEREO JACK

TOLERANCE UNLESS 0.0±0.2

UNIT:



mm

PART NO.

TSH-399-2

OTHERWISE SPECIFIED: 0.000±0.05

DATE

DATE

DATE

DATE

DATE

DATE

DATE

DATE

DATE

DATE

DATE

DATE

DATE

DATE

**F****E****D****C****B****A**

DESIGN T.Y.LI DATE 18-5-2007 SCALE 4:1

DRAWING T.Y.LI DATE 2-6-2008 MATERIAL \*

CHECK DATE DWG. NO. TZ\SH399-2-PA66/A

APPROVAL DATE SHEET