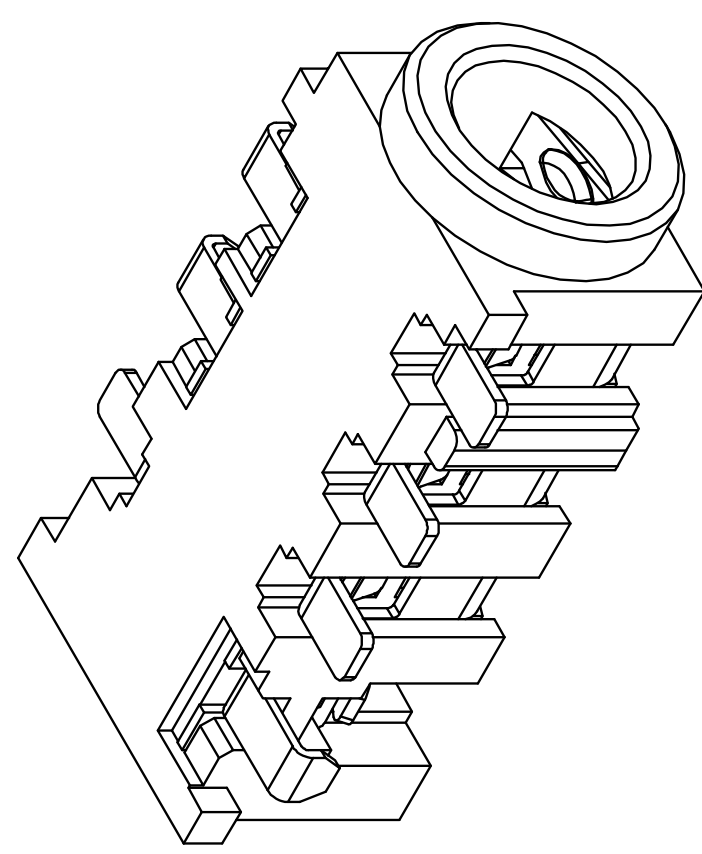
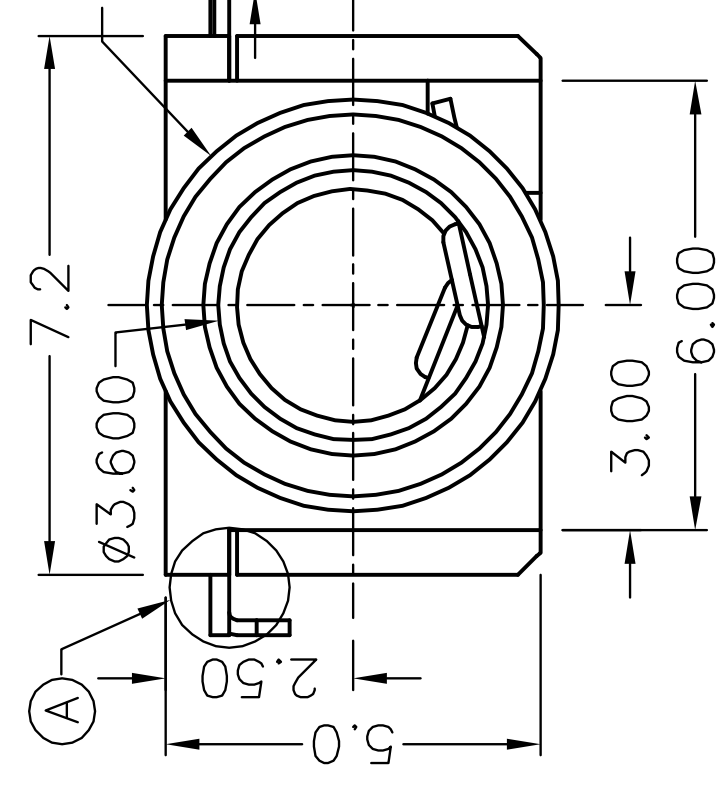
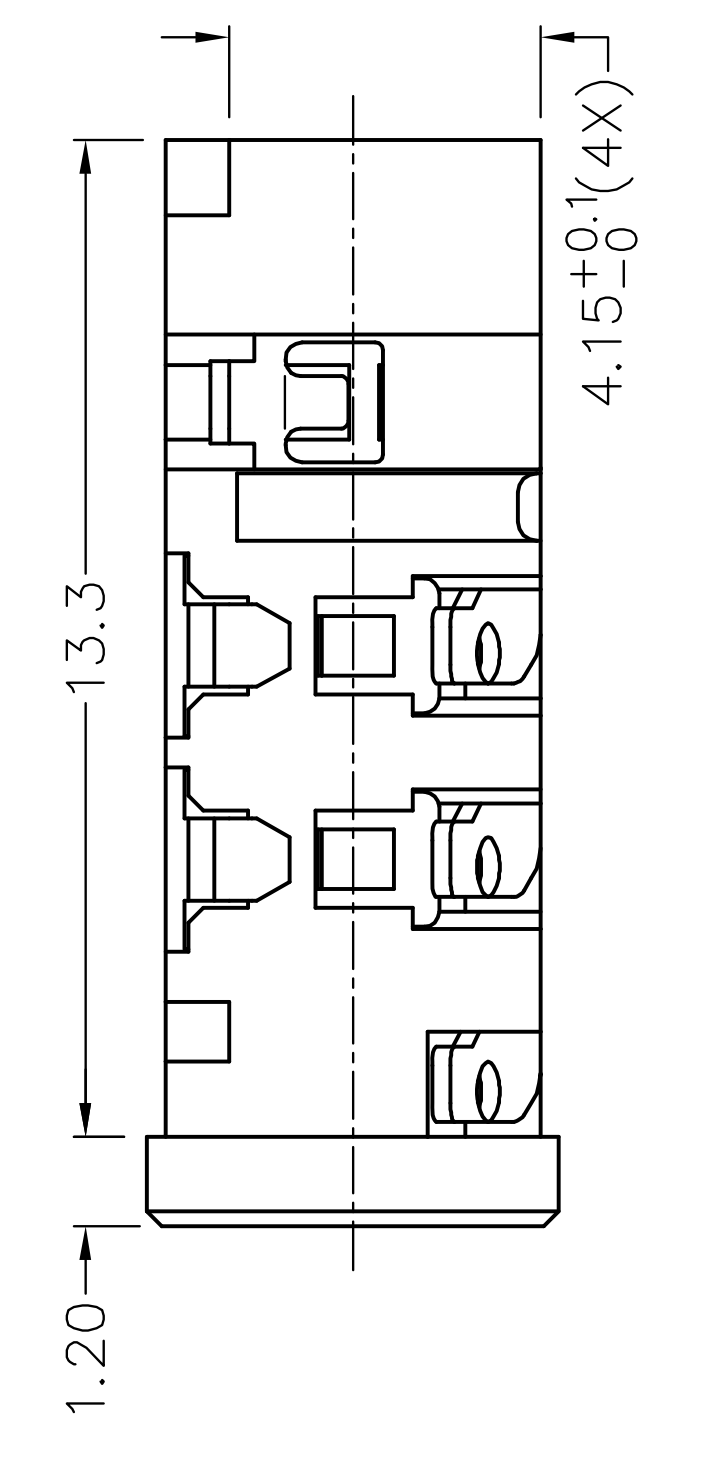
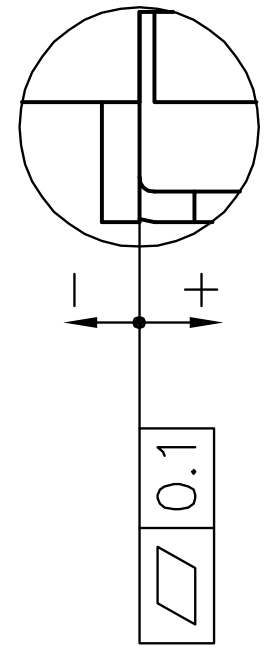
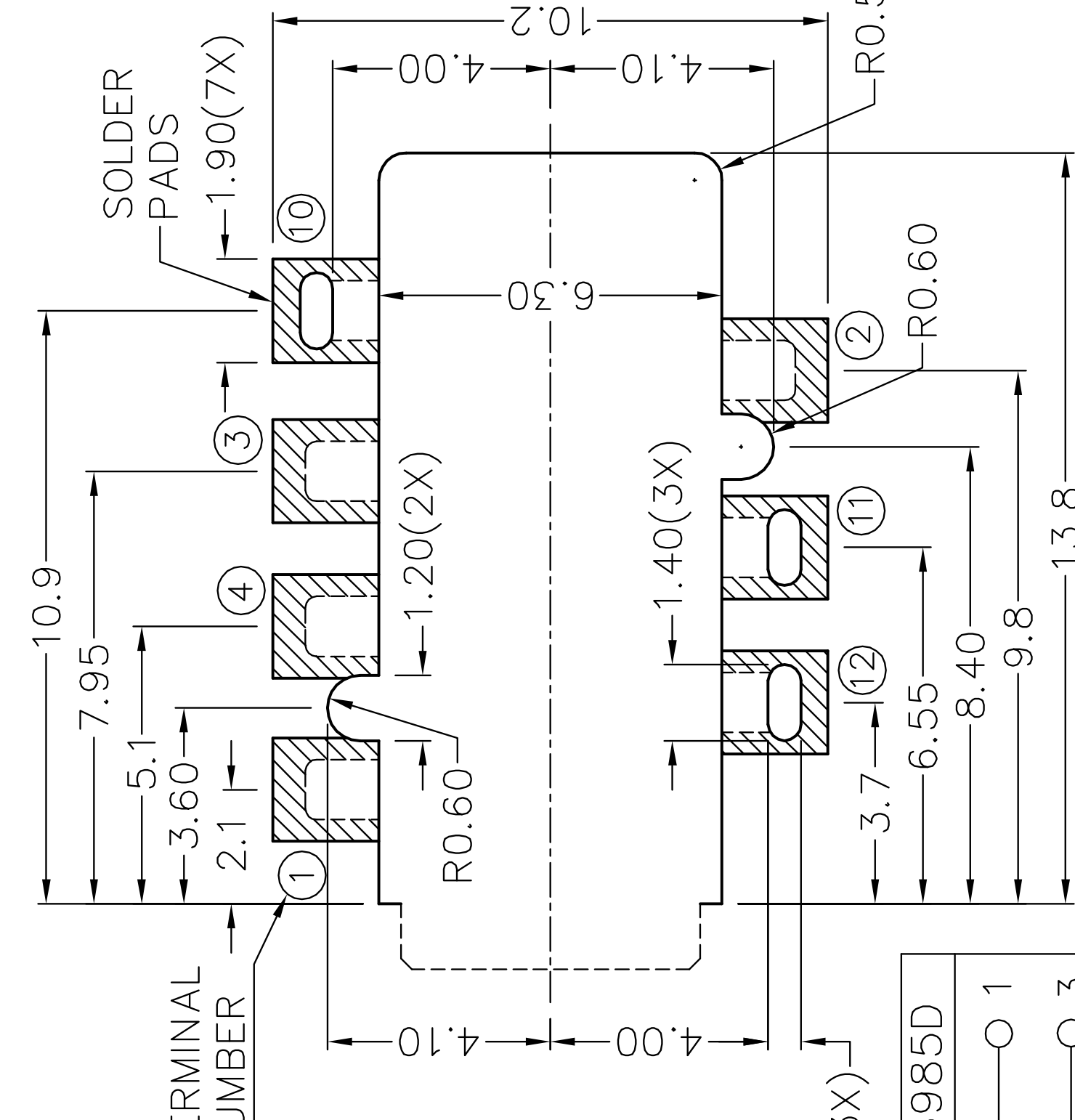
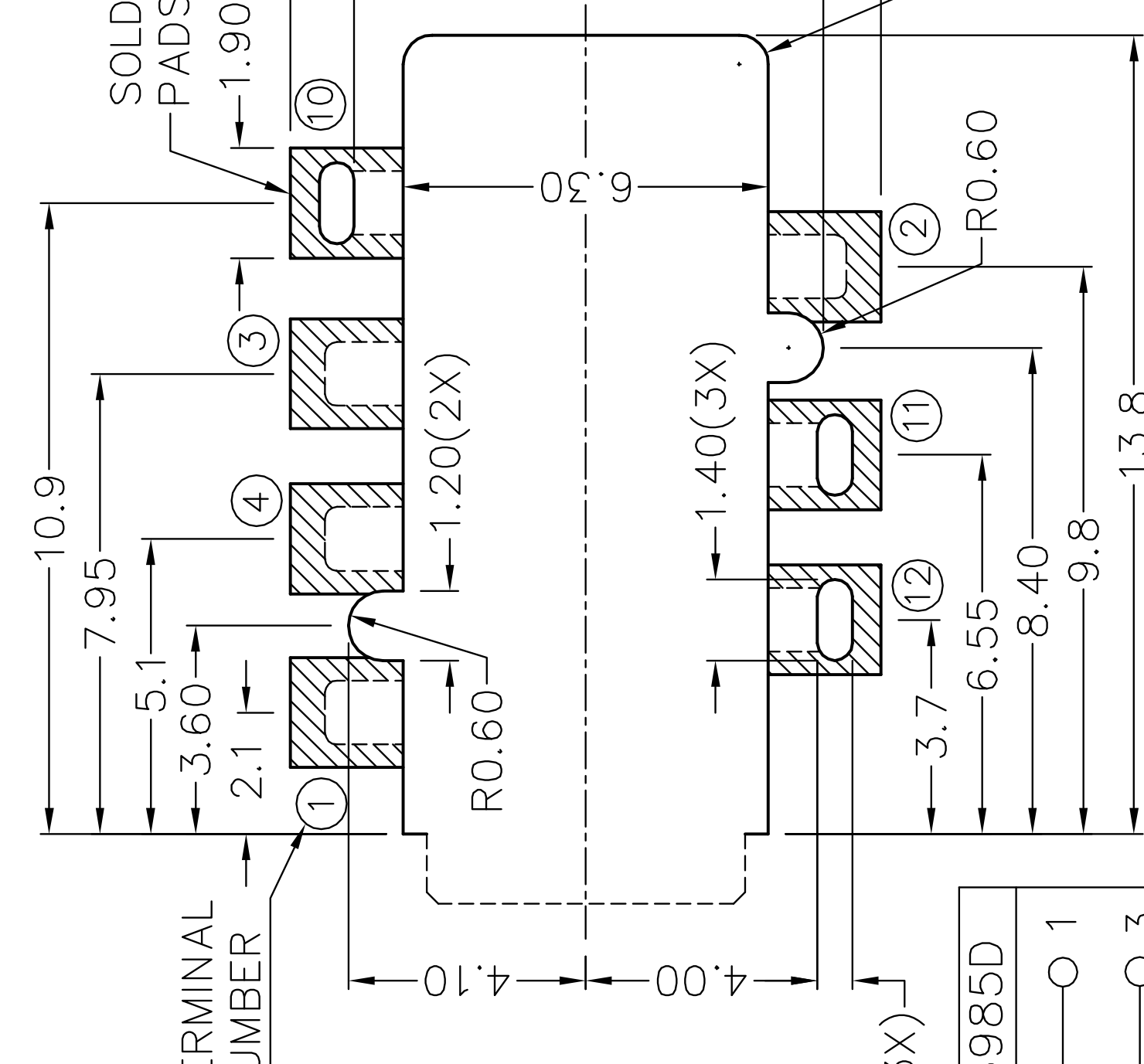
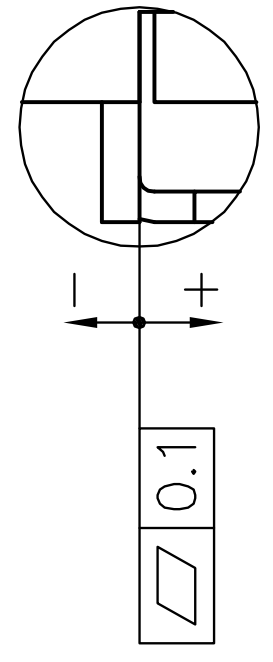
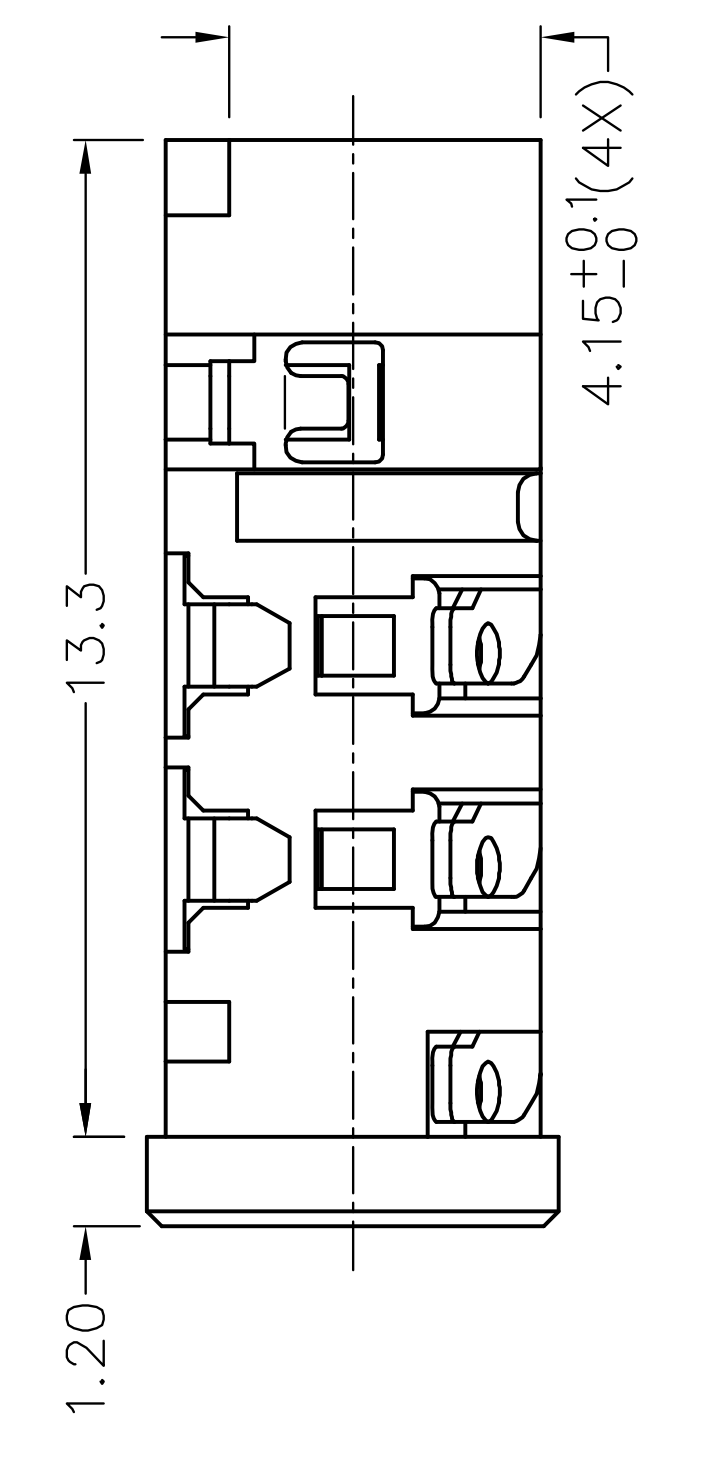
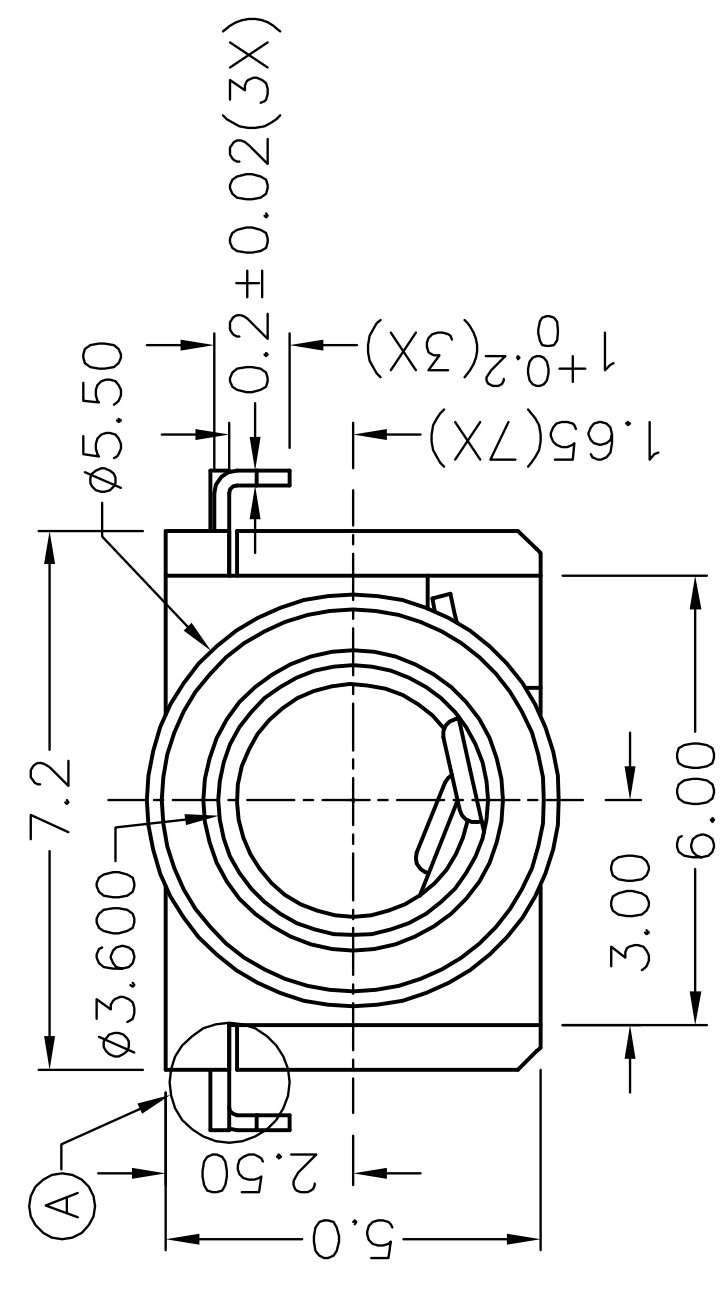


<b>F</b>		<b>E</b>		<b>D</b>		<b>C</b>		<b>B</b>		<b>A</b>	
											
<p><b>RoHS</b> Compliant</p>		<p>ZONE SYMBOL</p>		<p>REVISION</p>		<p>APPROVAL</p>		<p>DATE</p>		<p>ADDED INDICATION OF COPLANARITY</p>	
						<p>J.X.KUANG</p>		<p>1-12-2008</p>		<p>1-12-2008</p>	

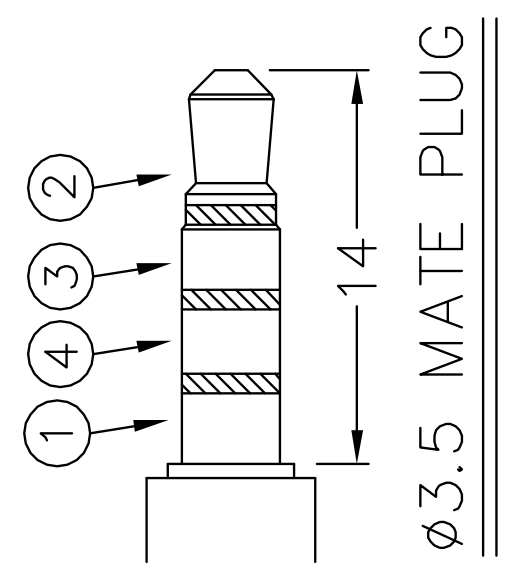
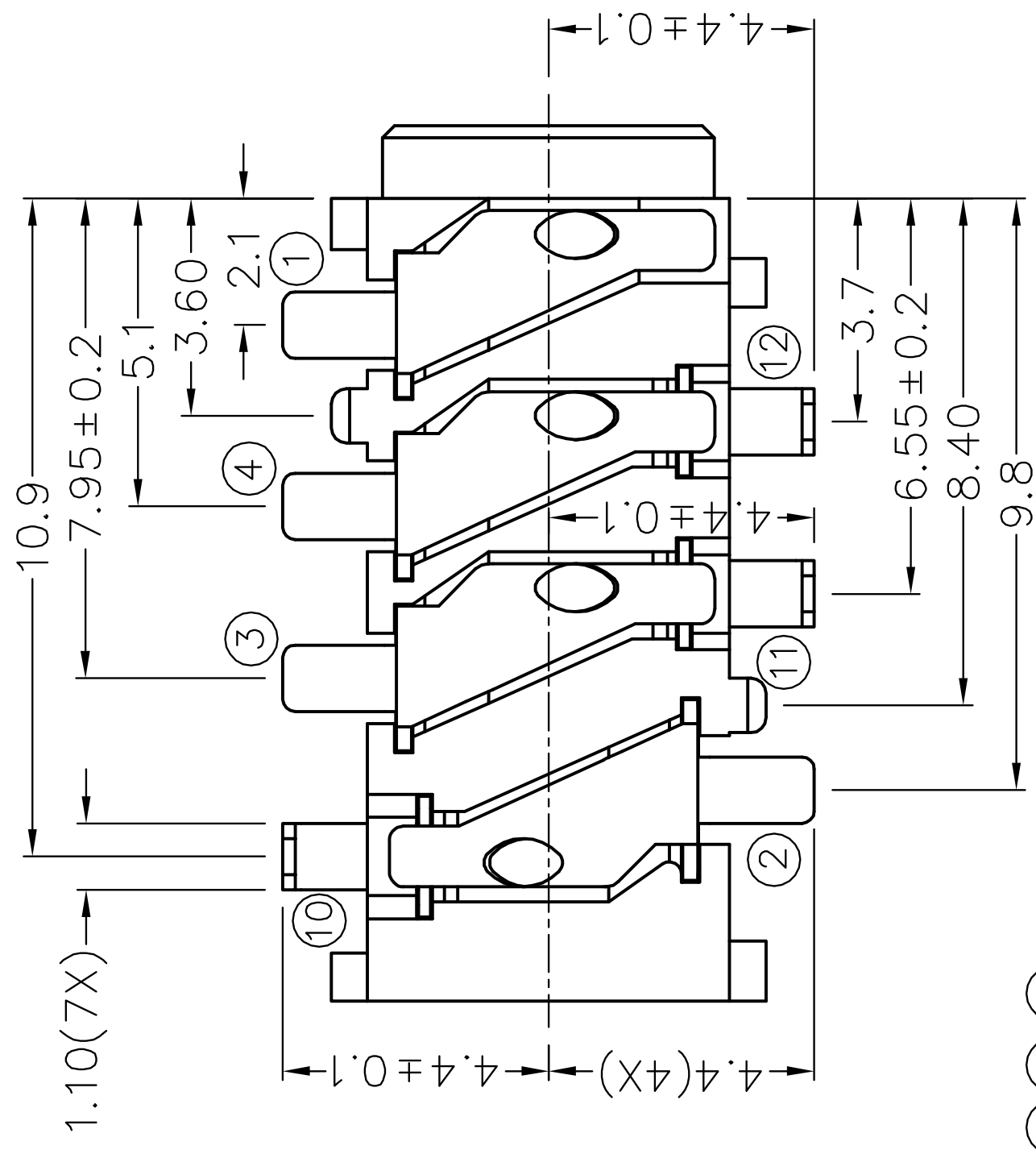
1 2 3 4



COPLANARITY A DETAIL

**\* MATERIAL**

- TERMINAL 1 : COPPER ALLOY
- TERMINAL 2 : COPPER ALLOY
- TERMINAL 3 : COPPER ALLOY
- TERMINAL 4 : COPPER ALLOY
- TERMINAL 10 : BRASS
- TERMINAL 11 : BRASS
- TERMINAL 12 : BRASS
- HOUSING : PA6T



MODEL NO.	TSH-3987D	TSH-3986AD	TSH-3985AD	TSH-3984D	TSH-3985D
SCHEMATIC					

RECOMMENDED  
SOLDER PAD LAYOUT



PART NAME	3.5mm SMD STEREO JACK	TOLERANCE UNLESS	0.0±0.2	DESIGN	T.Y.LI	DATE	26-6-2007	SCALE	4:1
PART NO.	TSH-398D	OTHERWISE SPECIFIED:	0.00±0.1 0.000±0.05 mm	DRAWING	T.Y.LI	DATE	1-12-2008	MATERIAL	*
				CHECK		DATE		DWG. NO.	TZ\SH398D-PA6T/C
				APPROVAL		DATE		SHEET	

F E D C B A