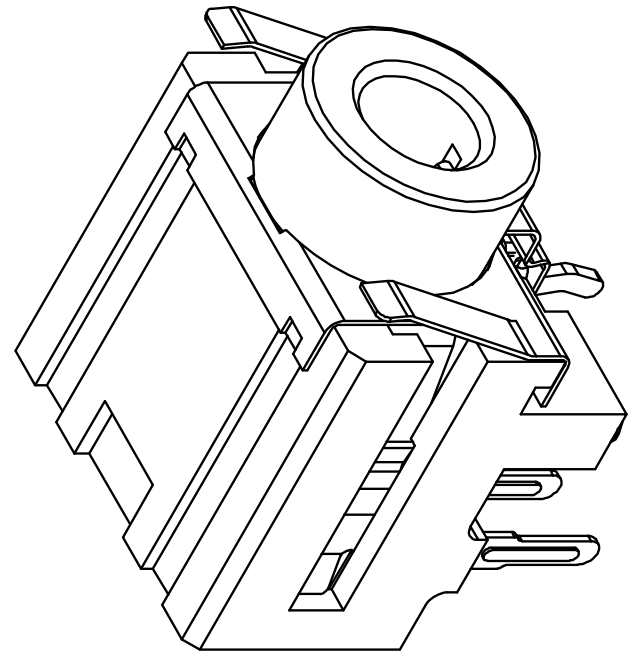
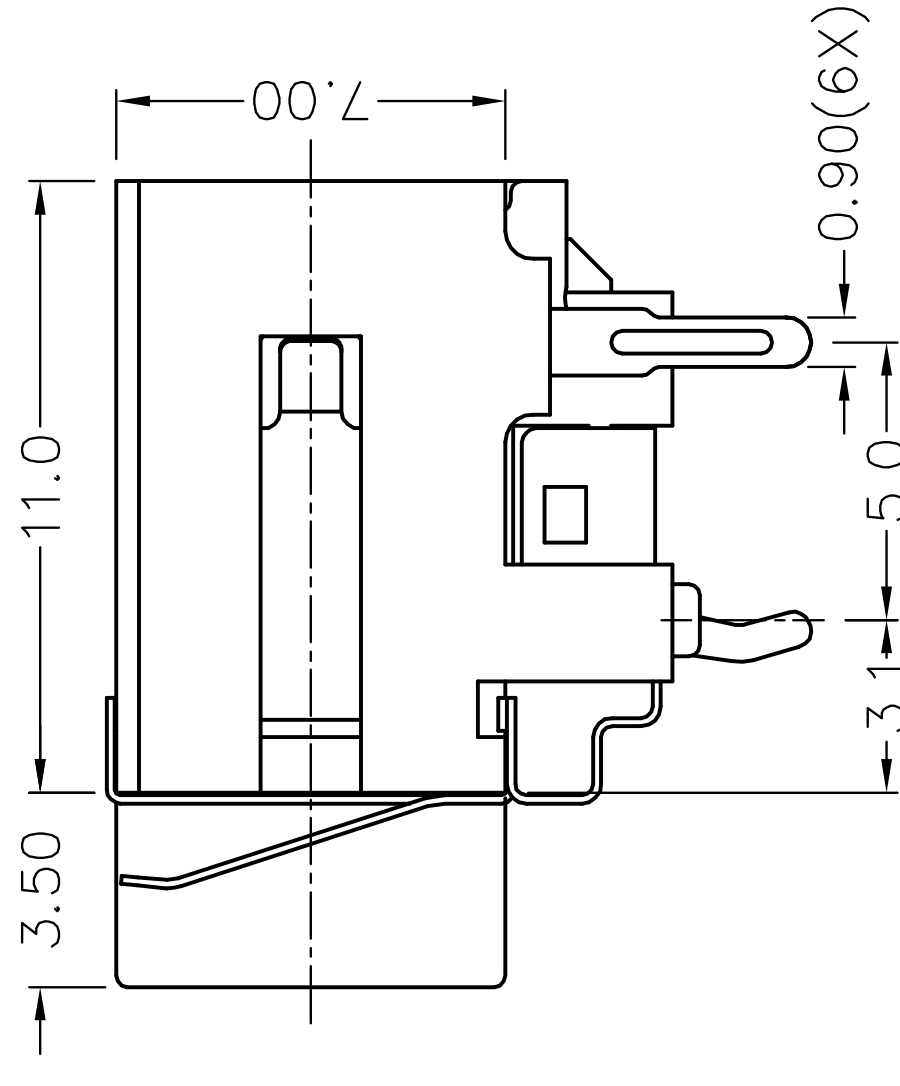
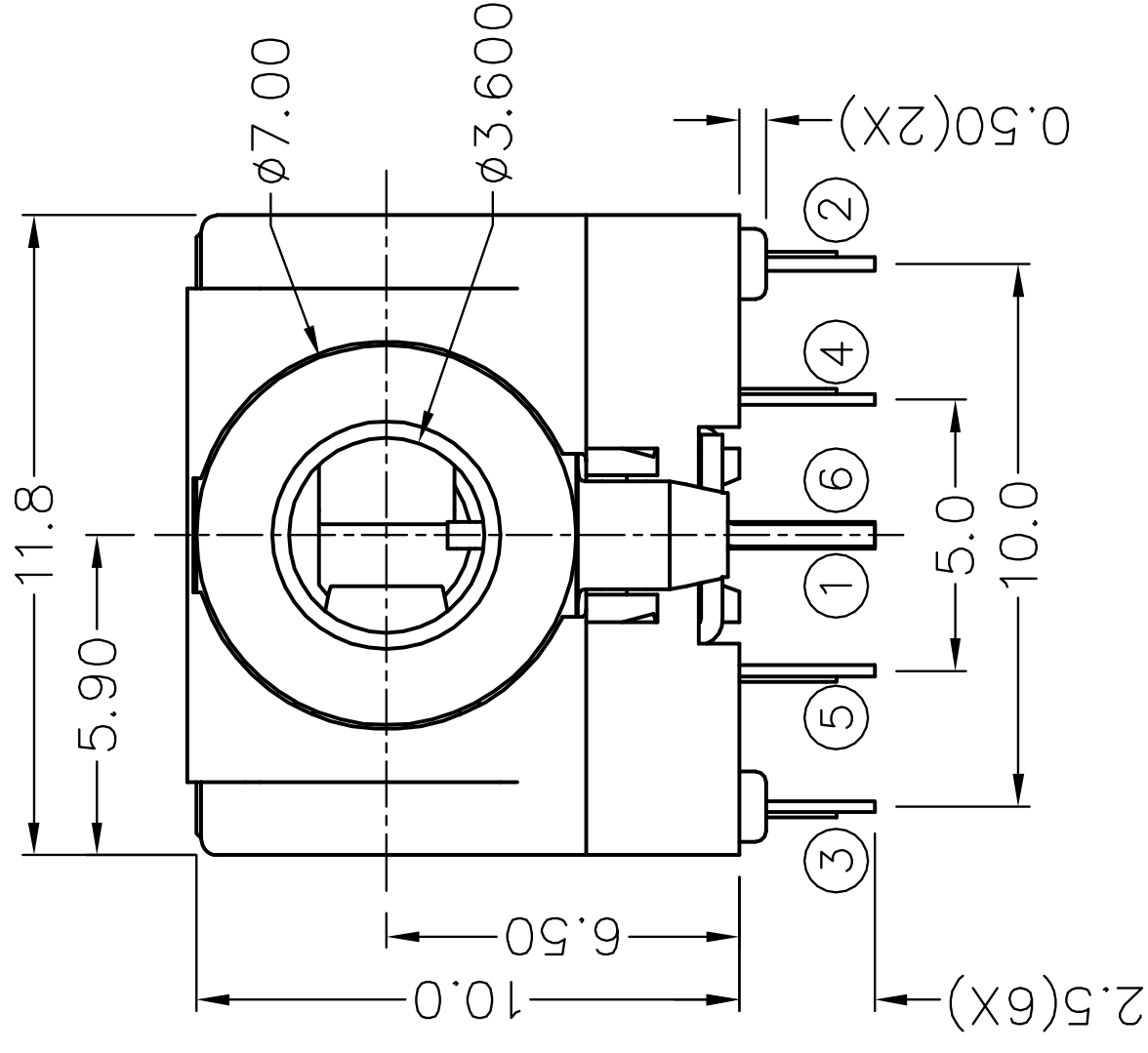
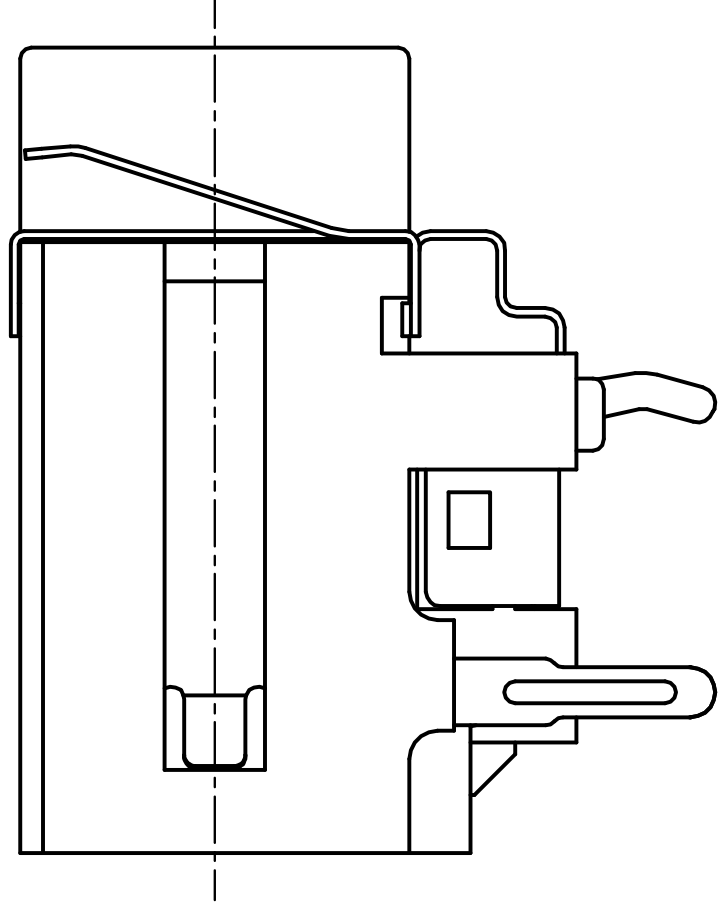
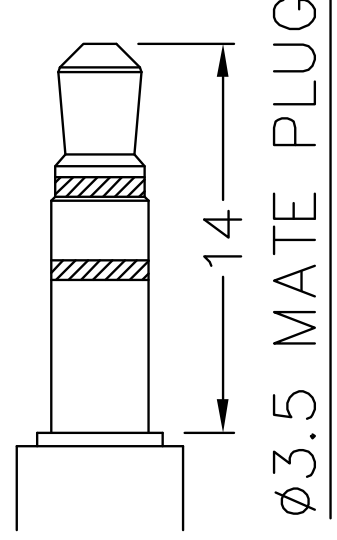
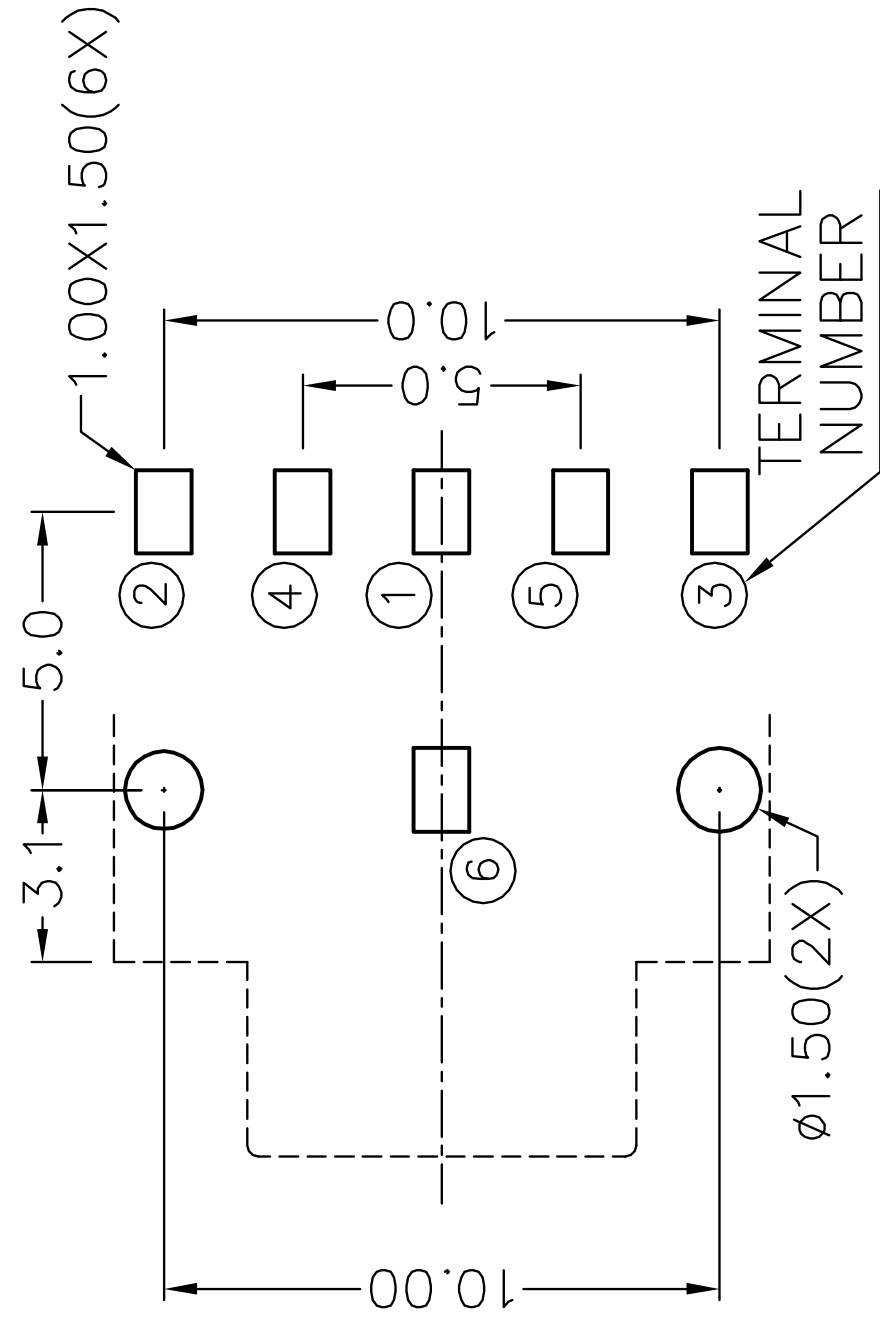
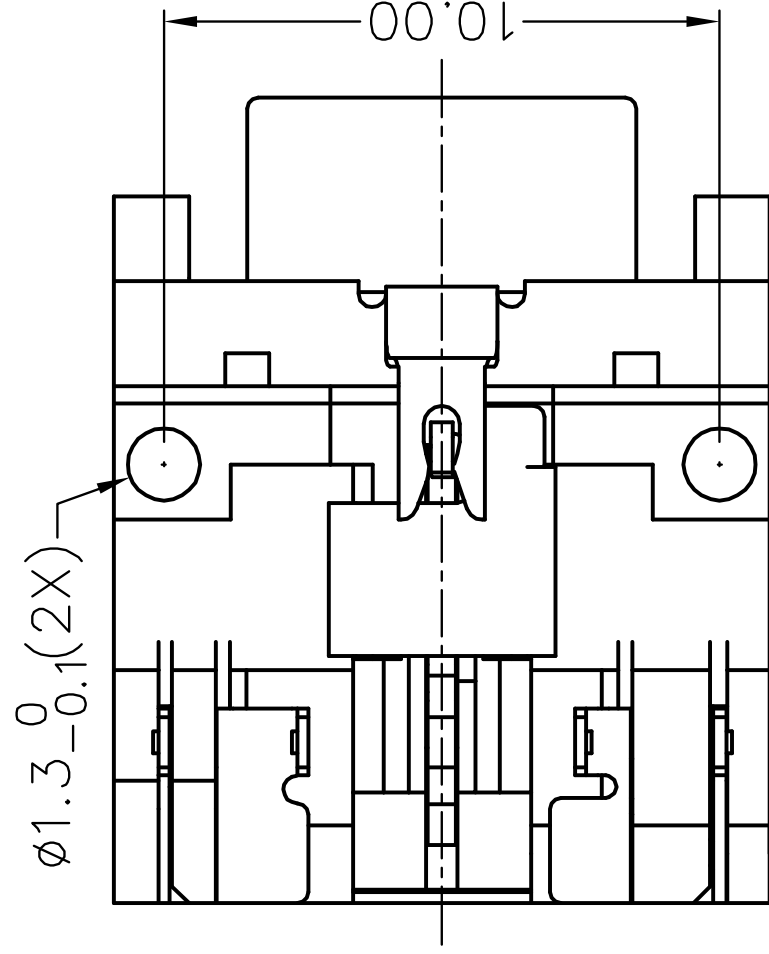


F**E****D****C****B****A**

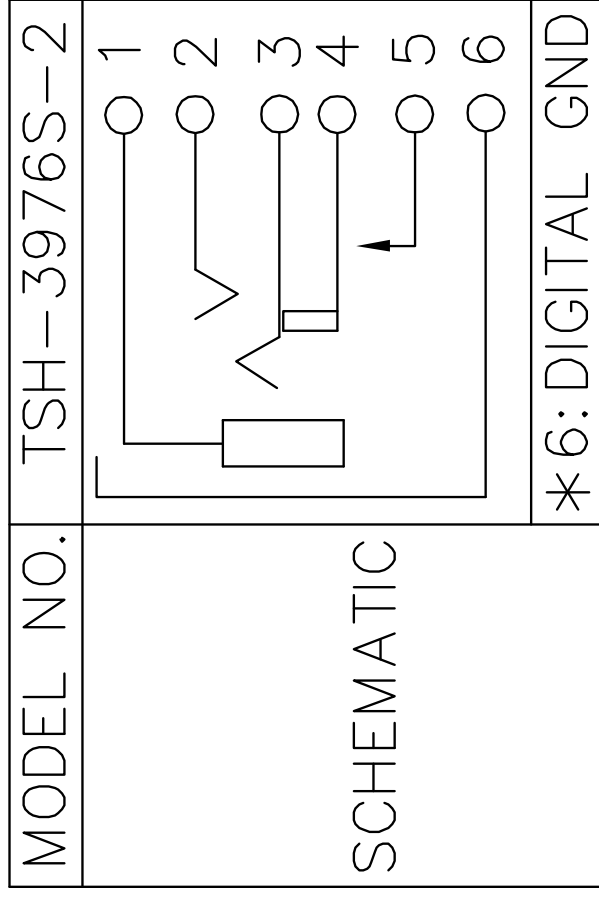
RoHS
Compliant

ZONE	SYMBOL	REVISION	APPROVAL	DATE

1**1****2****2****3****3****4****4**

*** MATERIAL**

TERMINAL 1 : BRASS
 TERMINAL 2 : COPPER ALLOY
 TERMINAL 3 : COPPER ALLOY
 TERMINAL 4 : COPPER ALLOY
 TERMINAL 5 : COPPER ALLOY
 TERMINAL 6 : BRASS
 SHIELD : STAINLESS STEEL
 HOUSING : PBT
 INSULATOR : PBT



JOYNet Enterprise Co., Ltd.

PART NAME 3.5mm STEREO JACK

PART NO. TSH-397S-2

TOLERANCE UNLESS 0.0±0.2
 OTHERWISE SPECIFIED: 0.00±0.1

UNIT: mm

DESIGN T.Y.LI
 DRAWING T.Y.LI
 CHECK
 APPROVAL

DATE 4-12-2006
 DATE 4-12-2006
 DATE
 DATE

SCALE 3:1
 MATERIAL *
 DWG. NO. TZ\SH397S-2-PBT/A
 SHEET

F**E****D****C****B****A**