

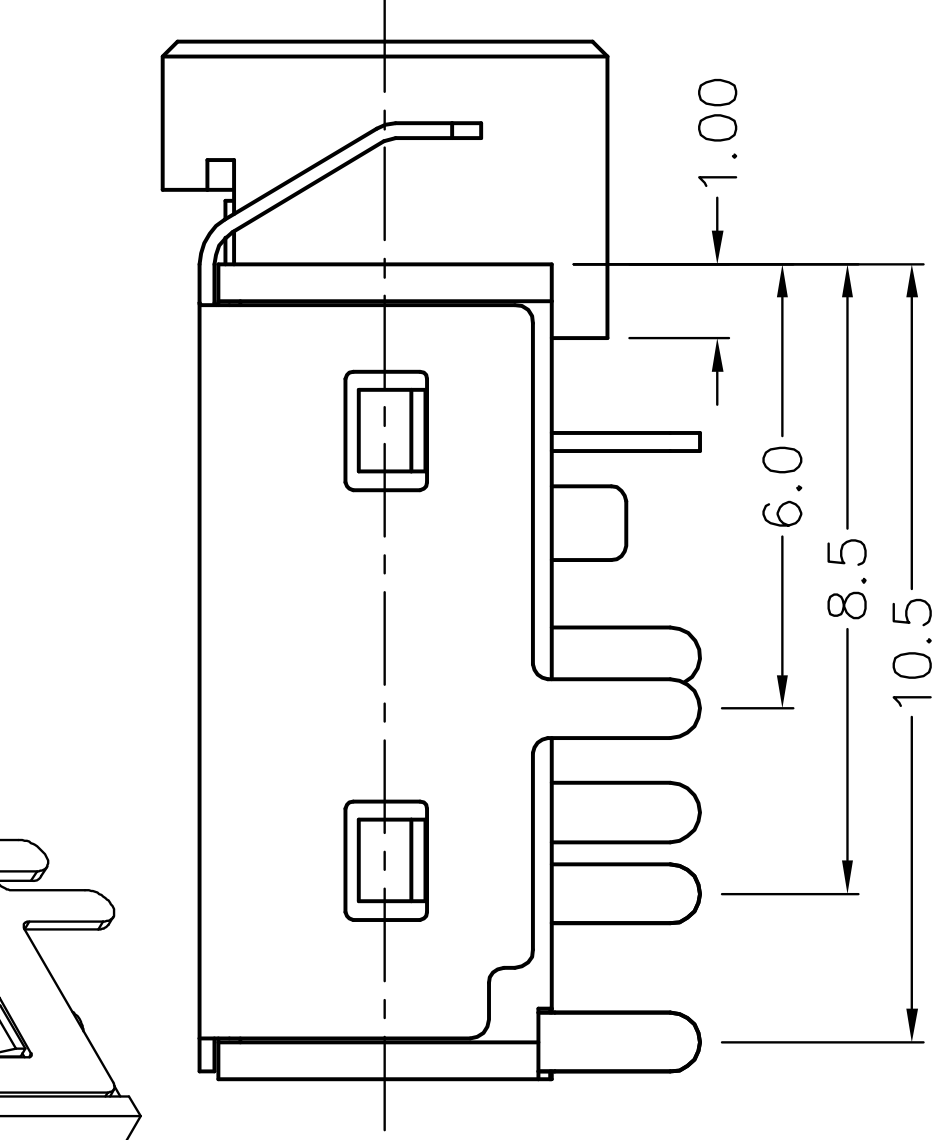
1

RoHS
Compliant

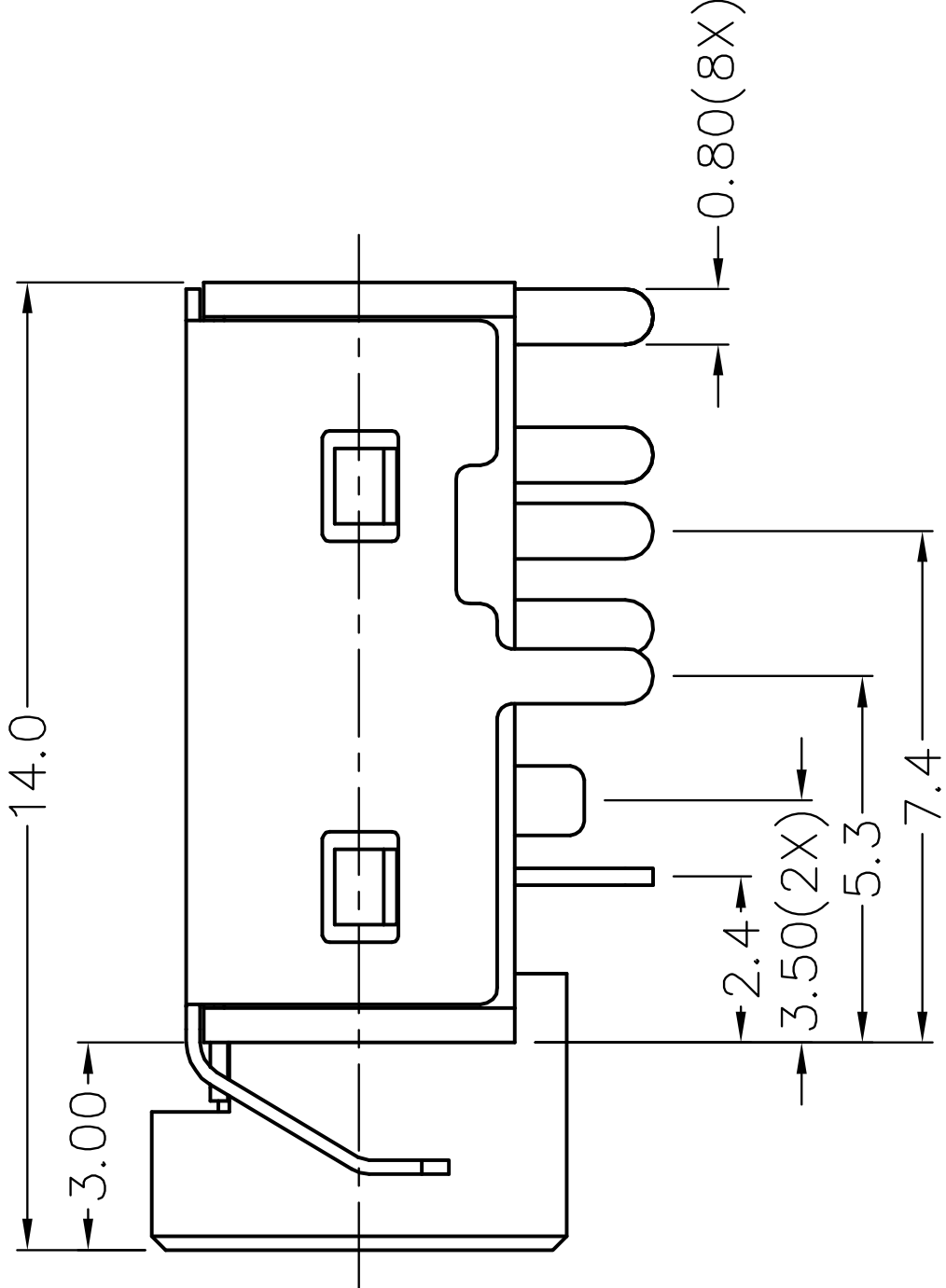
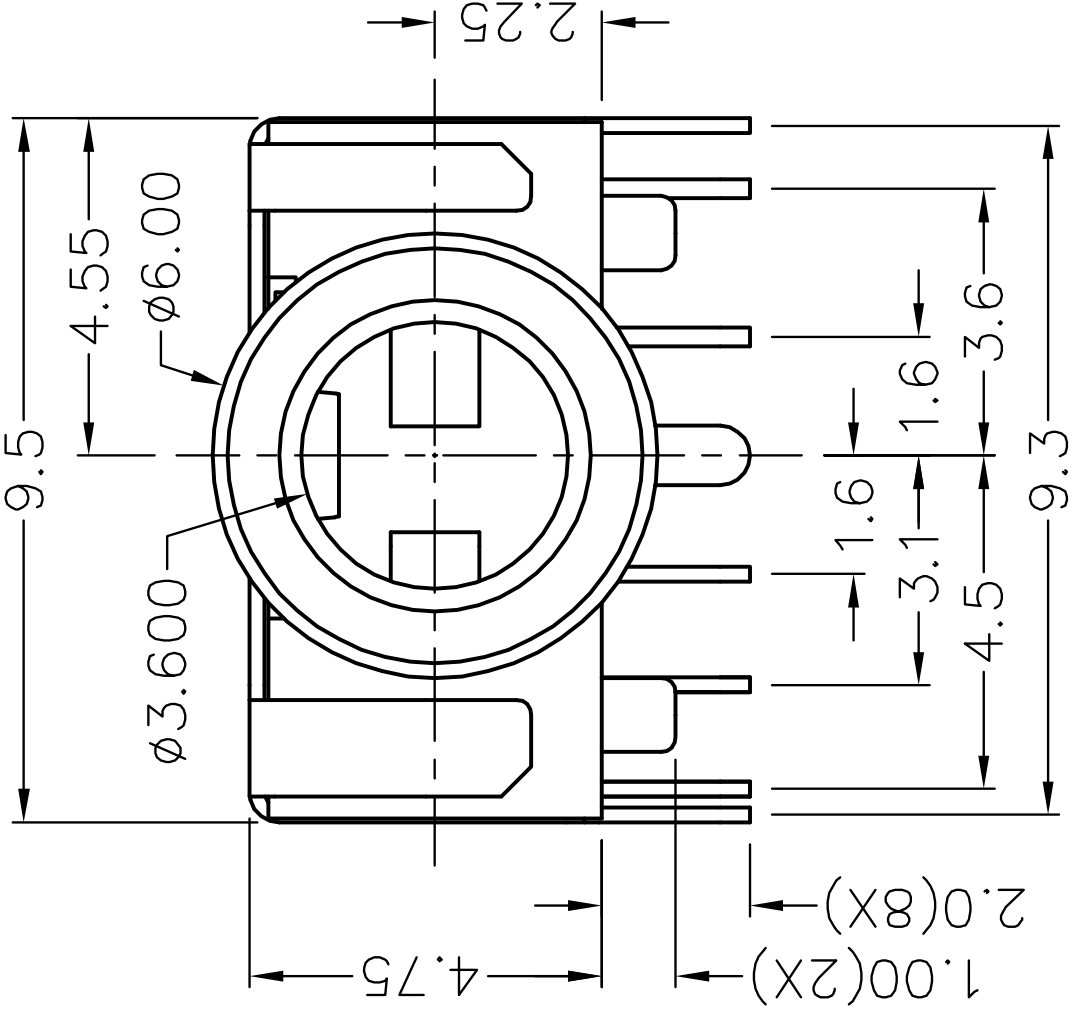
ZONE	SYMBOL

REVISION

APPROVAL DATE



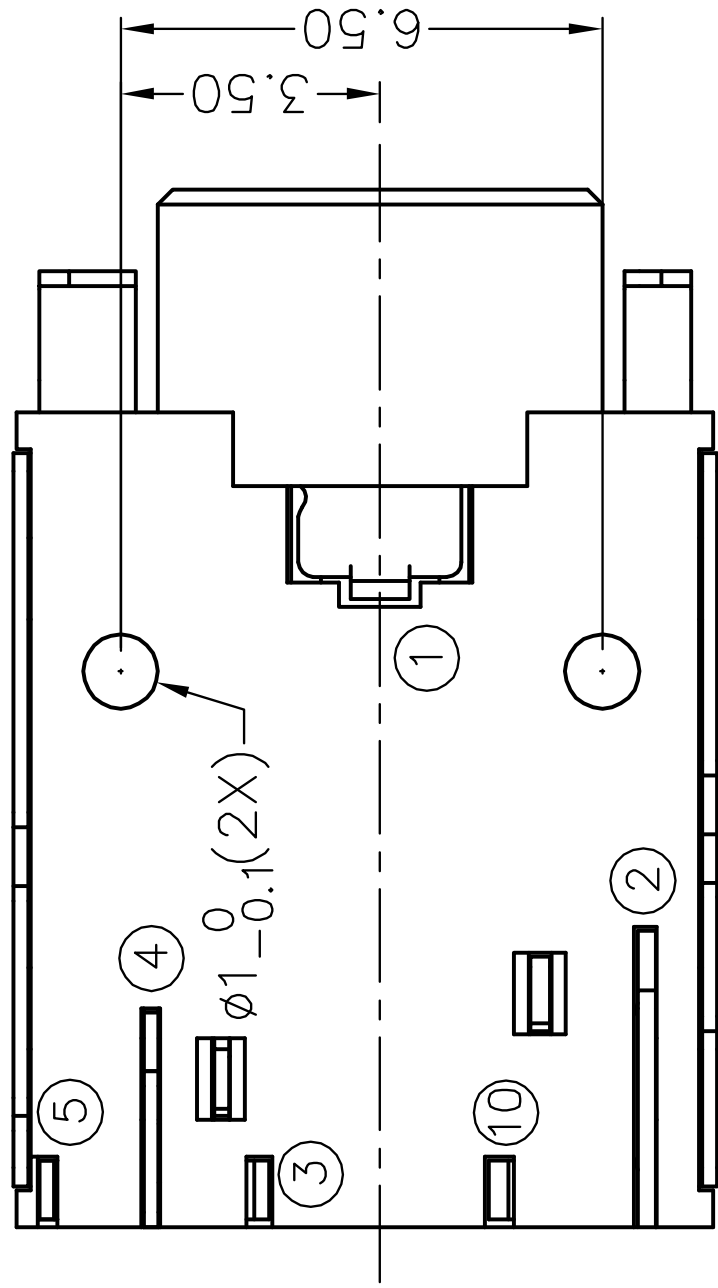
2



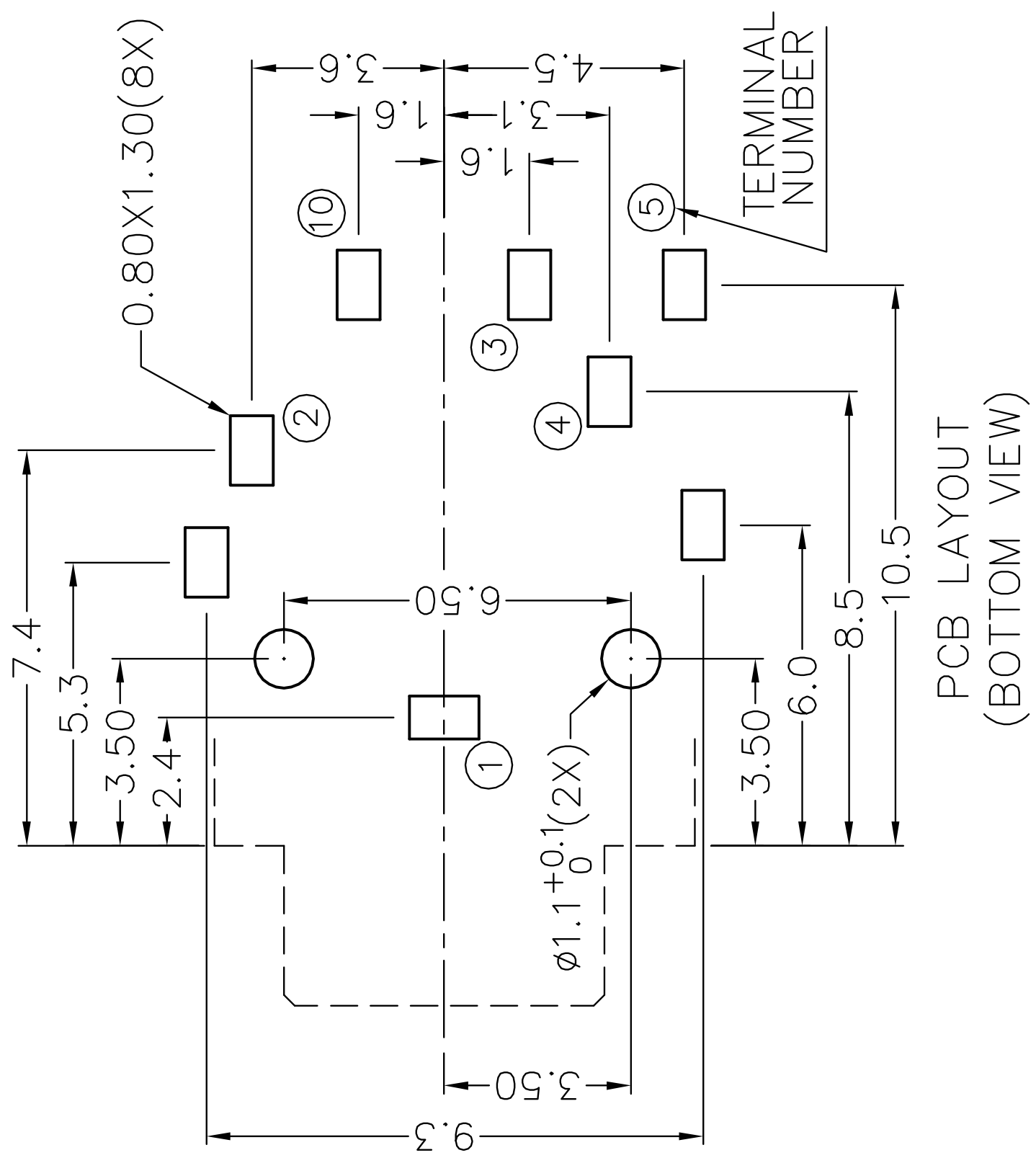
1

2

3

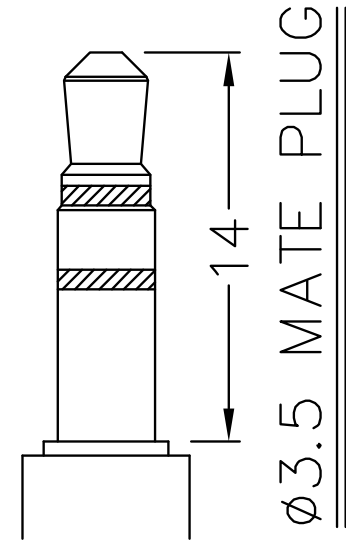


3



* MATERIAL

- TERMINAL 1 : COPPER ALLOY
- TERMINAL 2 : COPPER ALLOY
- TERMINAL 3 : COPPER ALLOY
- TERMINAL 4 : COPPER ALLOY
- TERMINAL 5 : COPPER ALLOY
- TERMINAL 10 : BRASS
- SHIELD : COPPER ALLOY
- HOUSING : PA66



ϕ3.5 MATE PLUG

MODEL NO.	TSH-3966S-2	TSH-3965S-2
SCHEMATIC		

4

4

JOYNet Enterprise Co., Ltd.

PART NAME 3.5mm STEREO JACK

PART NO. TSH-396S-2

TOLERANCE UNLESS 0.0±0.2

OTHERWISE SPECIFIED: 0.00±0.1 UNIT: mm

DESIGN G.P.YI DATE 23-10-2006 SCALE 4:1

DRAWING G.P.YI DATE 2-6-2008 MATERIAL *

CHECK DATE DATE DWG. NO. IZ\SH396S-2-PA66/A

APPROVAL DATE DATE SHEET