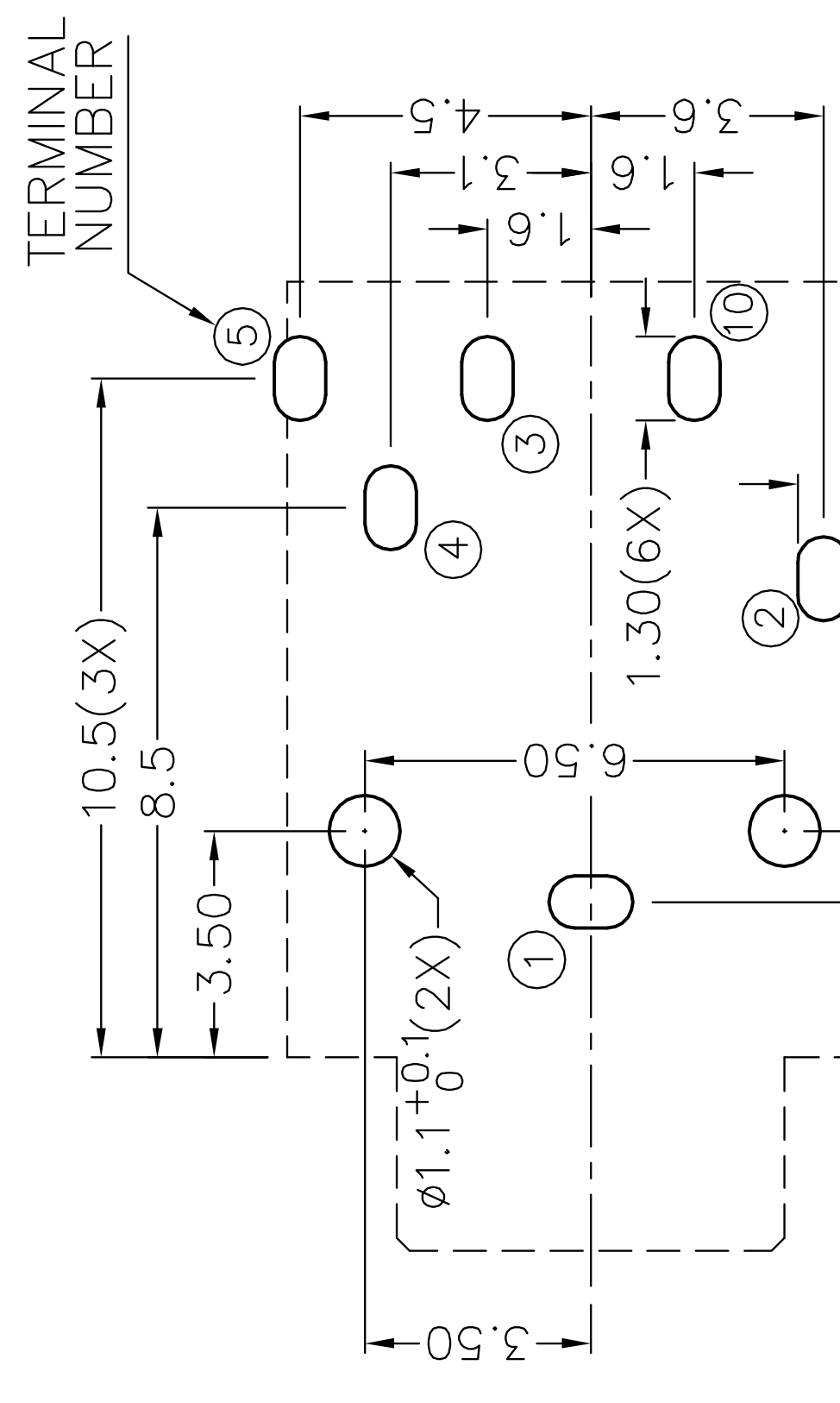
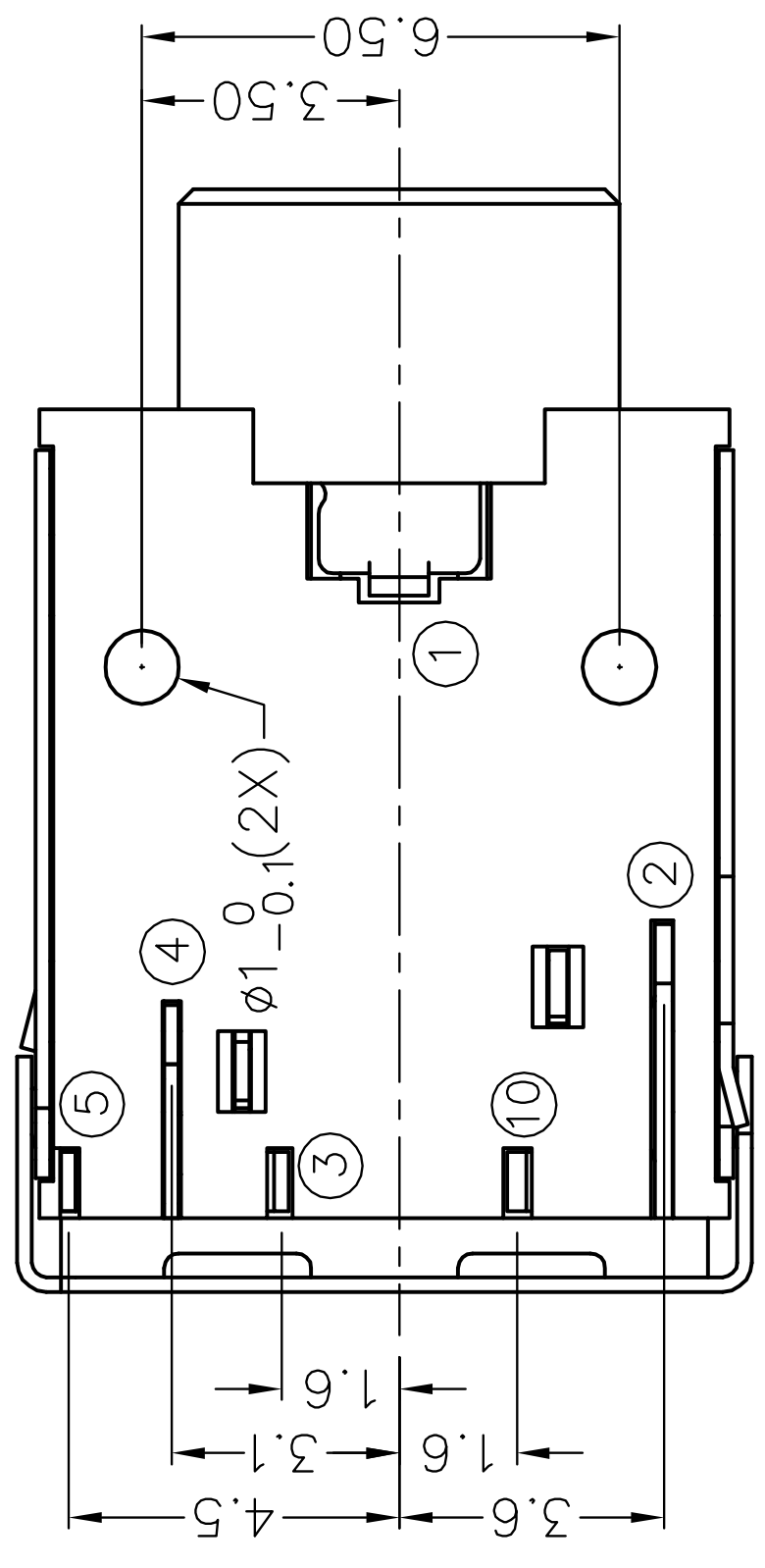
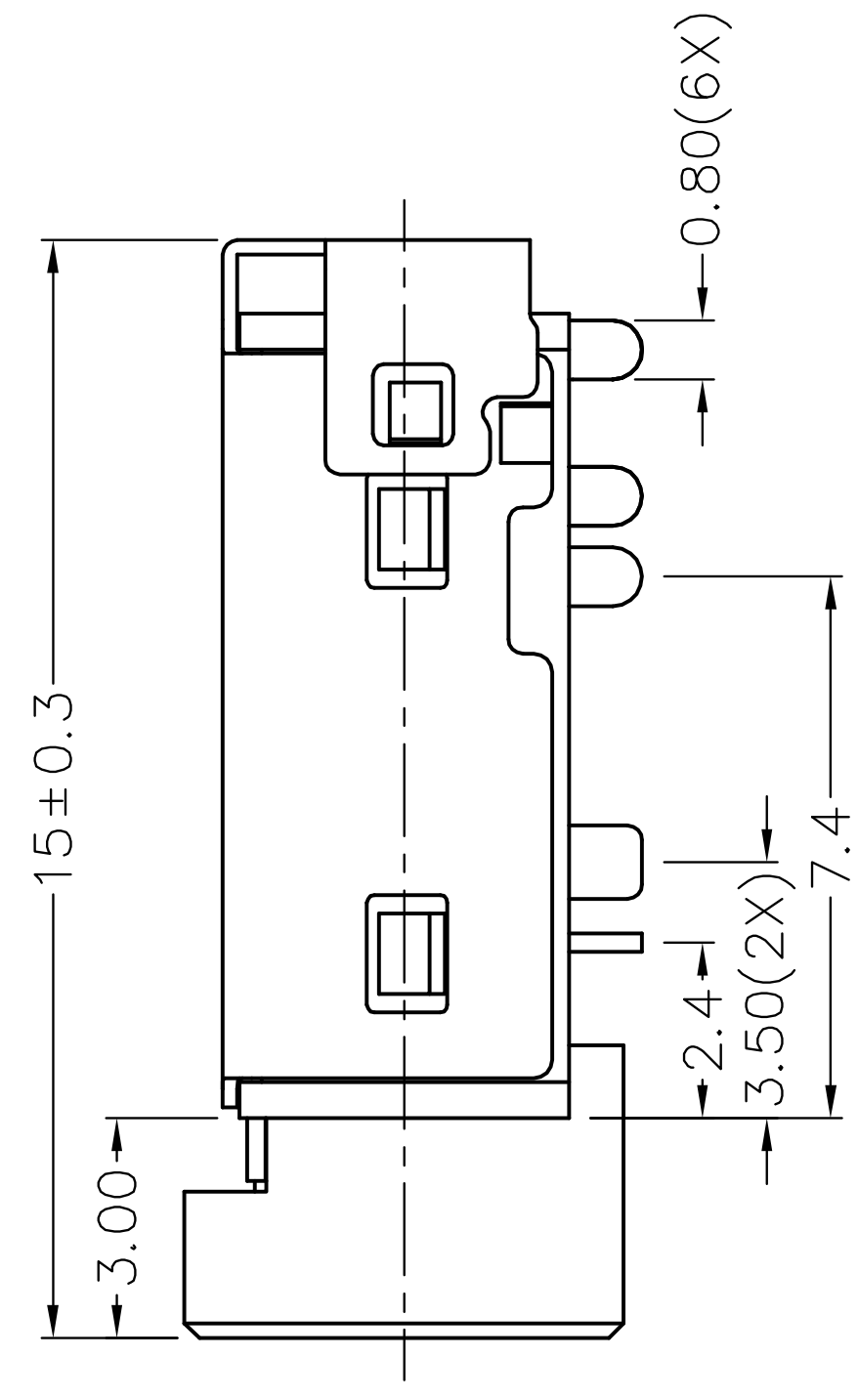
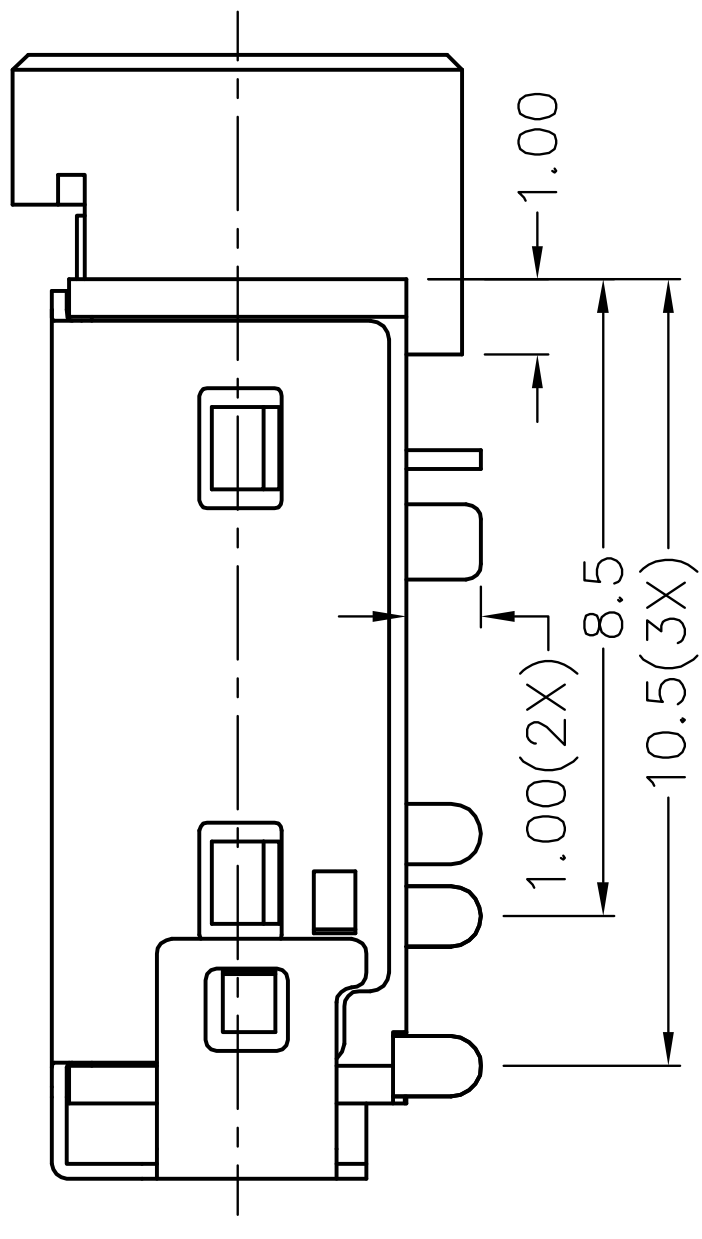
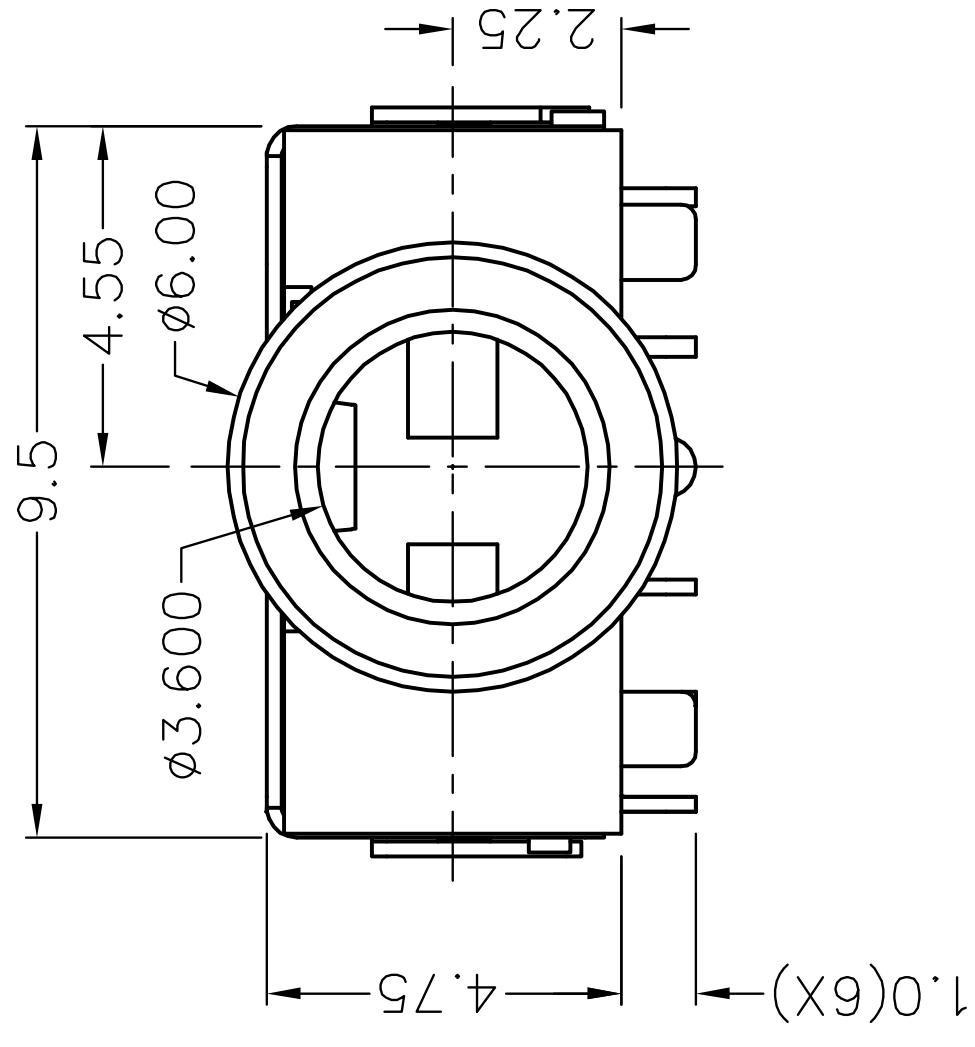
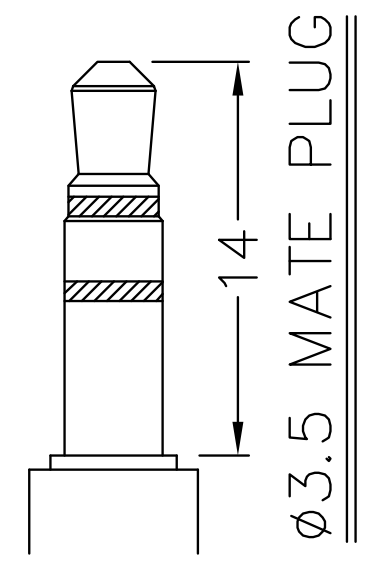


**RoHS**  
Compliant



\* MATERIAL

- TERMINAL 1 : COPPER ALLOY
- TERMINAL 2 : COPPER ALLOY
- TERMINAL 3 : COPPER ALLOY
- TERMINAL 4 : COPPER ALLOY
- TERMINAL 5 : COPPER ALLOY
- TERMINAL 10 : BRASS
- SHIELD : COPPER ALLOY
- HOUSING : PA6T



MODEL NO. TSH-3966S3-4	TSH-3965S3-4
SCHEMATIC	SCHEMATIC



PART NAME	3.5mm STEREO JACK
PART NO.	TSH-396S3-4

TOLERANCE UNLESS OTHERWISE SPECIFIED: 0.00±0.05	UNIT: mm
---	----------

DESIGN	H.L.TAN	DATE	10-6-2011	SCALE	4:1
DRAWING	H.L.TAN	DATE	10-6-2011	MATERIAL	*
CHECK		DATE		DWG. NO.	TZ\SH396S3-4-PA6T/A
APPROVAL		DATE		SHEET	