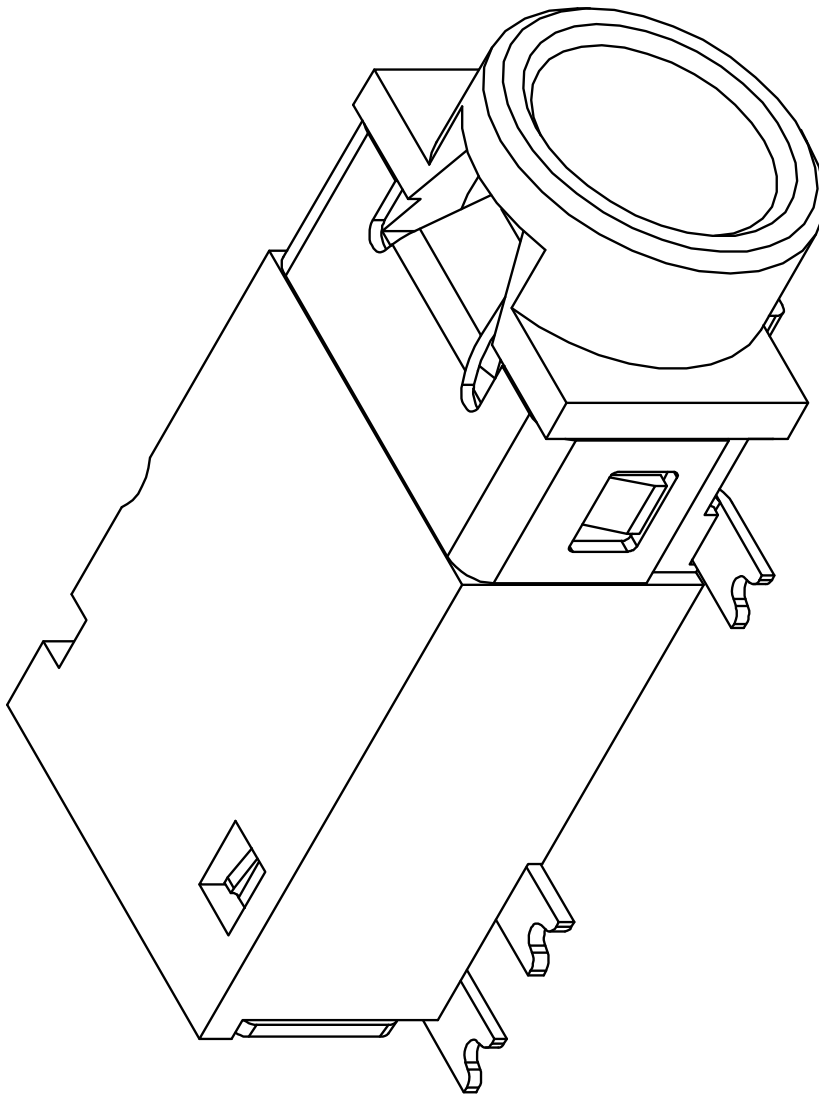
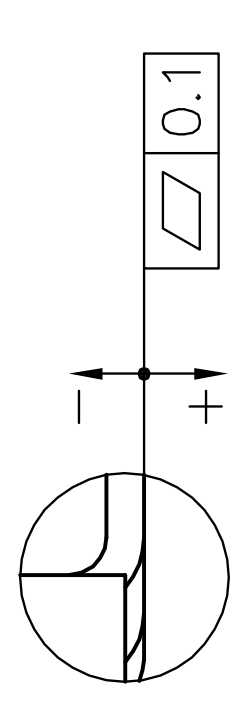
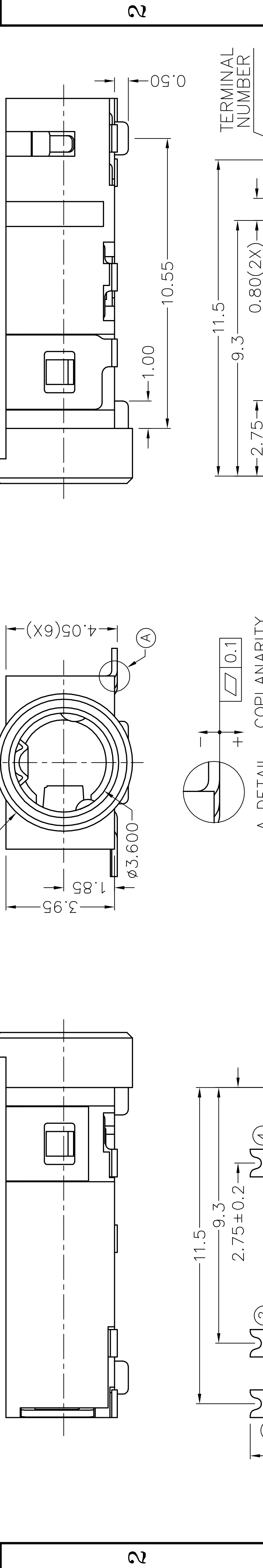
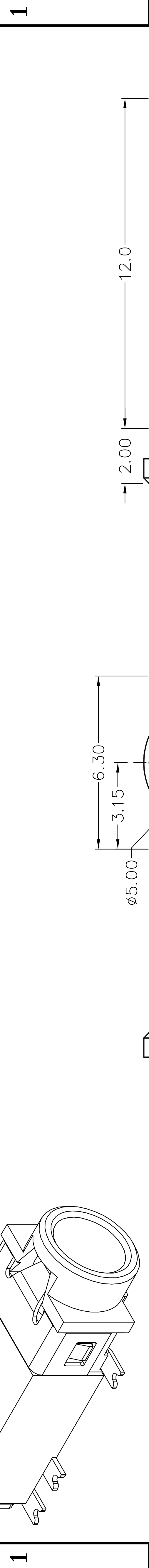


F		E		D		C		B		A	
						ZONE SYMBOL ADD SCHEMATIC		REVISION ADD SCHEMATIC		APPROVAL J.X.KUANG 13-2-2009	
						DATE					

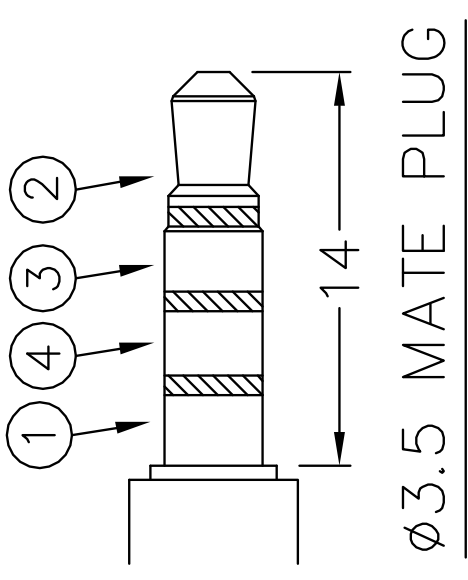
RoHS
Compliant



* MATERIAL

TERMINAL 1 : COPPER ALLOY
 TERMINAL 2 : COPPER ALLOY
 TERMINAL 3 : COPPER ALLOY
 TERMINAL 4 : COPPER ALLOY
 TERMINAL 10: COPPER ALLOY
 TERMINAL 11: COPPER ALLOY
 HOUSING : PA6T

MODEL NO.	TSH-3956D	TSH-3955AD	TSH-3955BD	TSH-3954D	TSH-3953D
SCHEMATIC					



JOYNet Enterprise Co., Ltd.						DESIGN T.Y.LI		DATE 29-9-2006		SCALE 5:1	
						DRAWING T.Y.LI		DATE 13-2-2009		MATERIAL *	
PART NAME 3.5mm SMD STEREO JACK		TOLERANCE UNLESS 0.0±0.2 0.00±0.1 OTHERWISE SPECIFIED: 0.000±0.05 mm		CHECK APPROVAL		DWG. NO. TZ\SH395D-PA6T/C					
PART NO. TSH-395D		UNIT: mm		SHEET		DATE					