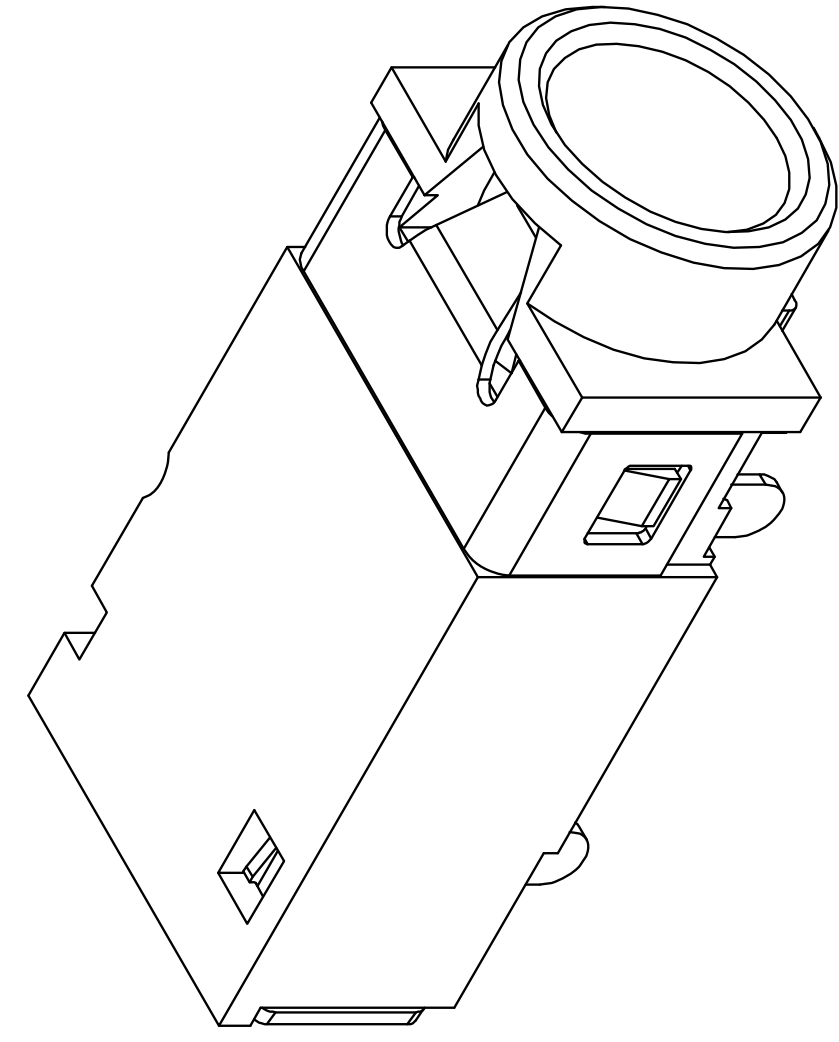
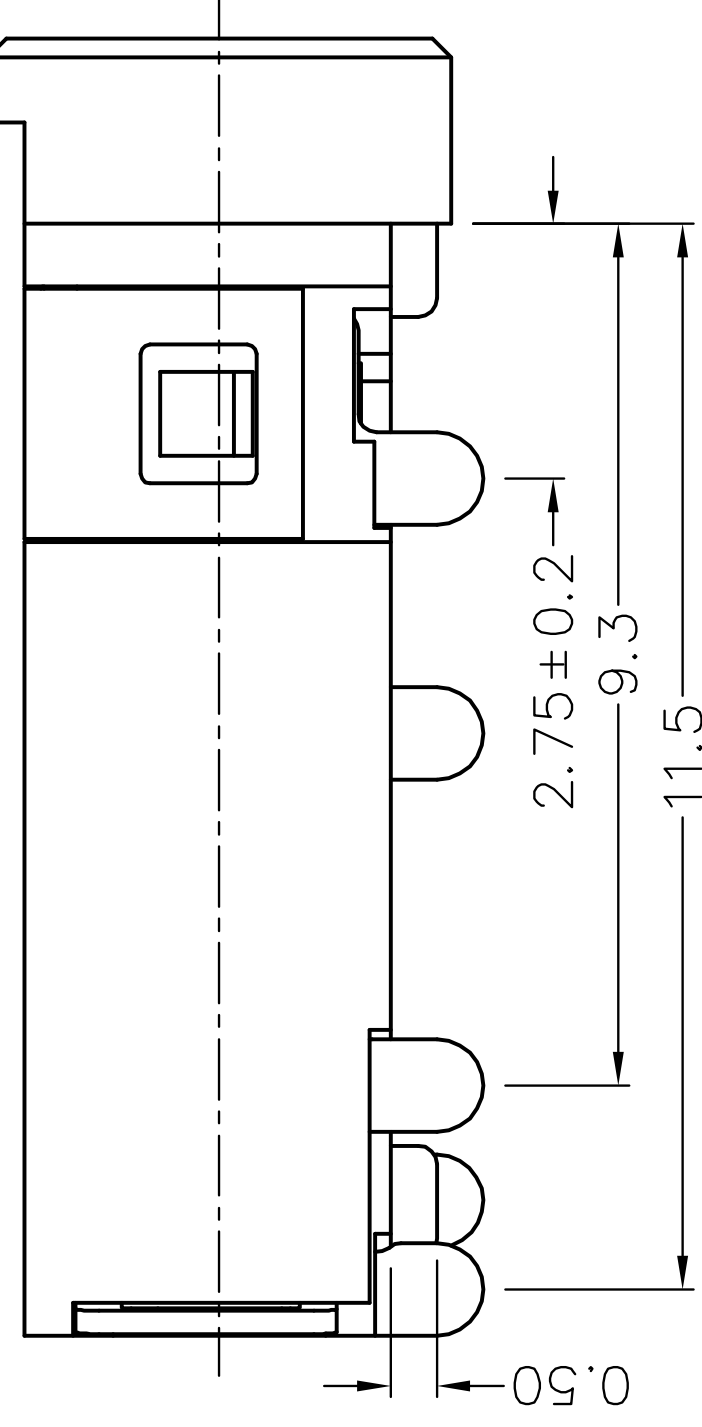
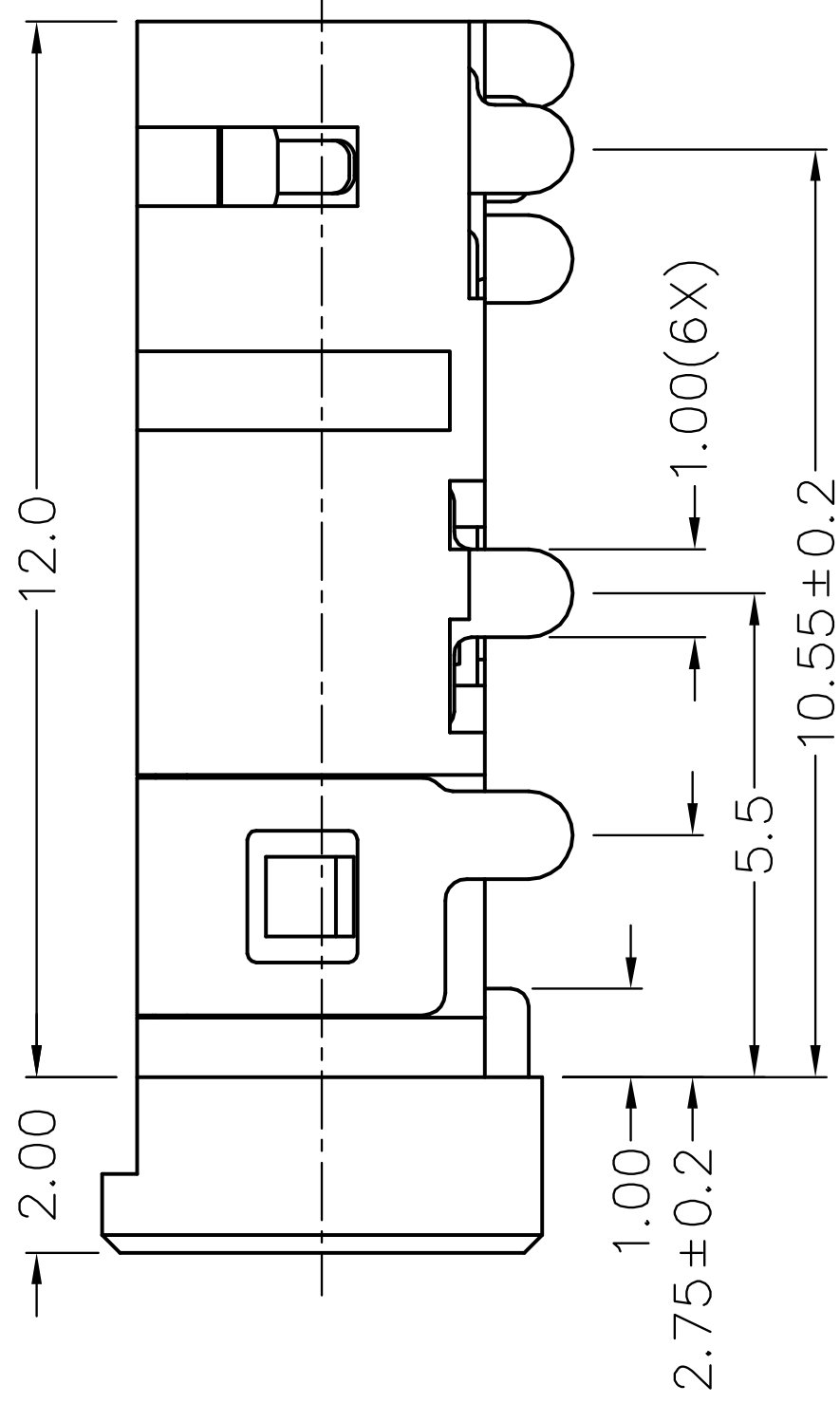
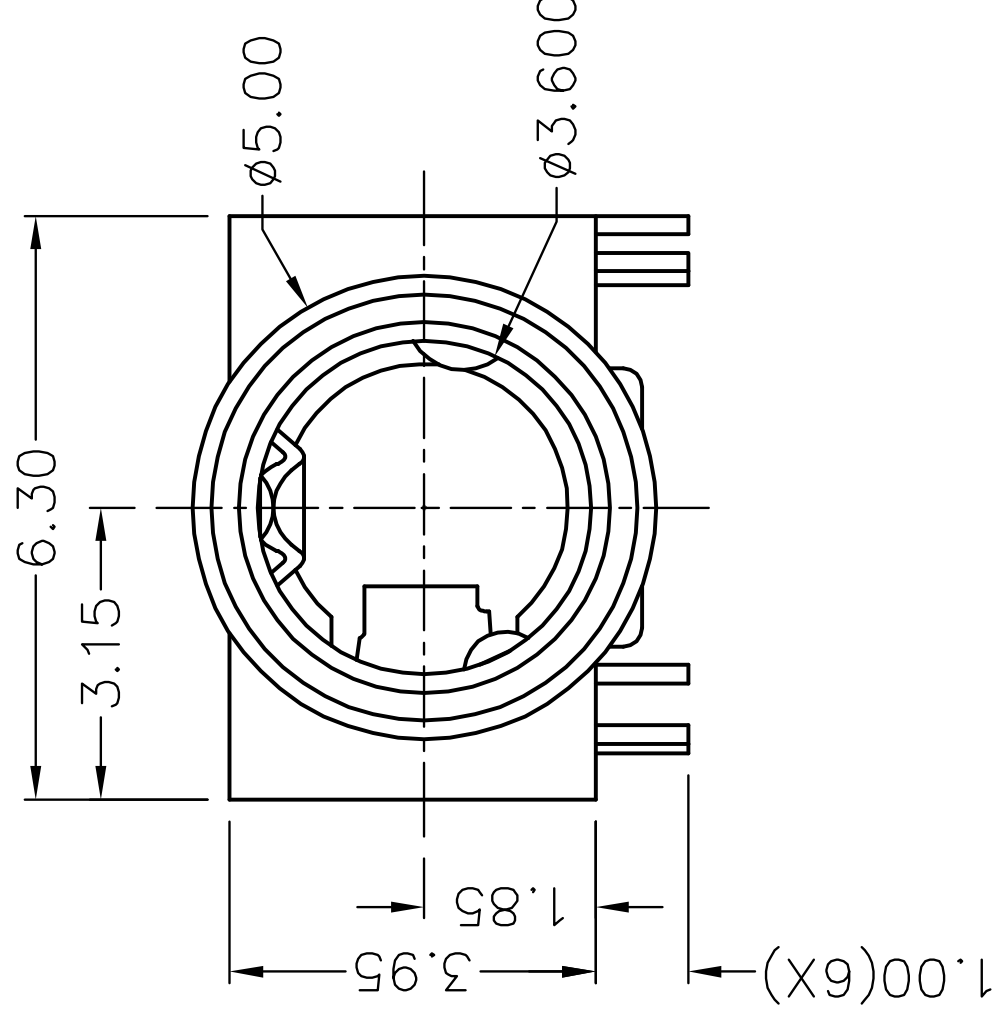
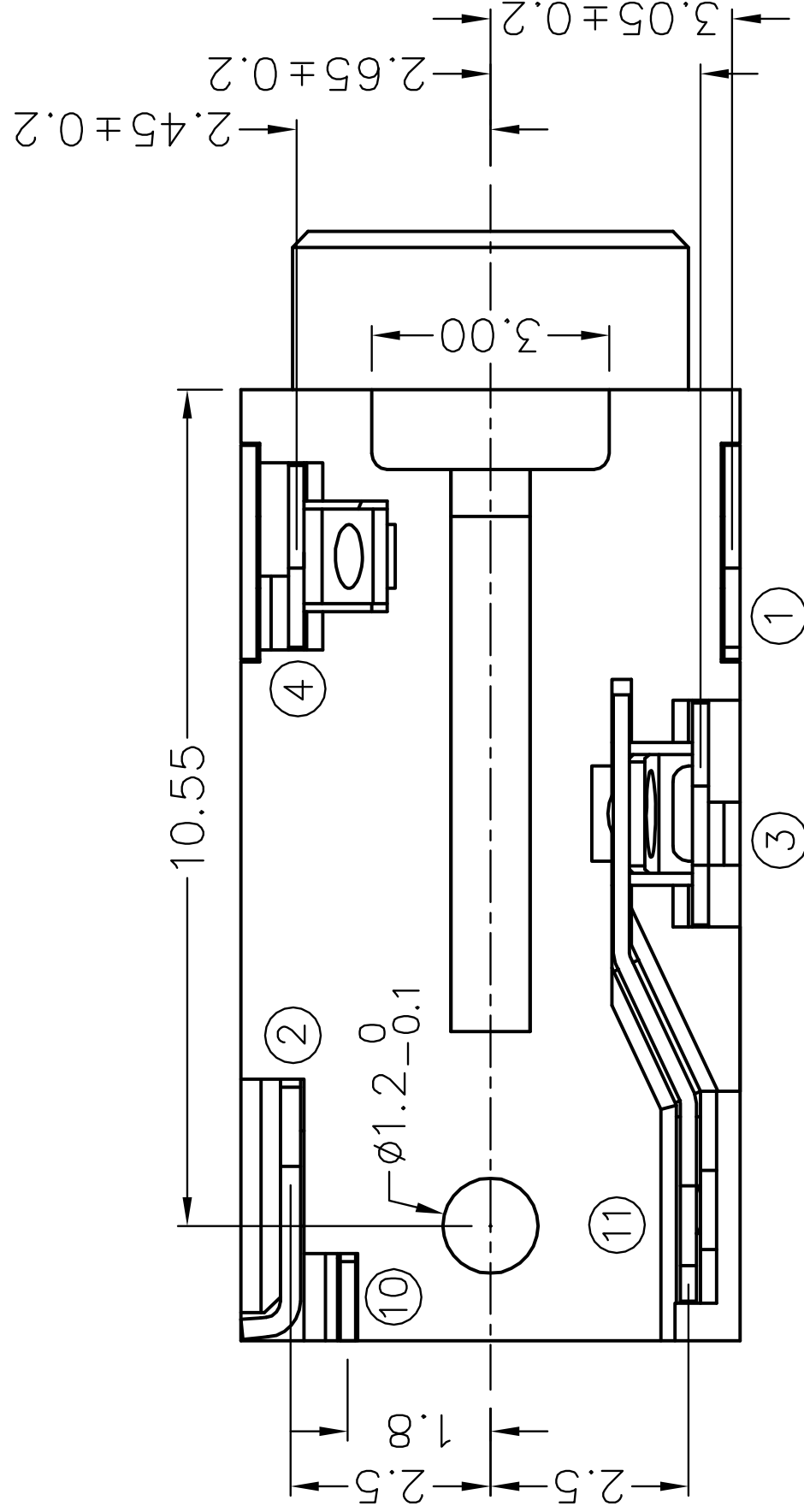


F**E****D****C****B****A**

RoHS
Compliant

ZONE	SYMBOL

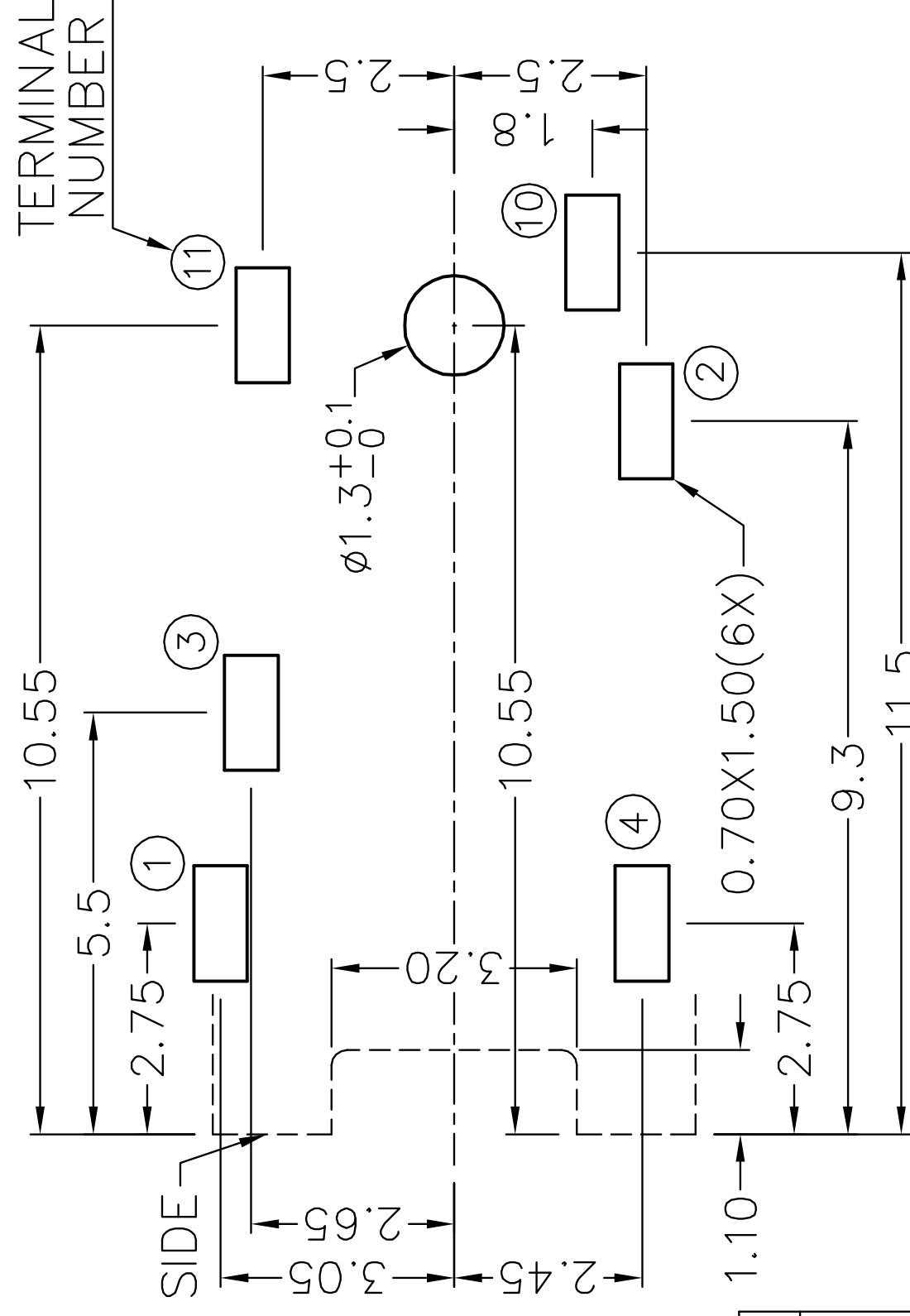
REVISION	APPROVAL	DATE

1**2****1****2****3**

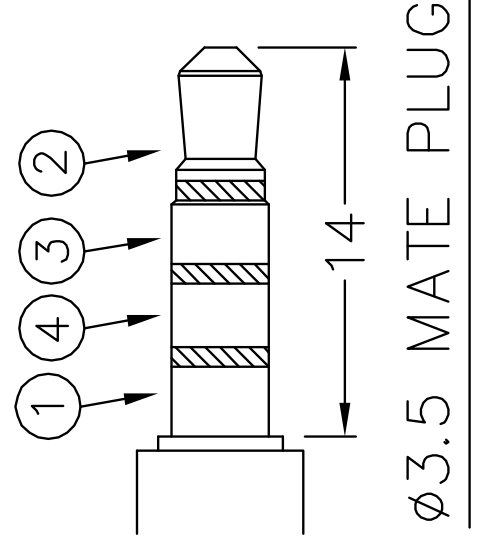
P.C.B LAYOUT SIDE

* MATERIAL

TERMINAL 1 : COPPER ALLOY
 TERMINAL 2 : COPPER ALLOY
 TERMINAL 3 : COPPER ALLOY
 TERMINAL 4 : COPPER ALLOY
 TERMINAL 10 : COPPER ALLOY
 TERMINAL 11 : COPPER ALLOY
 HOUSING : PA6T



P.C.B LAYOUT
(BOTTOM VIEW)



3.5mm MATE PLUG

MODEL NO.	TSH-3956-2	TSH-3955A-2	TSH-3955B-2	TSH-3954-2
SCHEMATIC				

3**4**

JOYNet Enterprise Co., Ltd.

DESIGN	T.Y.LI	DATE	28-11-2007	SCALE	5:1
DRAWING	T.Y.LI	DATE	28-11-2007	MATERIAL	*
CHECK		DATE		DWG. NO.	TZ\SH395-2-PA6T/A
APPROVAL		DATE		SHEET	

PART NAME 3.5mm STEREO JACK

TOLERANCE UNLESS 0.0±0.2

UNIT: mm

PART NO. TSH-395-2

OTHERWISE SPECIFIED: 0.000±0.05

F**E****D****C****B****A**