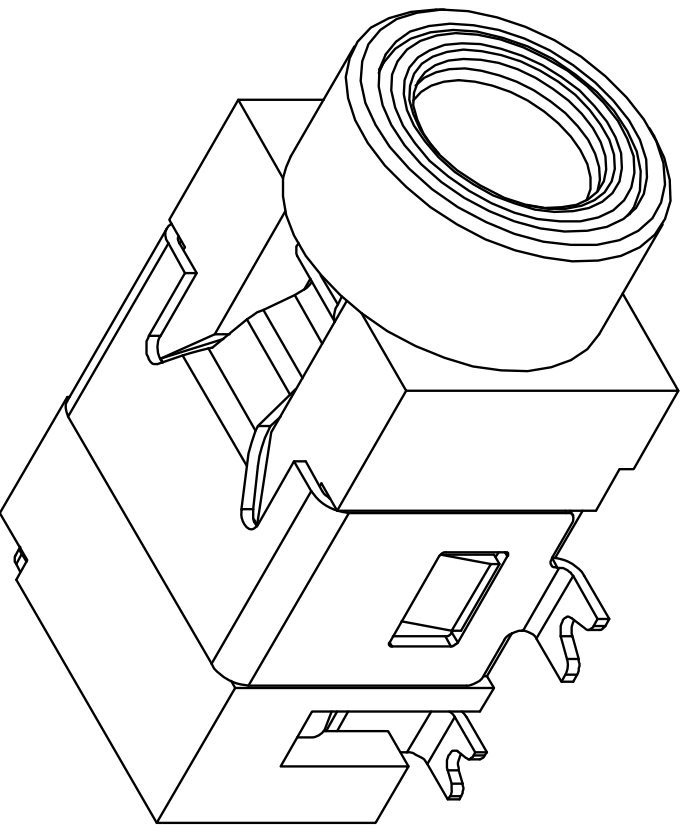
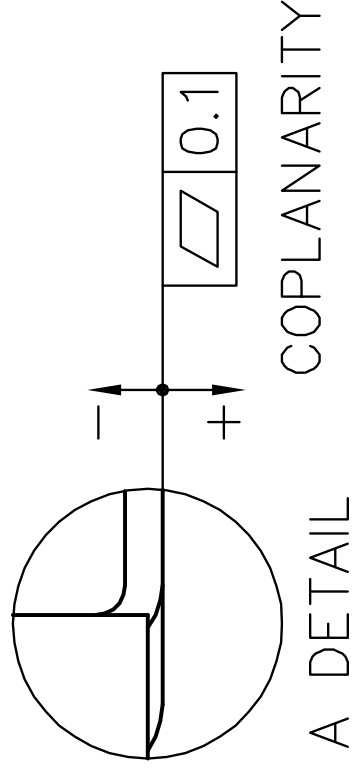
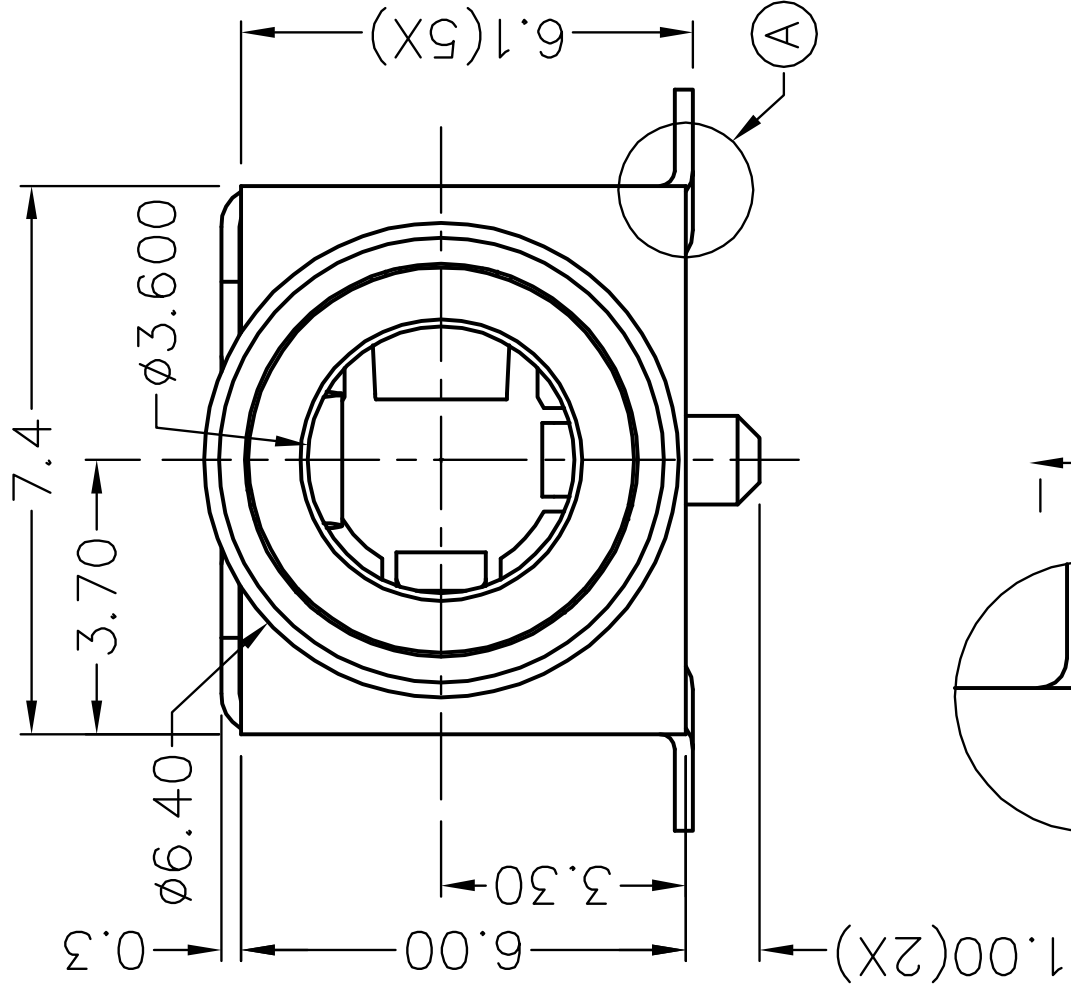


**F****E****D****C****B****A**

**RoHS**  
Compliant

ZONE SYMBOL	
ADDED INDICATION OF COPLANARITY	J.X.KUANG
APPROVAL DATE	1-12-2008

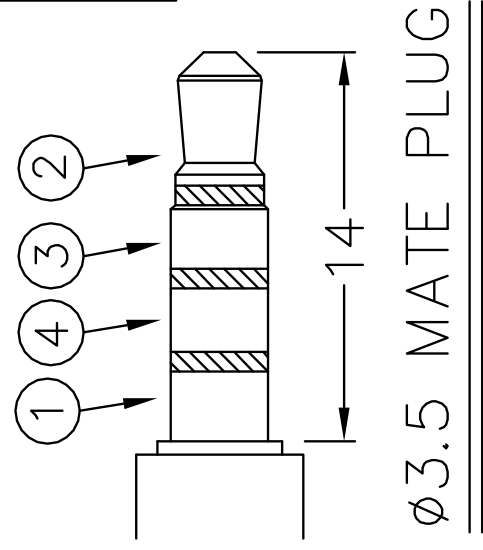
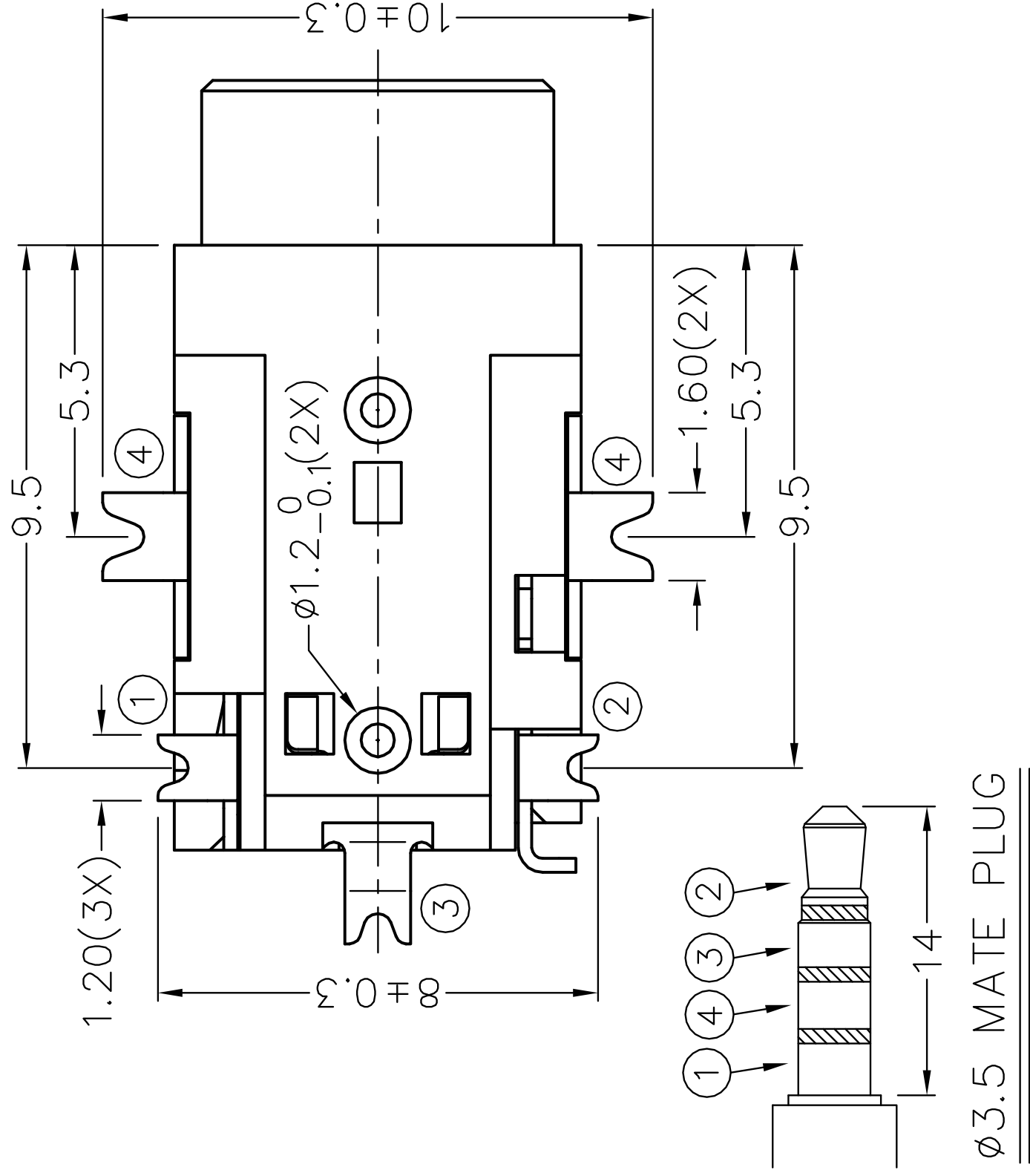
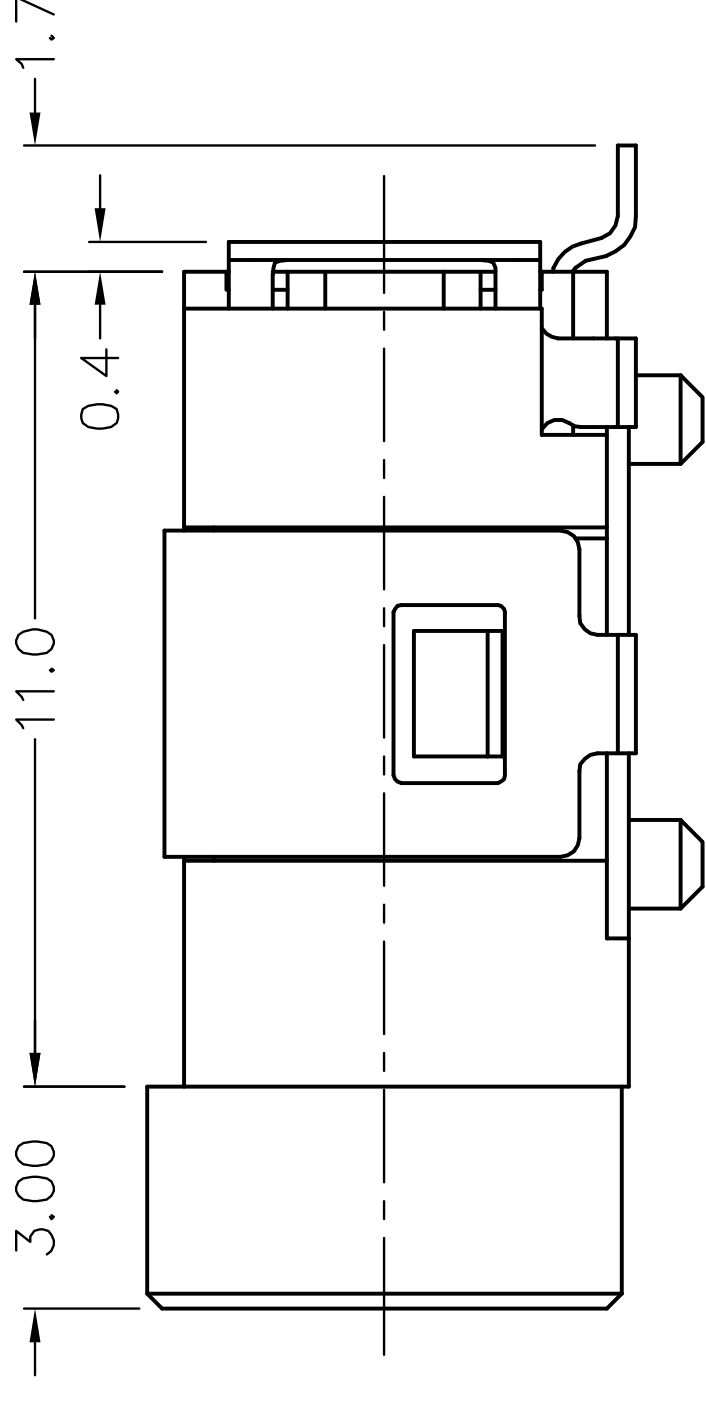
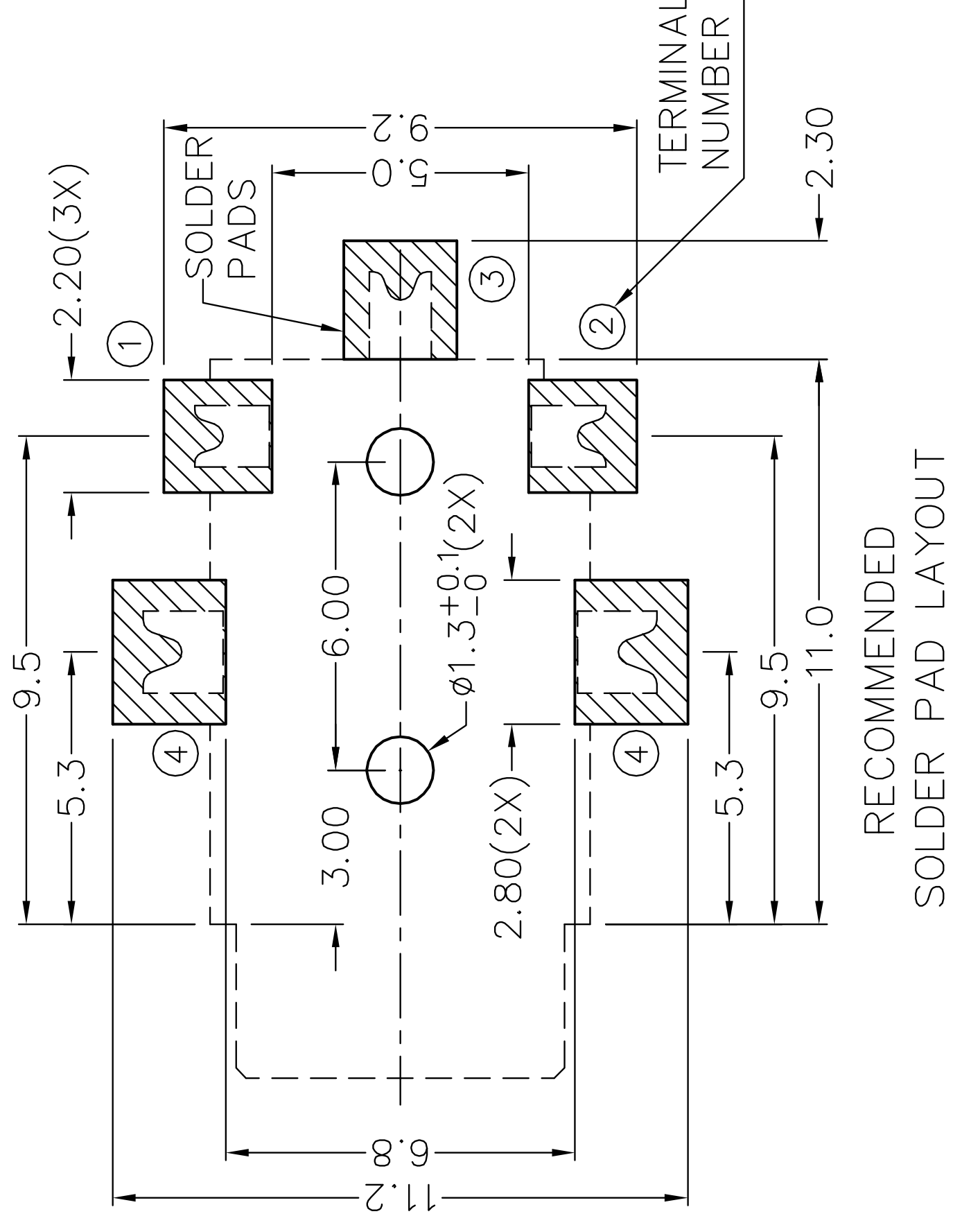
REVISION	
APPROVAL DATE	1-12-2008

**1**

**\* MATERIAL**

TERMINAL 1 : COPPER ALLOY  
 TERMINAL 2 : COPPER ALLOY  
 TERMINAL 3 : COPPER ALLOY  
 TERMINAL 4 : COPPER ALLOY  
 BUSHING : BRASS  
 HOUSING : PA6T

MODEL NO.	TSH-3944DM	TSH-3943DM
SCHEMATIC		

**1****2****3****4**

**JOYNet Enterprise Co., Ltd.**

DESIGN	T.Y.LI	DATE	10-10-2006	SCALE	4:1
DRAWING	T.Y.LI	DATE	1-12-2008	MATERIAL	*
CHECK		DATE		DWG. NO.	TZ\SH394DM-PA6T/C
APPROVAL		DATE		SHEET	

PART NAME	3.5mm SMD STEREO JACK	TOLERANCE UNLESS	0.0±0.2	UNIT:	mm
PART NO.	TSH-394DM	OTHERWISE SPECIFIED:	0.00±0.1		

**F****E****D****C****B****A**