

F

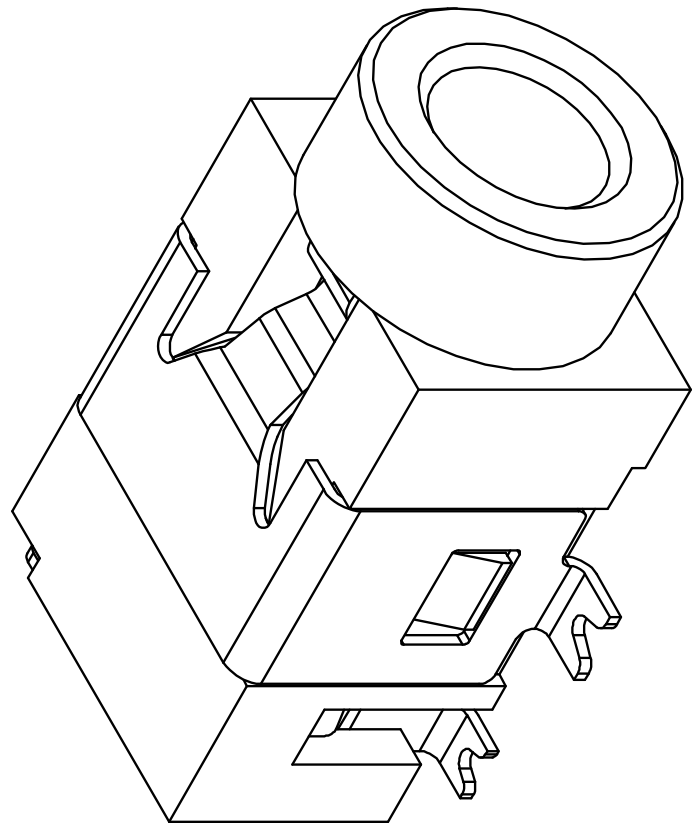
E

D

C

B

A



RoHS
Compliant

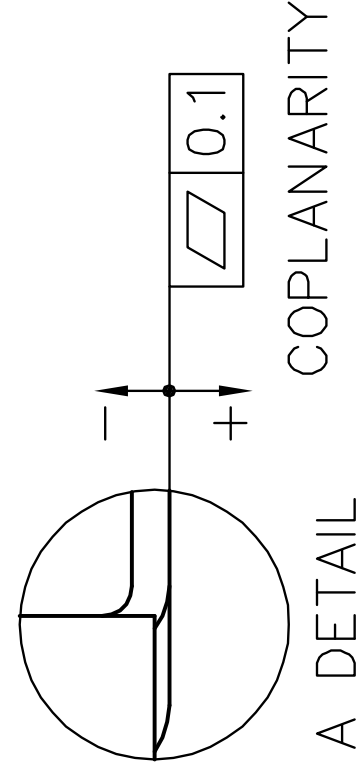
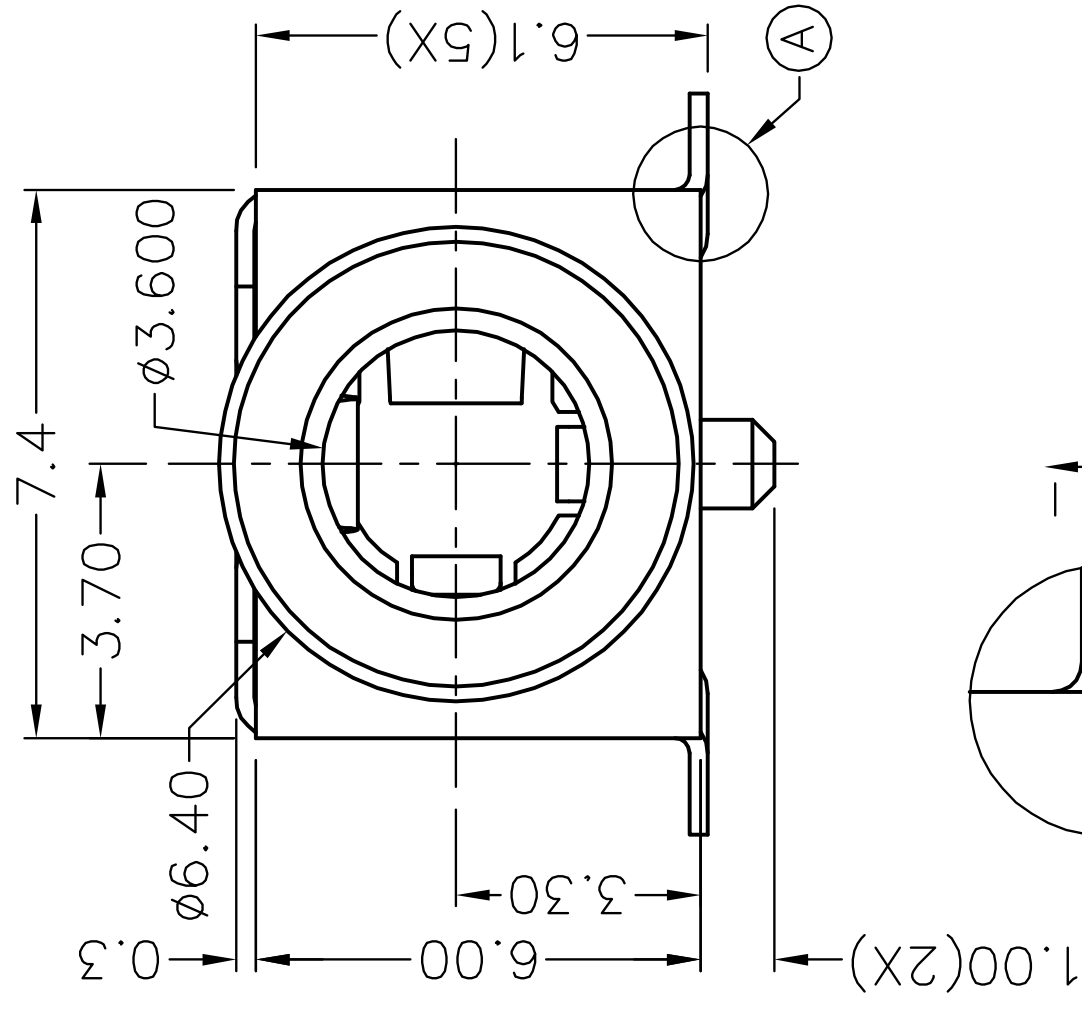
ZONE	SYMBOL

ADDED INDICATION OF COPLANARITY
J.X.KUANG

APPROVAL DATE
1-12-2008

1

1



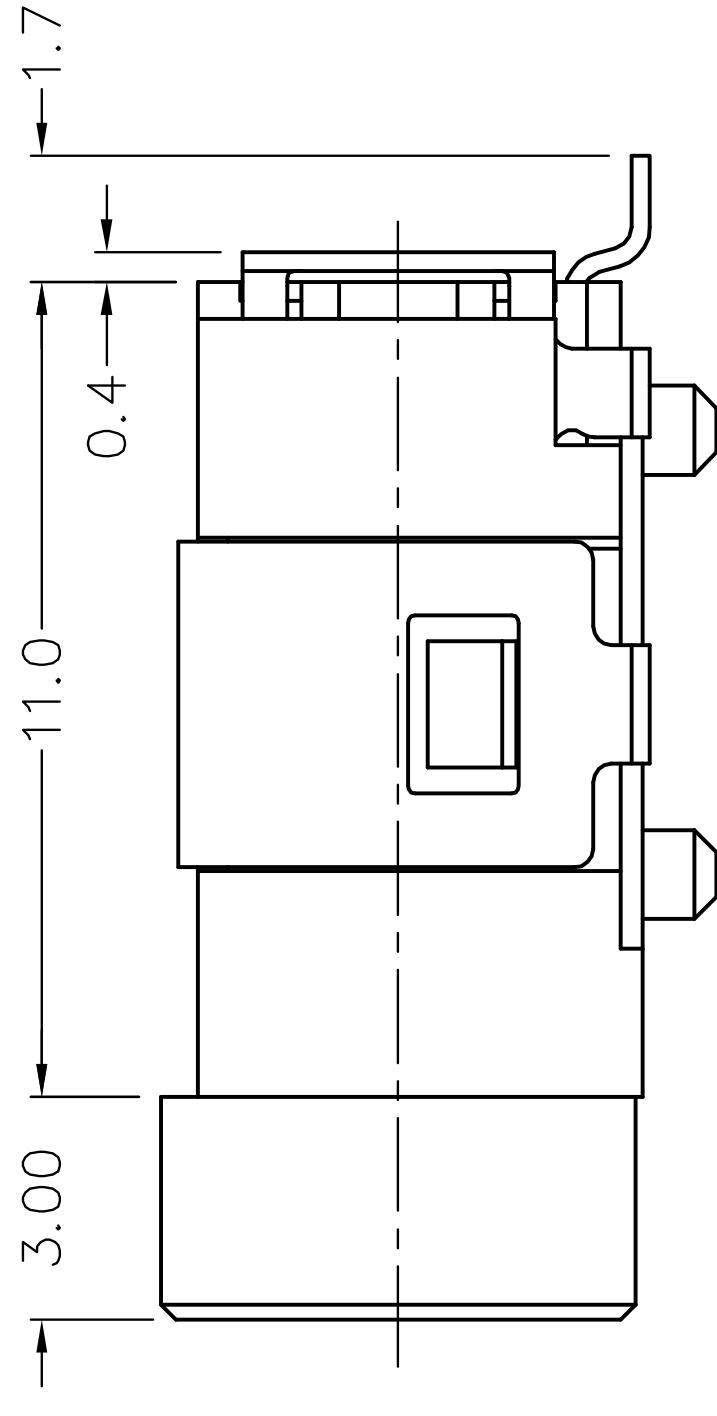
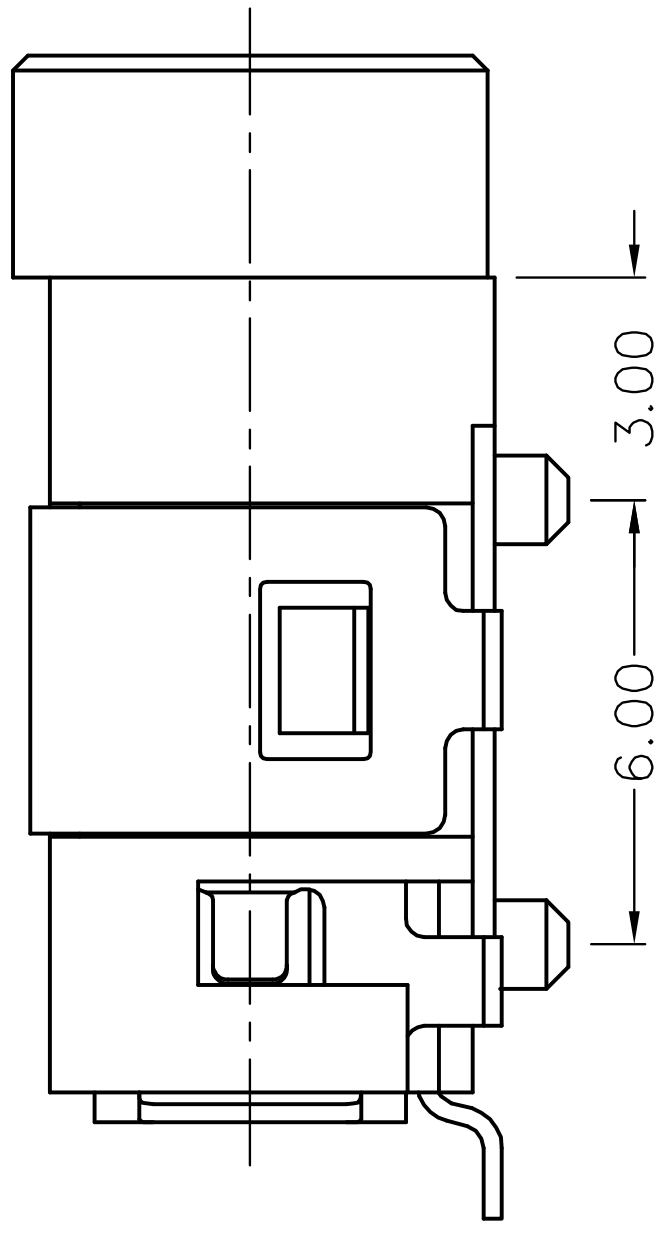
*** MATERIAL**

- TERMINAL 1 : COPPER ALLOY
- TERMINAL 2 : COPPER ALLOY
- TERMINAL 3 : COPPER ALLOY
- TERMINAL 4 : COPPER ALLOY
- HOUSING : PA6T

MODEL NO.	TSH-3944D
SCHEMATIC	

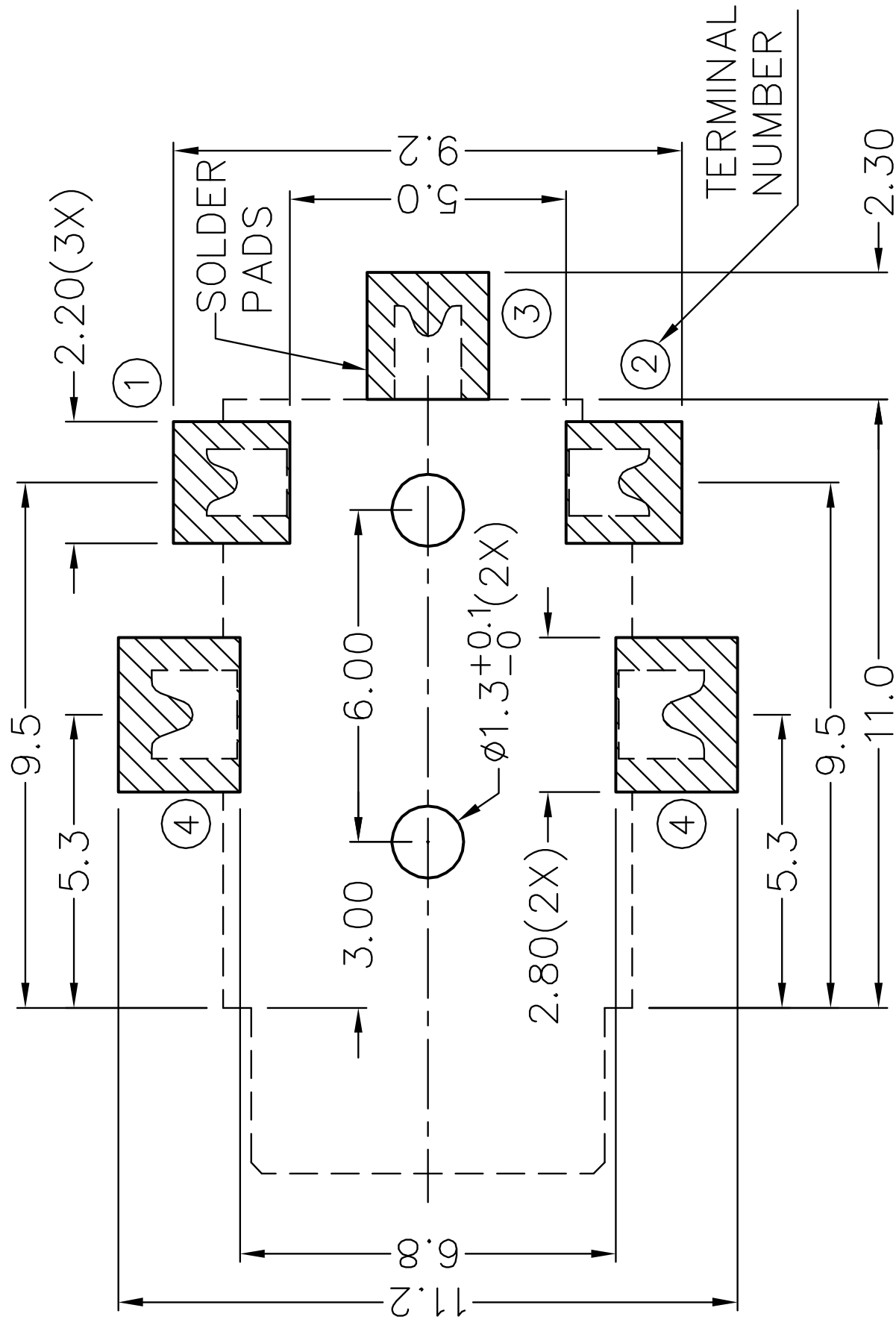
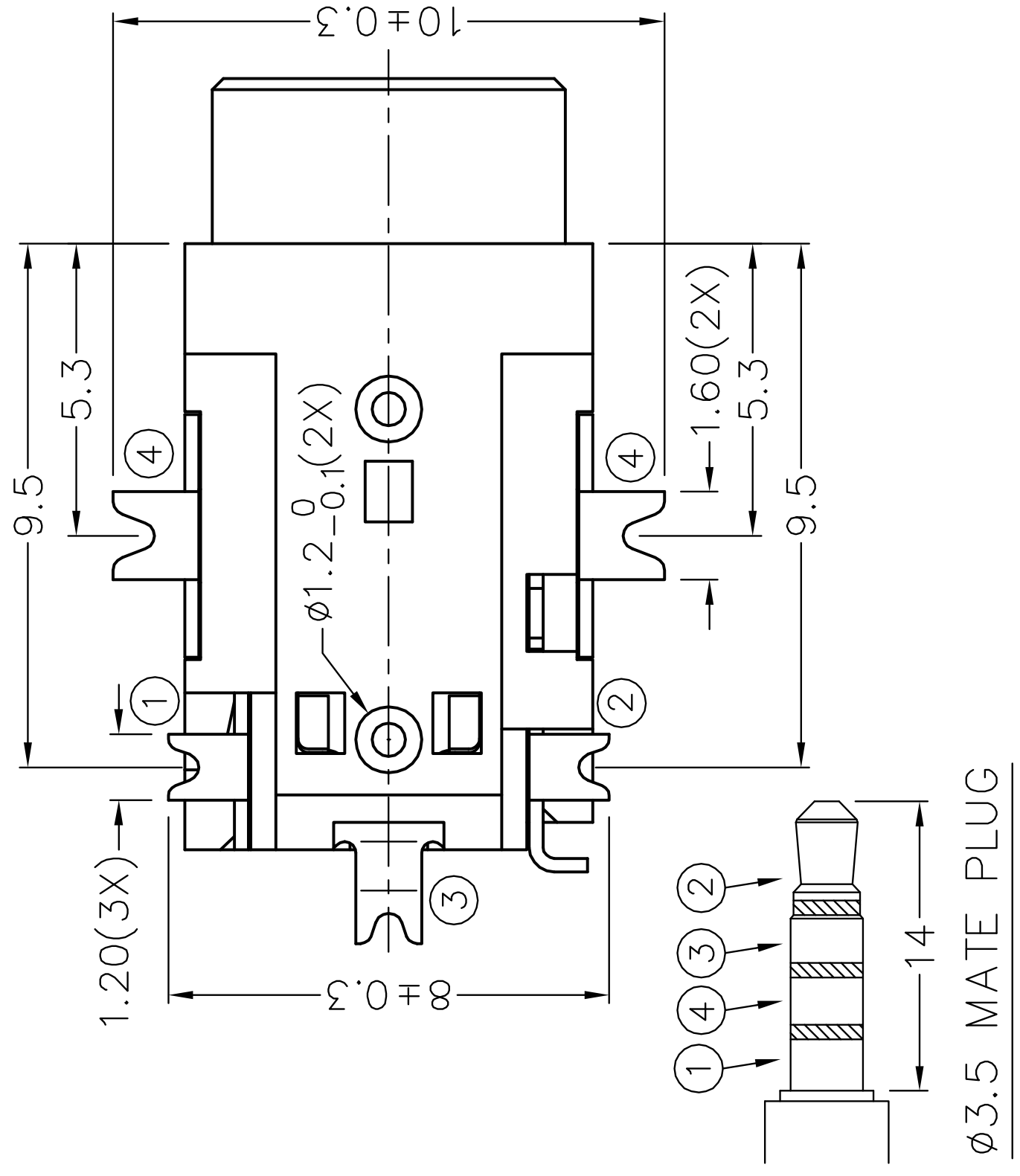
2

2



3

3



RECOMMENDED
SOLDER PAD LAYOUT

4

4

JOYNet Enterprise Co., Ltd.

DESIGN	T.Y.LI	DATE	19-9-2006	SCALE	4:1
DRAWING	T.Y.LI	DATE	1-12-2008	MATERIAL	*
CHECK		DATE		DWG. NO.	TZ\SH394D-PA6T/B
APPROVAL		DATE		SHEET	

PART NAME 3.5mm SMD STEREO JACK
TOLERANCE UNLESS 0.0±0.2
OTHERWISE SPECIFIED: 0.00±0.1
UNIT: mm

PART NO.	TSH-394D
----------	----------

F

E

D

C

B

A